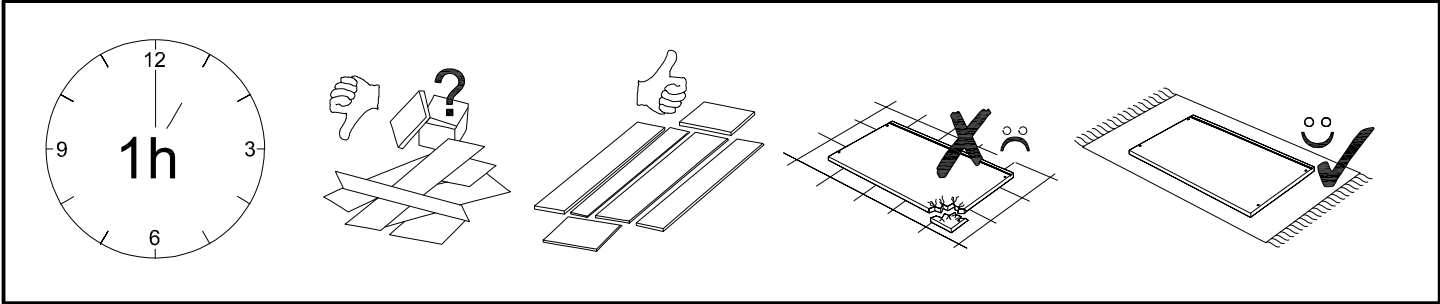


# HAVANA CONCRETE 90-100



#	S	B	S	Q
1	470	1005	22	1

