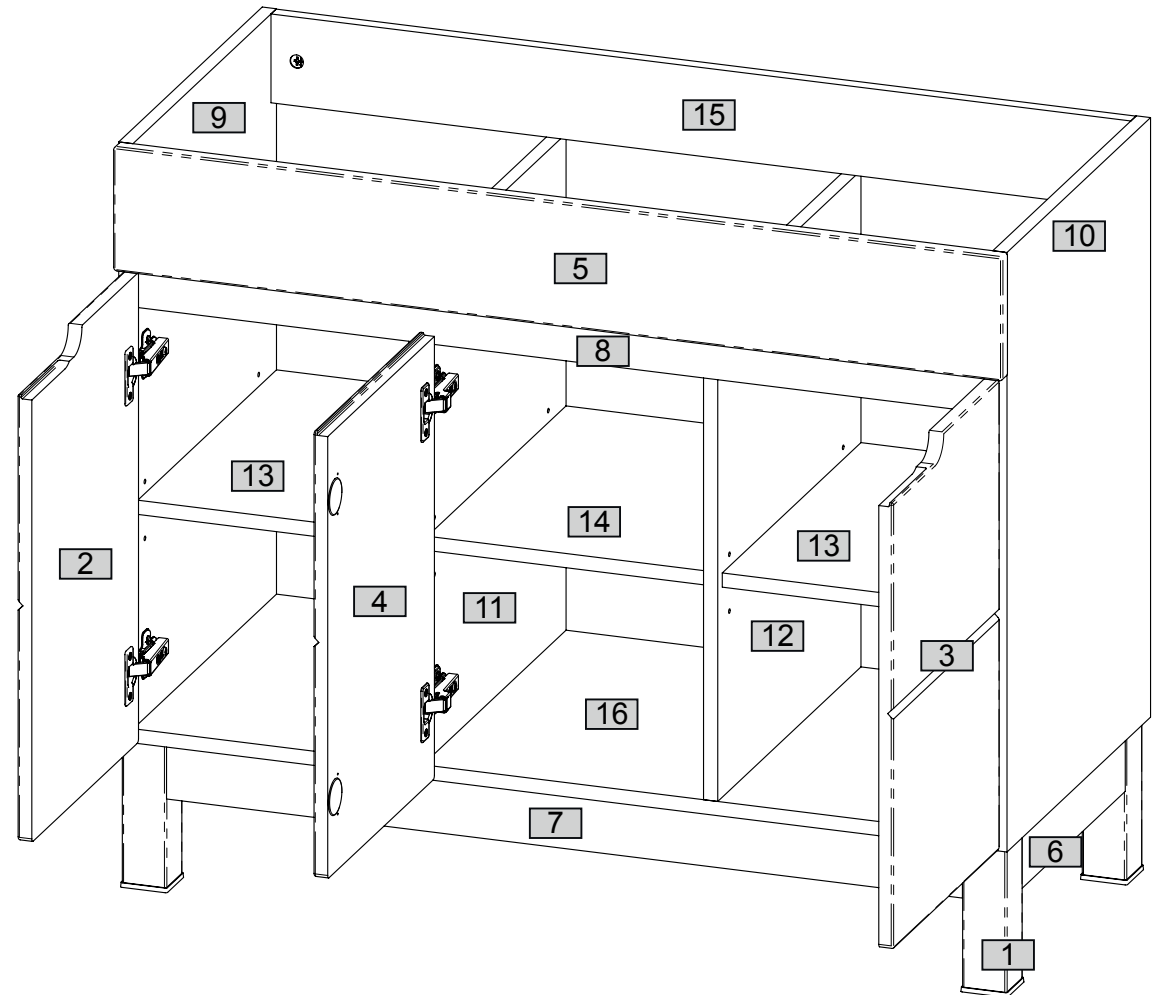
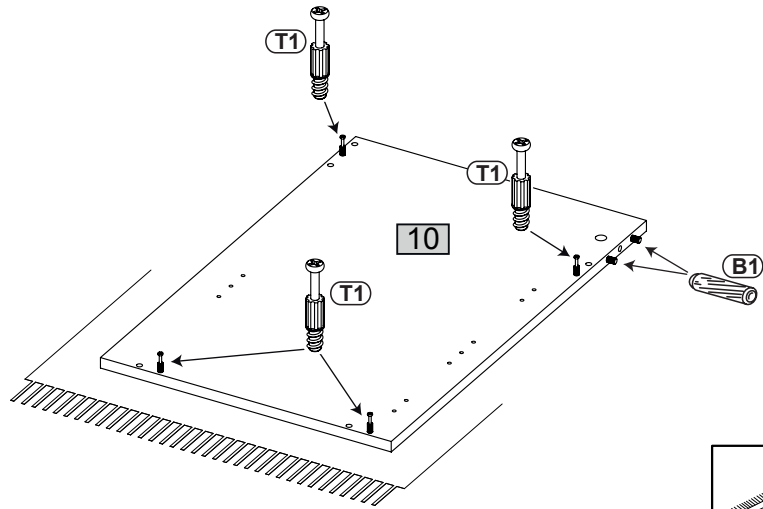
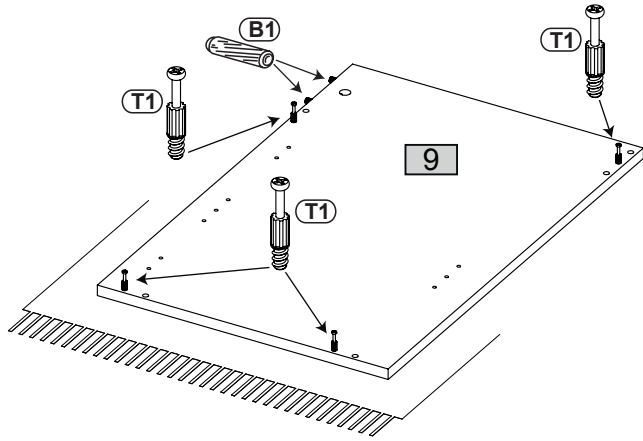
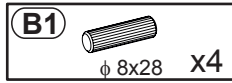
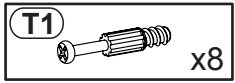


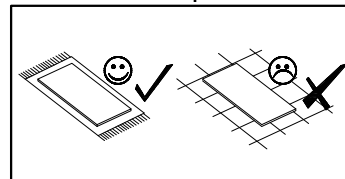
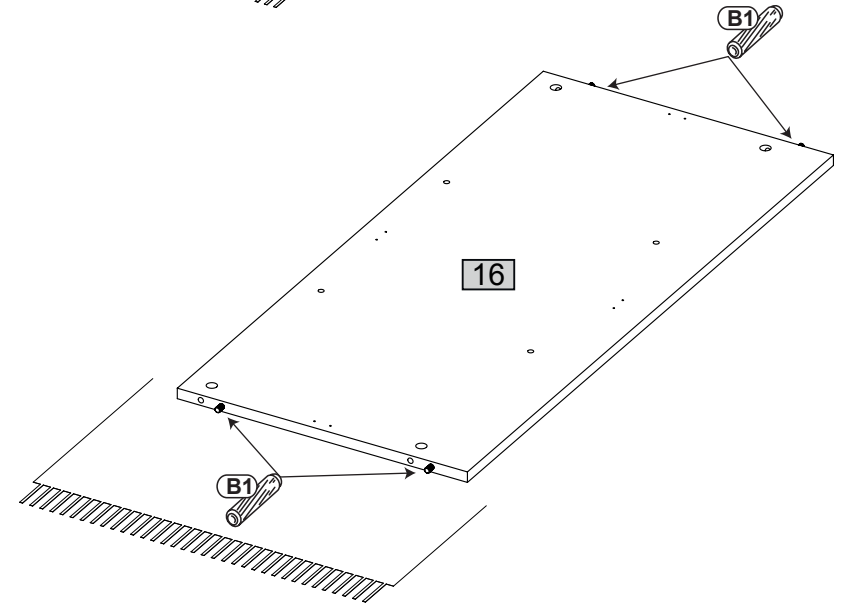
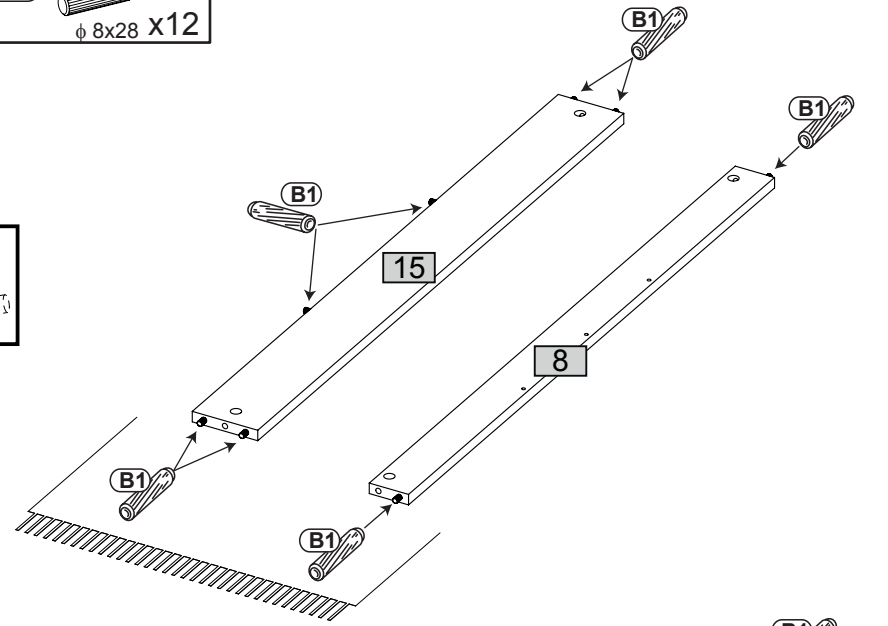
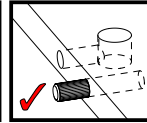
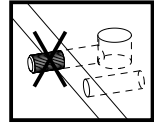
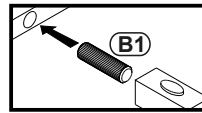
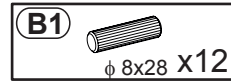
| Nr | Ausmaß | | | St |
|----|--------|-----|----|----|
| 1 | 160 | 50 | 50 | 4 |
| 2 | 330 | 529 | 16 | 1 |
| 3 | 330 | 529 | 16 | 1 |
| 4 | 330 | 502 | 16 | 1 |
| 5 | 1001 | 140 | 16 | 1 |
| 6 | 320 | 60 | 16 | 2 |
| 7 | 896 | 60 | 16 | 2 |
| 8 | 968 | 60 | 16 | 1 |
| 9 | 675 | 444 | 16 | 1 |
| 10 | 675 | 444 | 16 | 1 |
| 11 | 559 | 443 | 16 | 1 |
| 12 | 559 | 443 | 16 | 1 |
| 13 | 310 | 429 | 16 | 2 |
| 14 | 316 | 429 | 16 | 1 |
| 15 | 968 | 100 | 16 | 1 |
| 16 | 968 | 443 | 16 | 1 |



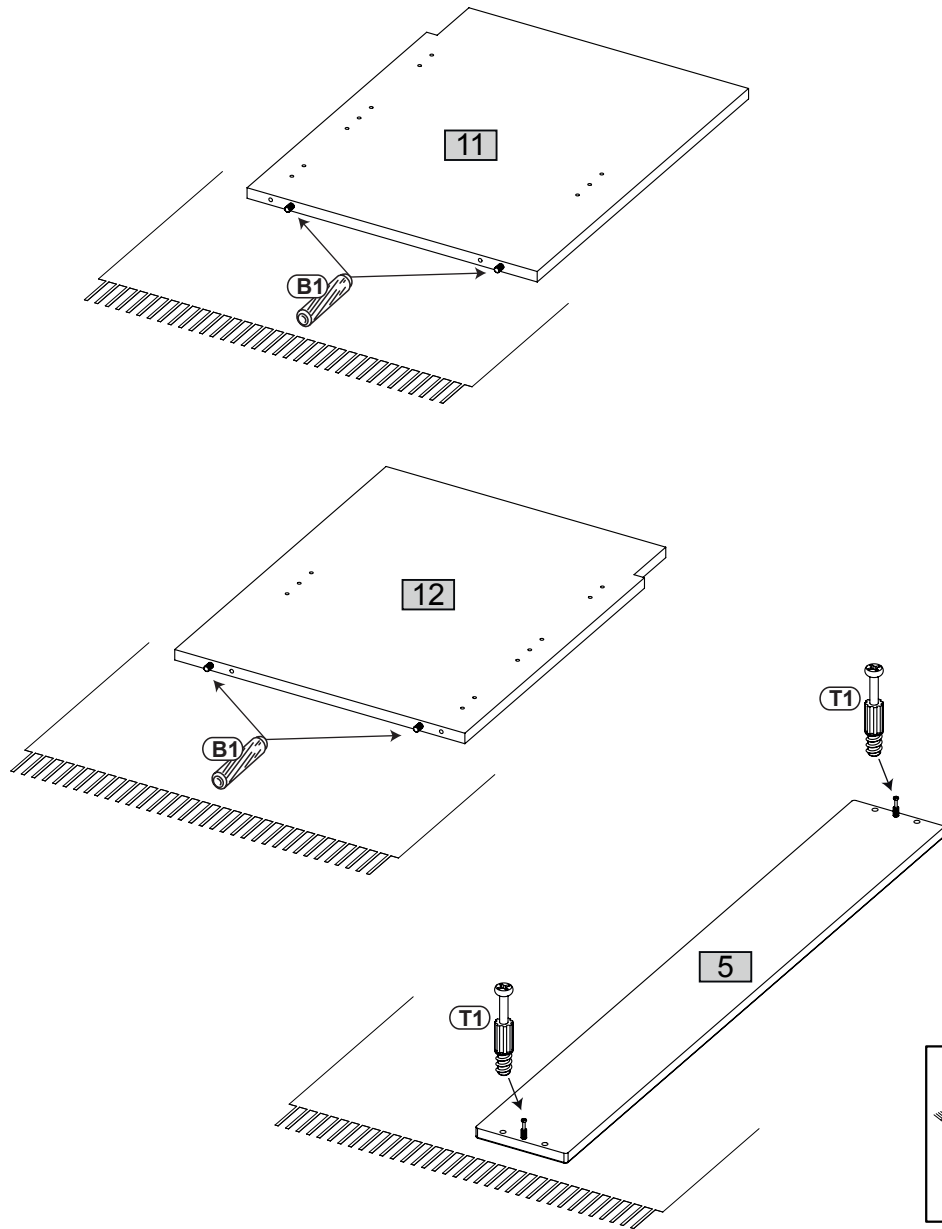
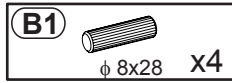
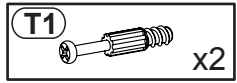
1



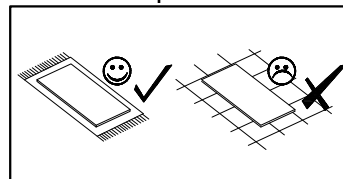
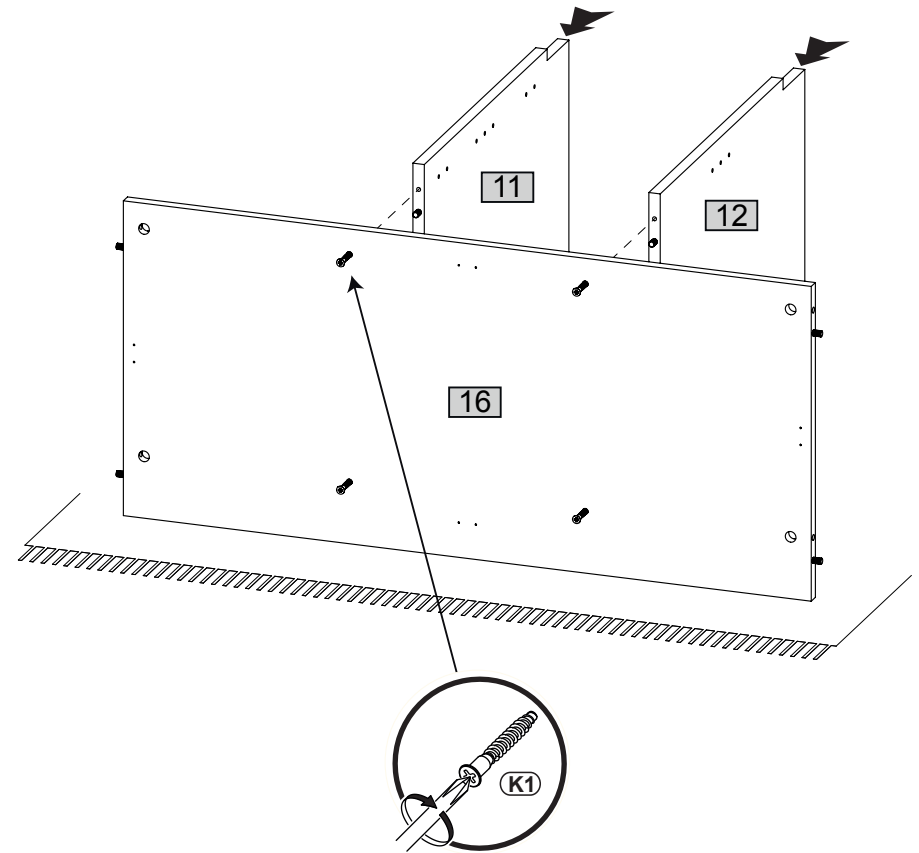
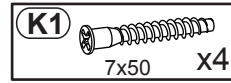
2



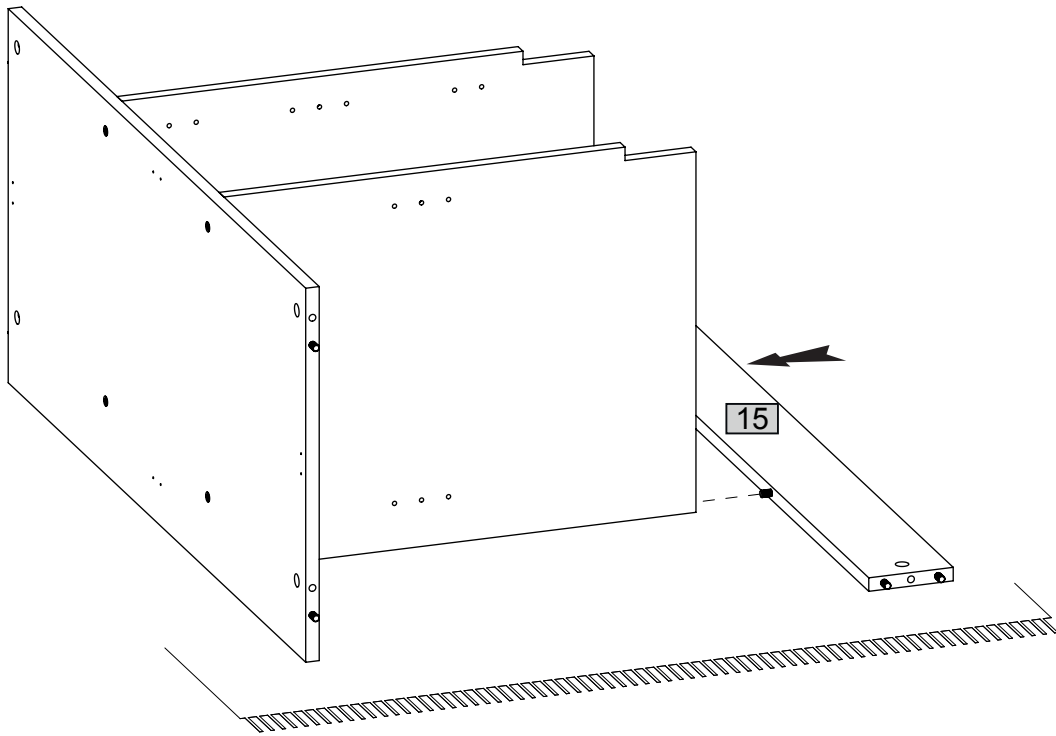
3



4

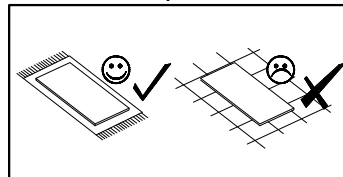
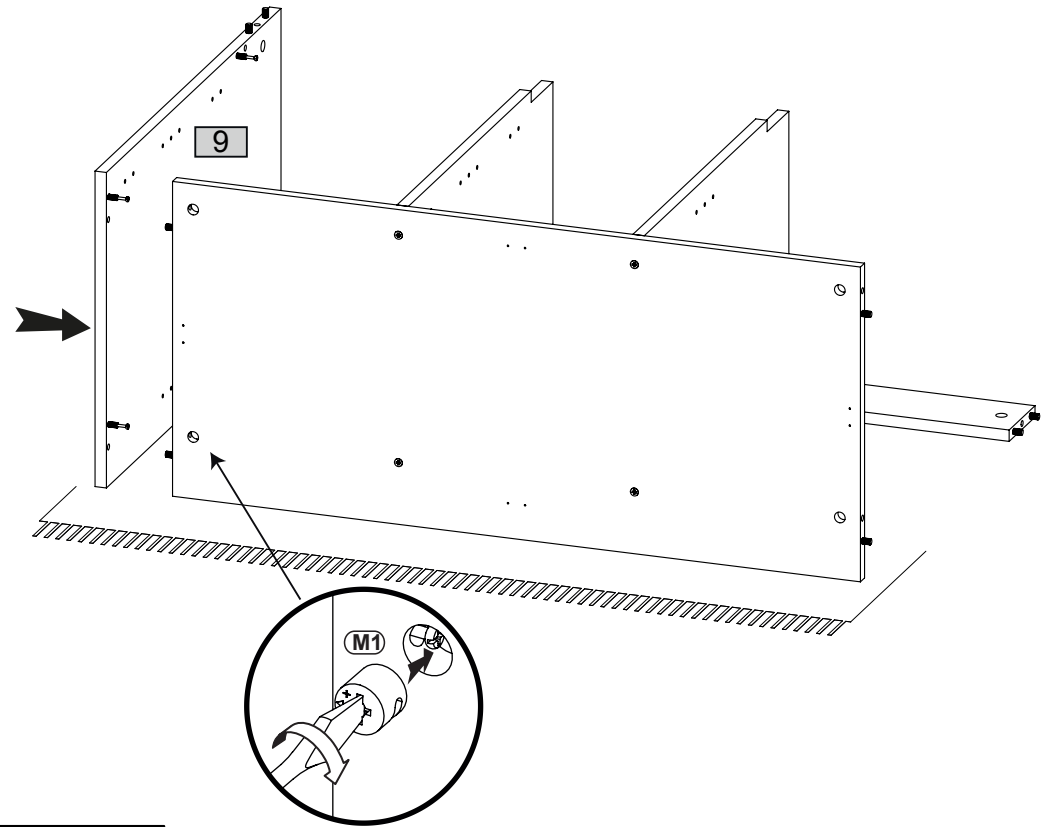


5

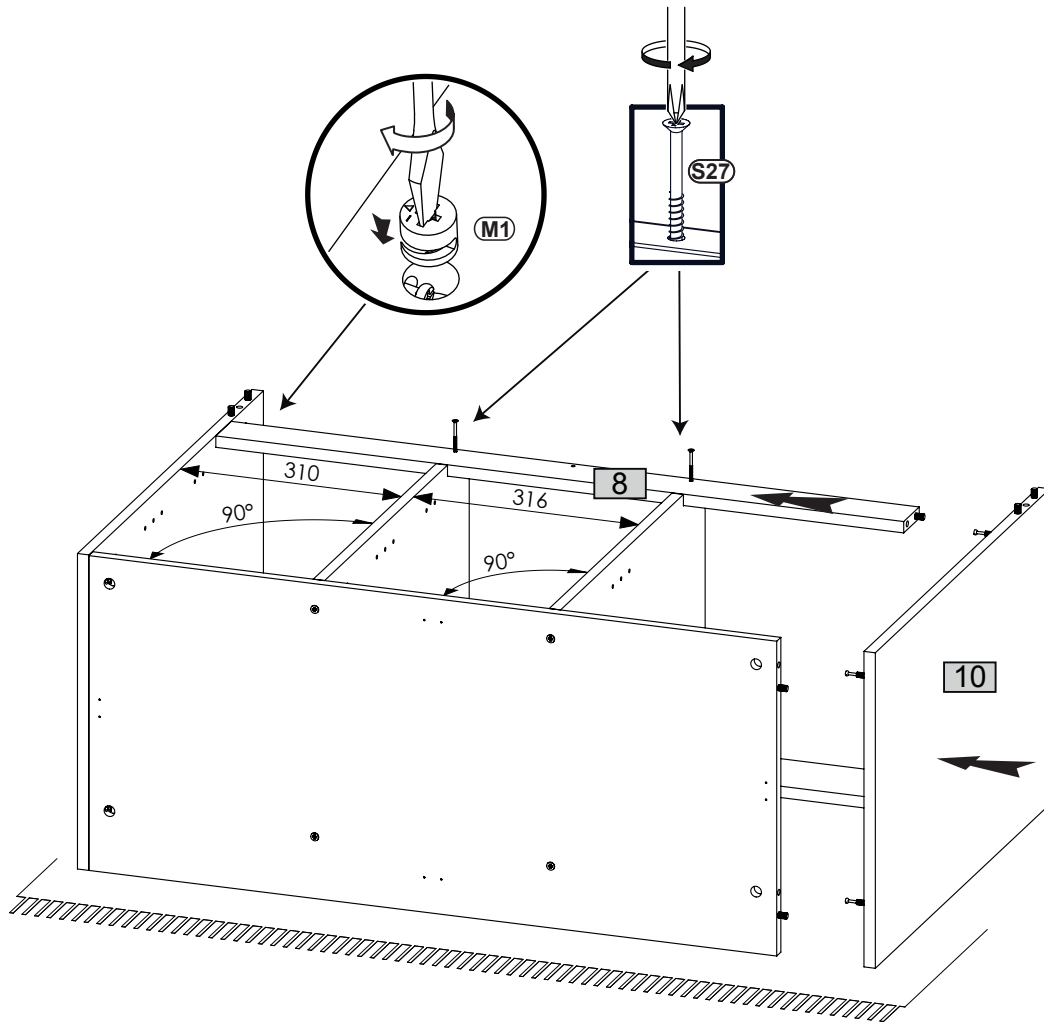
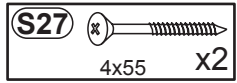


6

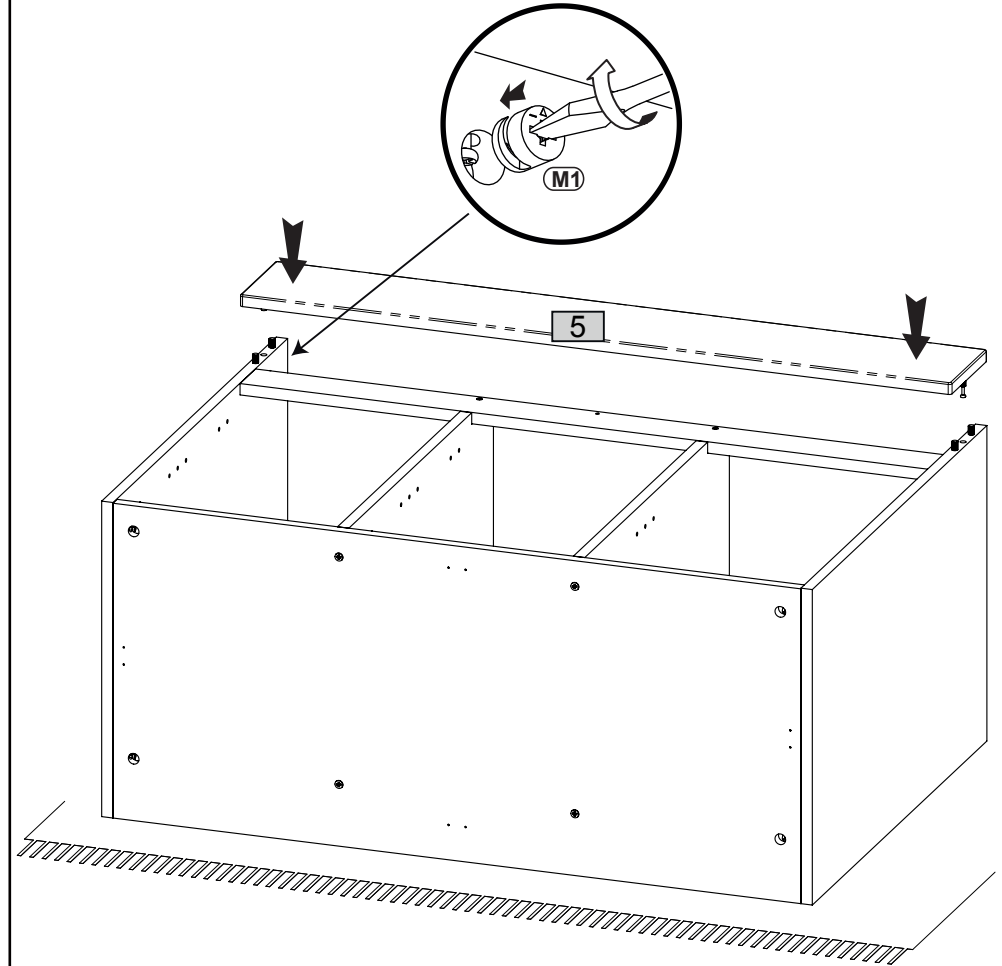
M1  x3



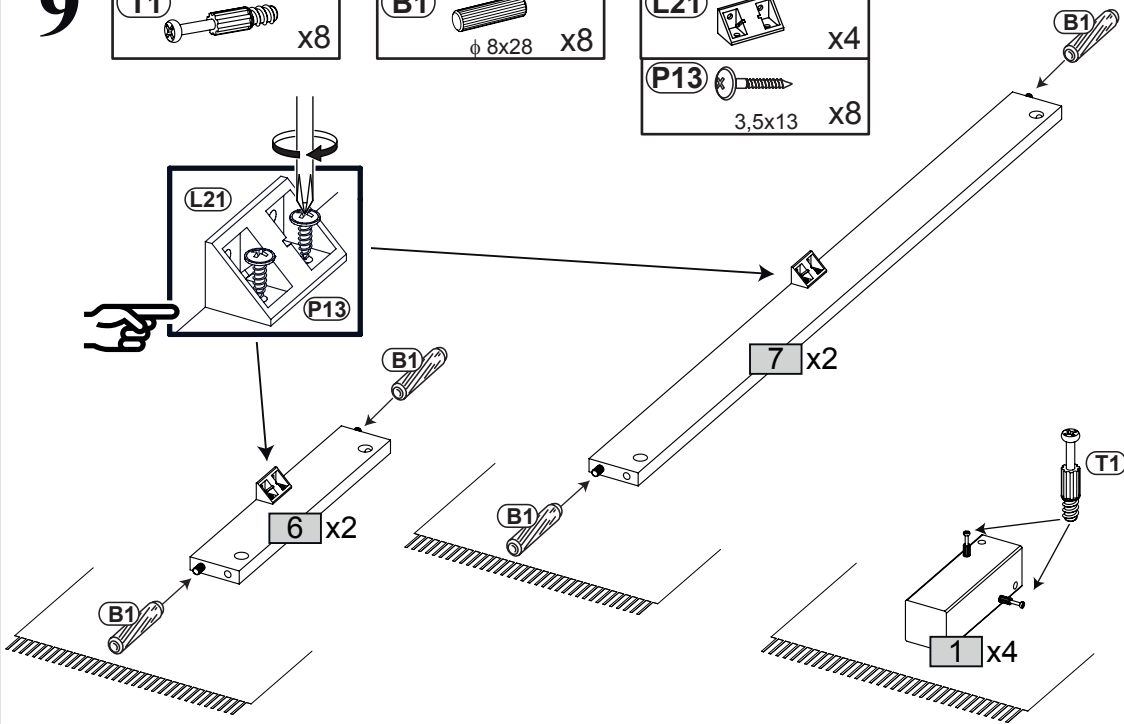
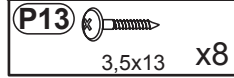
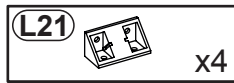
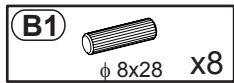
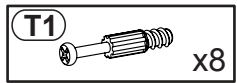
7



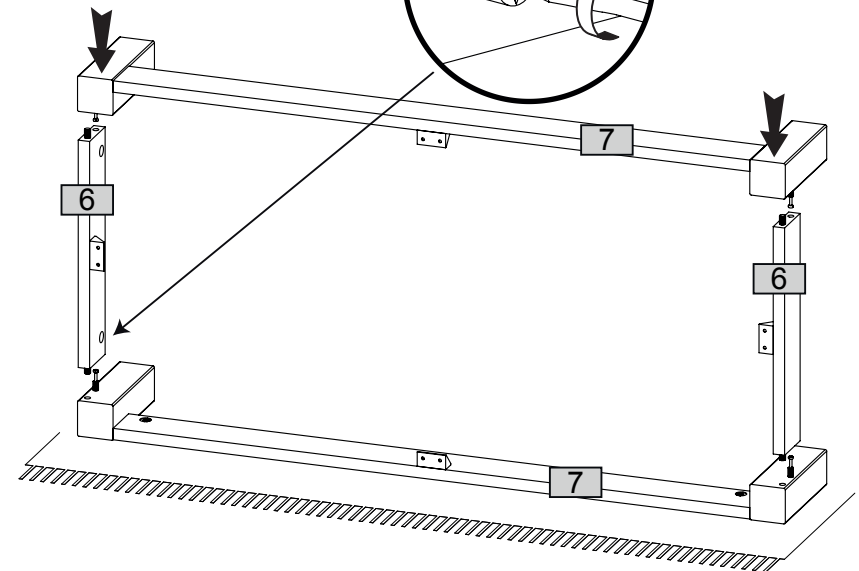
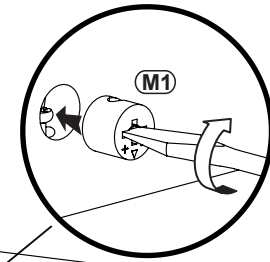
8



9



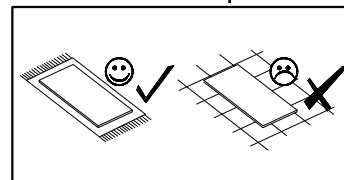
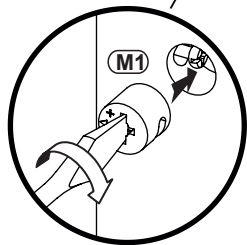
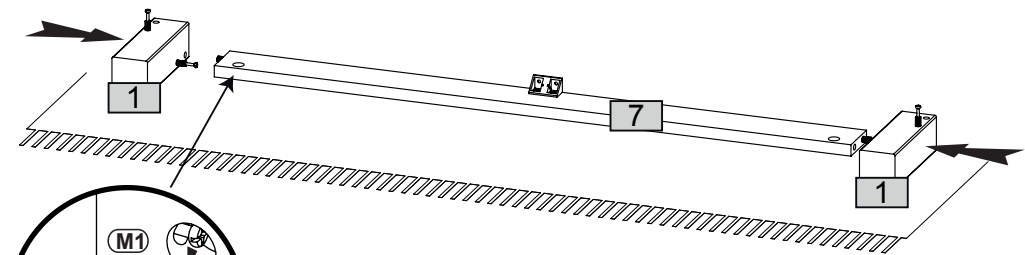
11



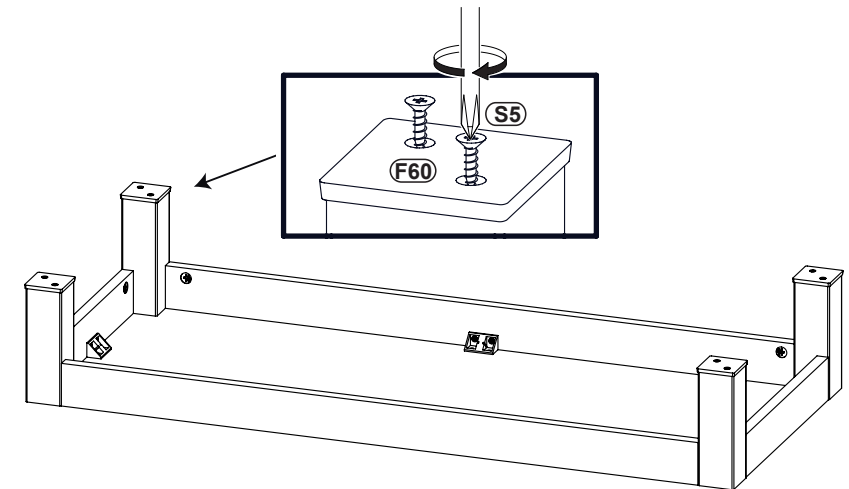
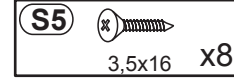
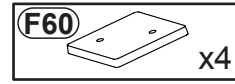
10



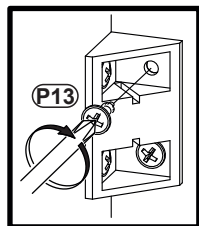
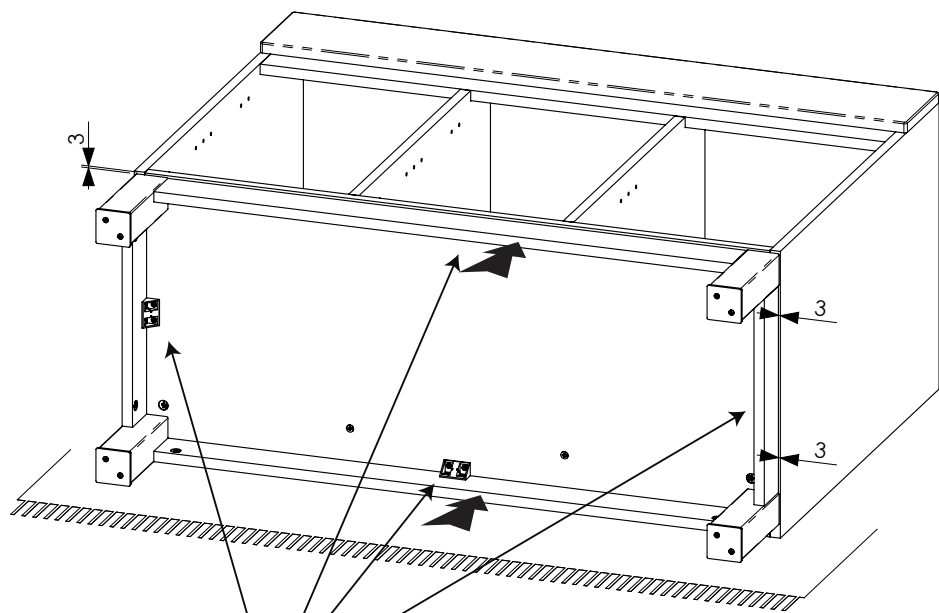
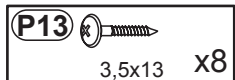
x2



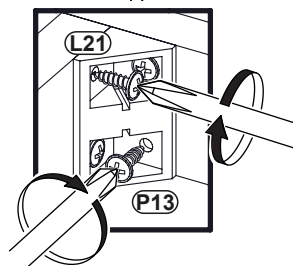
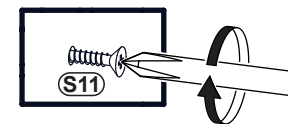
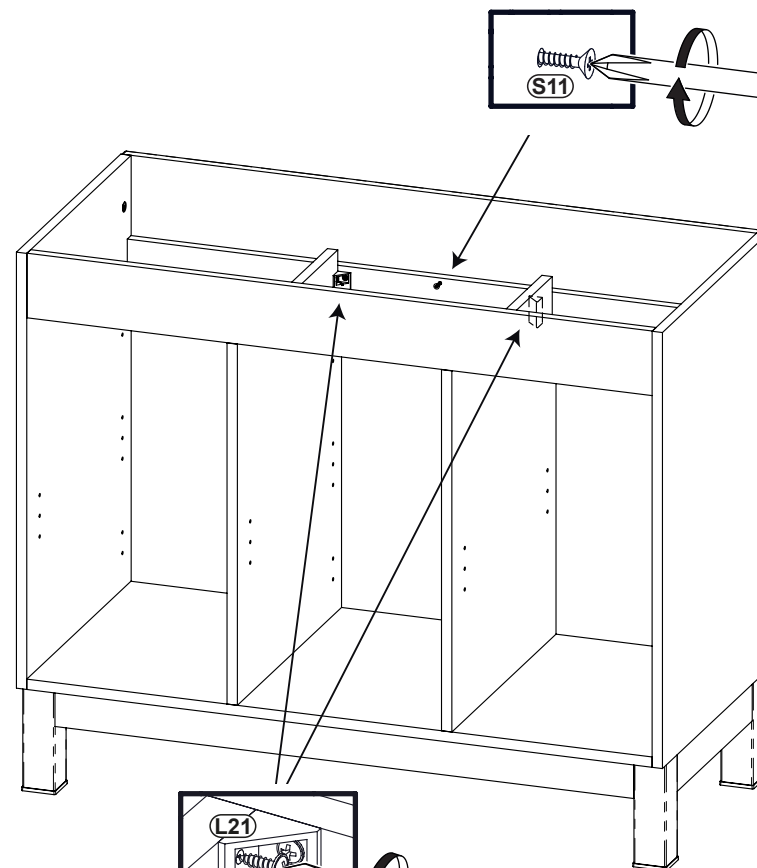
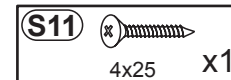
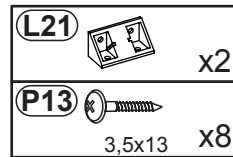
12



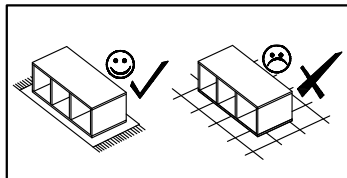
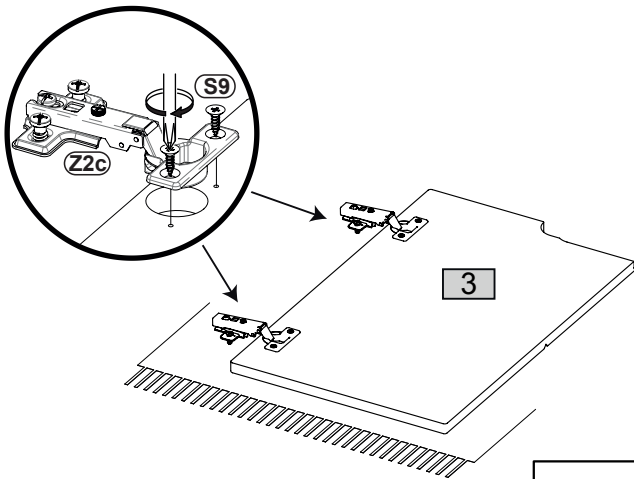
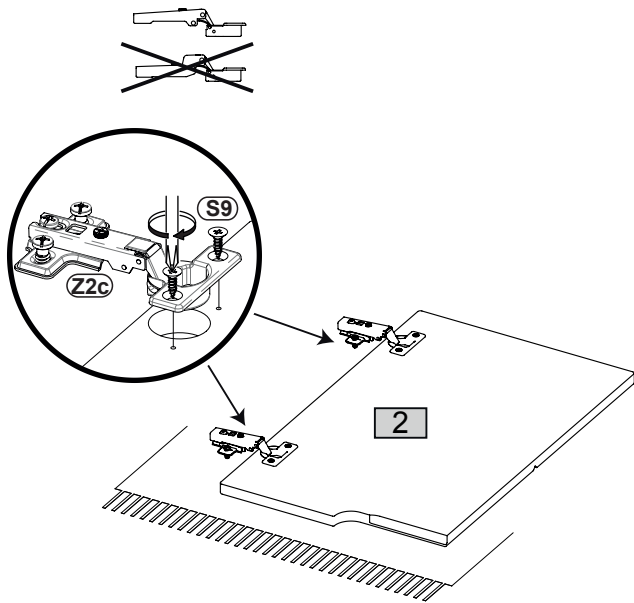
13



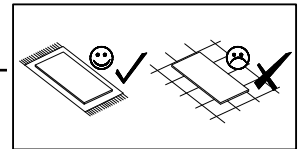
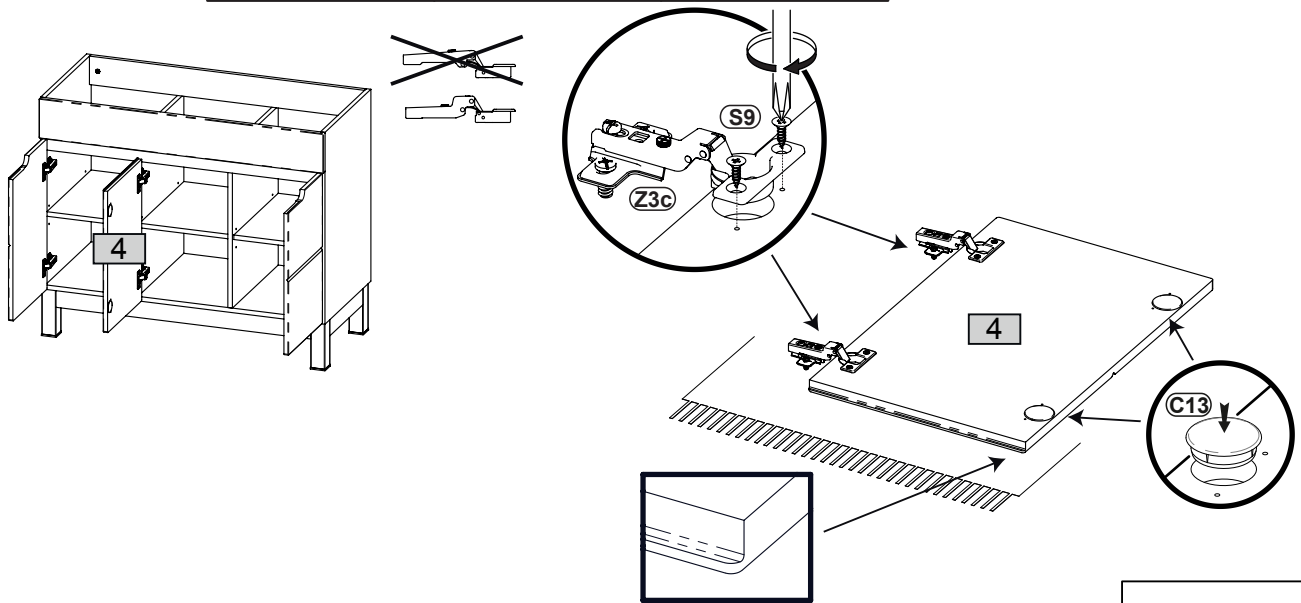
14



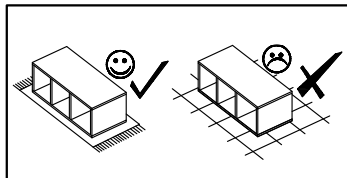
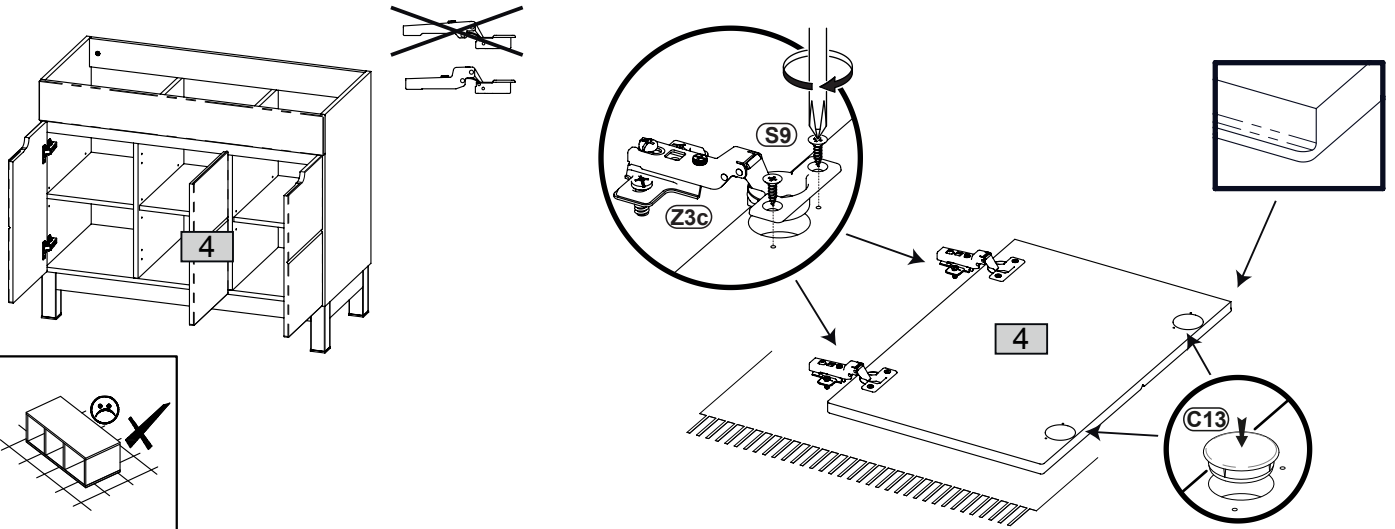
15 Z2c x2 S9 4x16 x4



16L Z3c x2 S9 4x16 x4 C13 φ 35 x2



16R Z3c x2 S9 4x16 x4 C13 φ 35 x2



17

