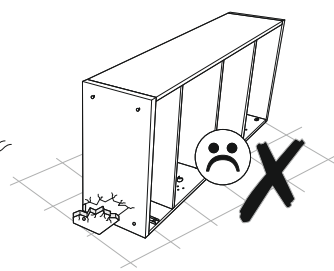
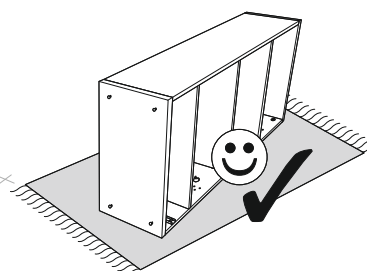
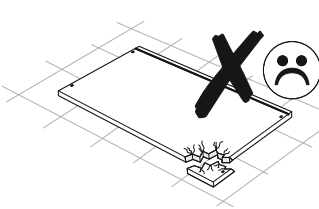
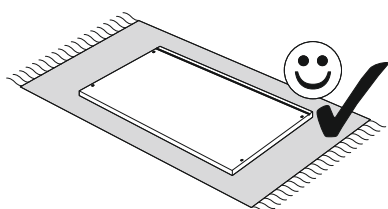
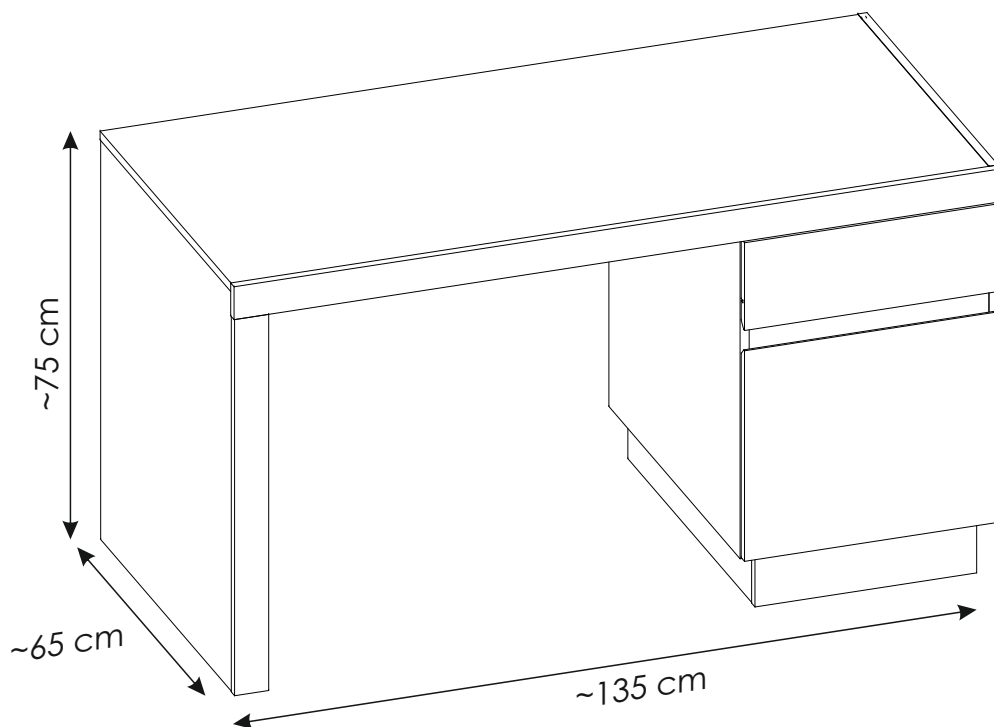
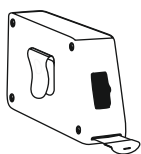
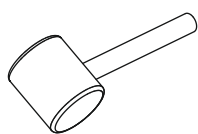
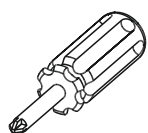
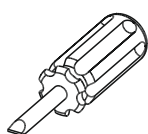
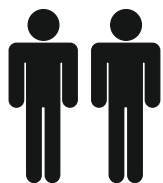
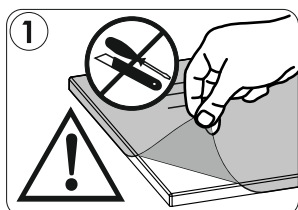
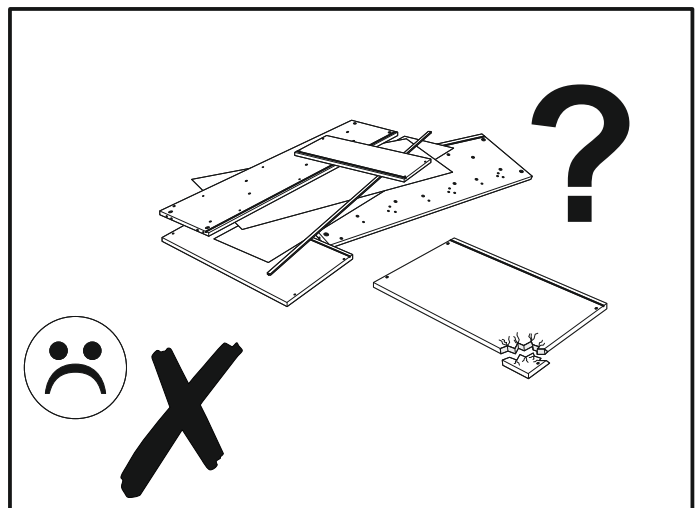
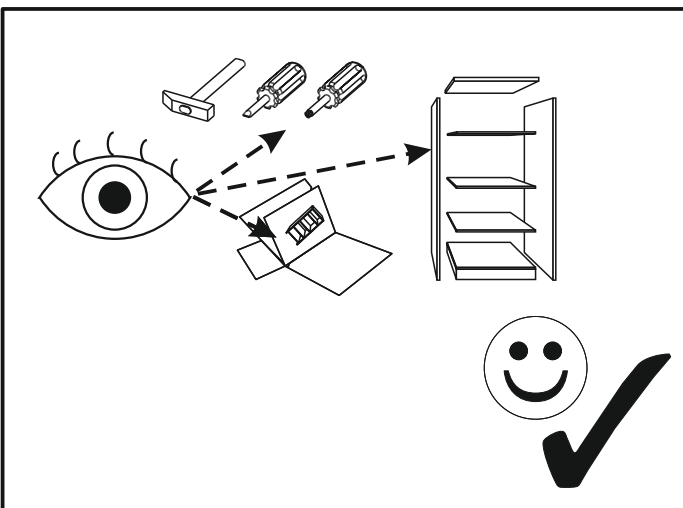
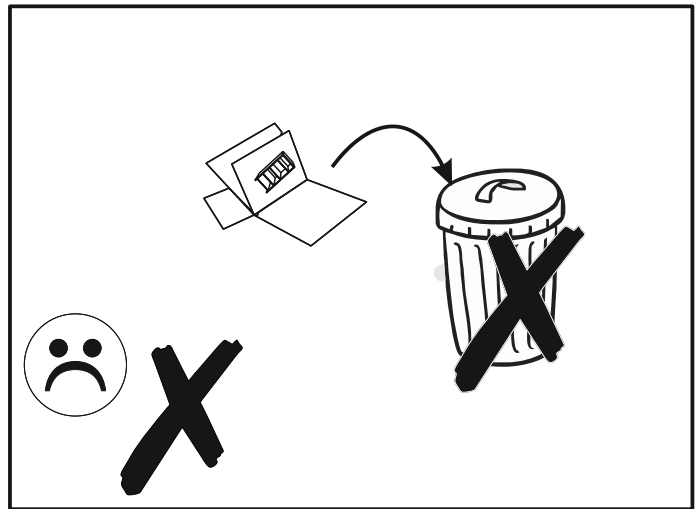
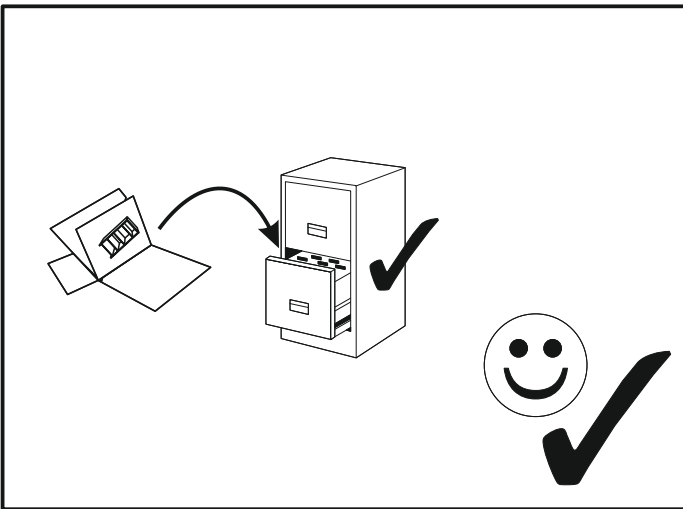
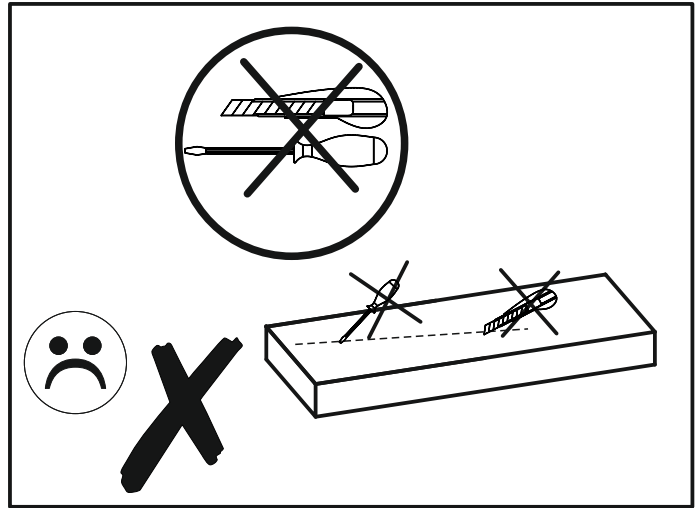
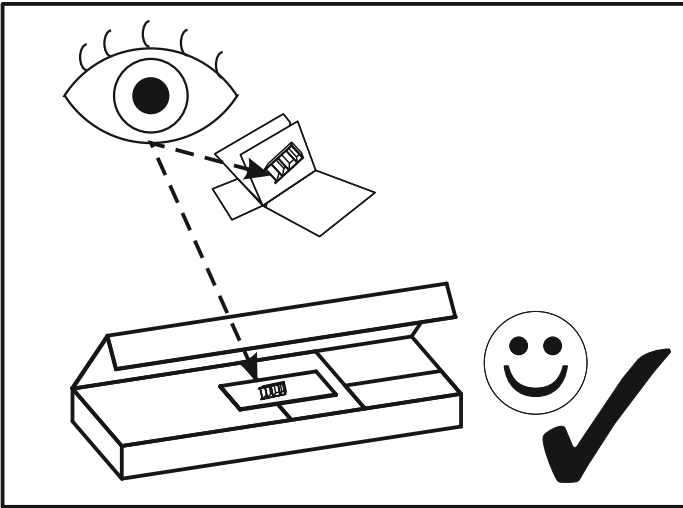


# LYOB01



70 min

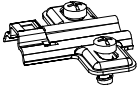




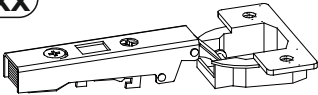


version A

BCxx

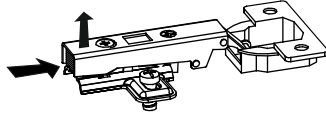


BCxx



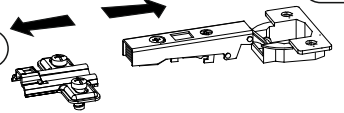
version B

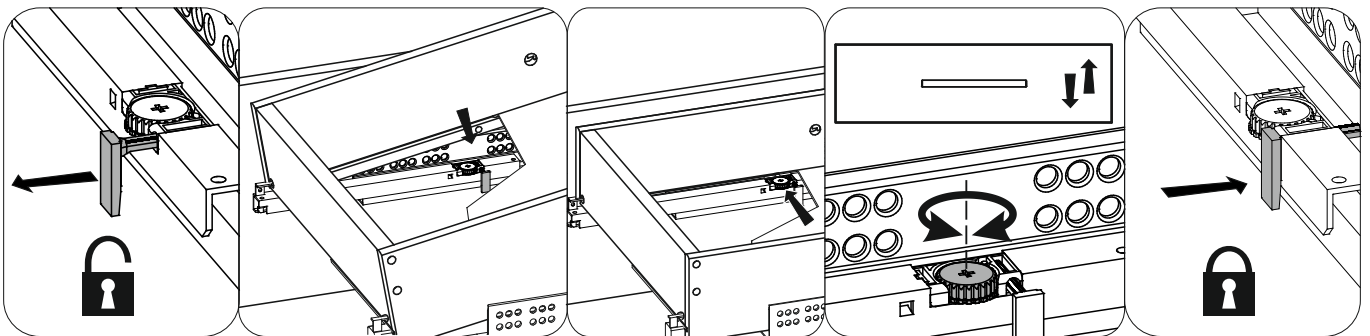
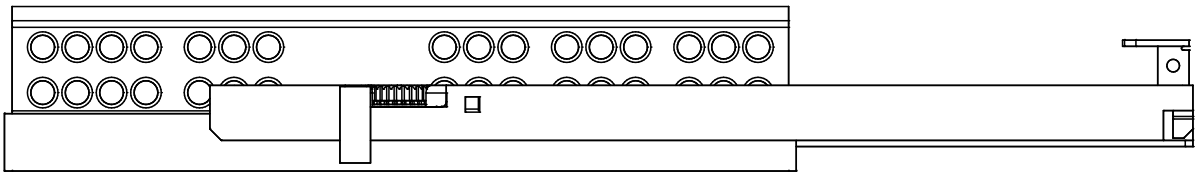
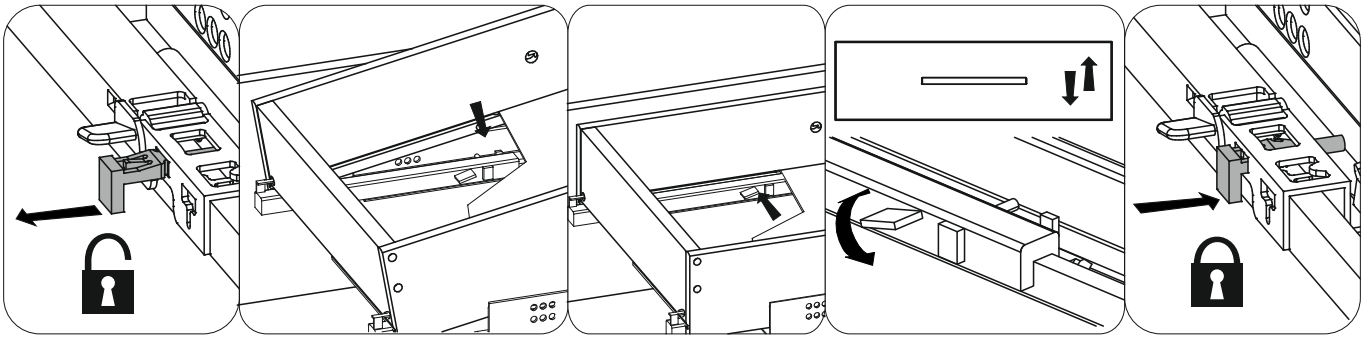
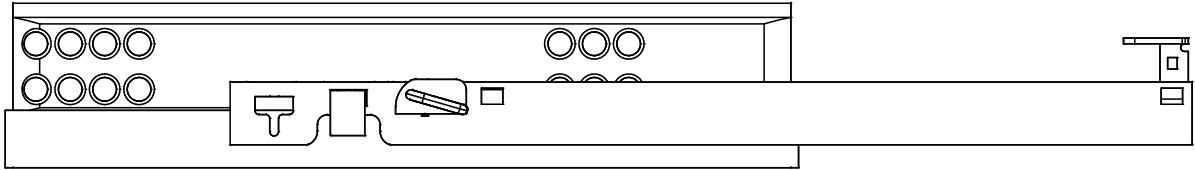
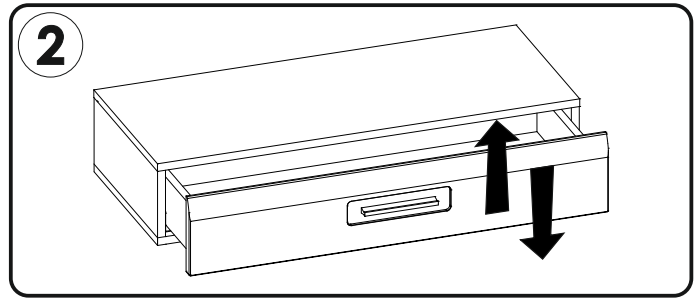
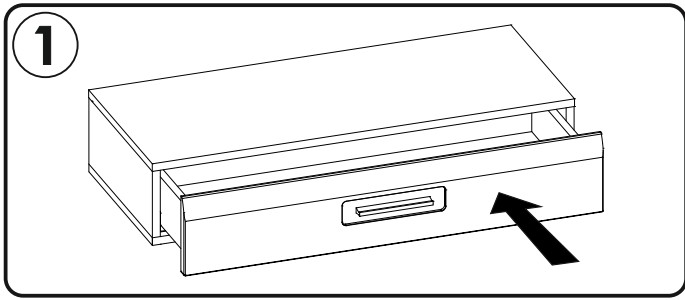
BCxx + BCxx



BCxx

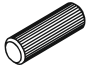

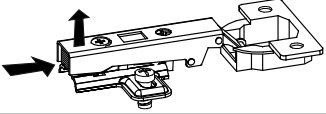


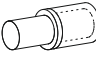
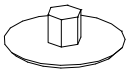

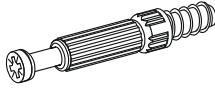

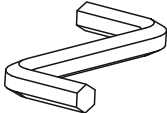
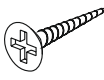
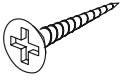
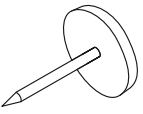
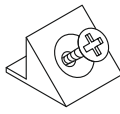
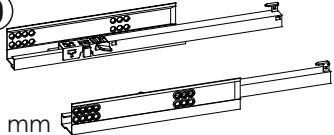
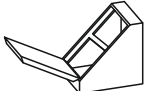
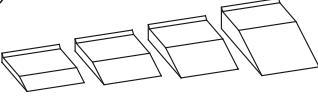
BCxx

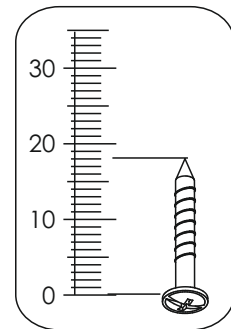
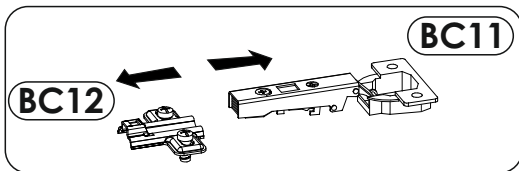




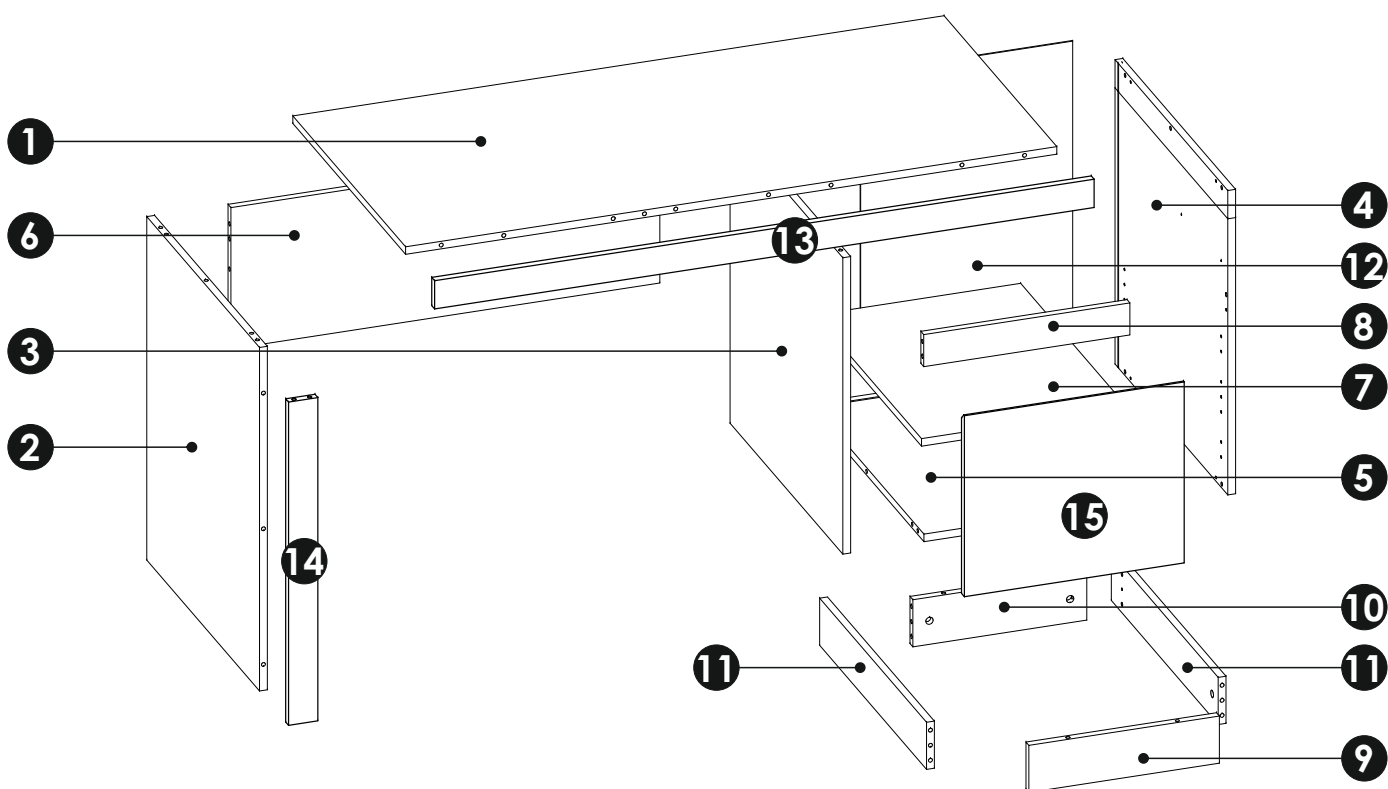
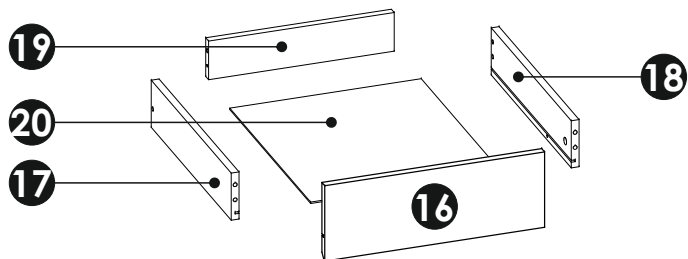
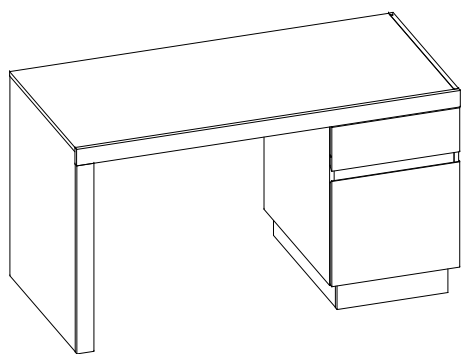
# LYOB01

MM

<b>A1</b> 8 x 35 mm x42 	<b>A2</b> 8 x 45 mm x2 	<b>BC12 + BC11</b> x2 
<b>C1</b> 4 x 13 mm x4 	<b>C2</b> 5 x 13 mm x4 	<b>D2</b> x4 
<b>E0</b> Ø16 x16 	<b>E1</b> 15 x 12 mm x31 	<b>F1</b> 6 x 34 mm x31 
<b>G1</b> 7 x 50 mm x2 	<b>M</b> x1 	<b>N1</b> 3 X 16 mm x5 
<b>N2</b> 3.5 X 16 mm x12 	<b>O2</b> x6 	<b>R4</b> x9 
<b>T10</b> x1  L- 460 mm	<b>W</b> x6 	<b>Z</b> x1 



# LYOB01



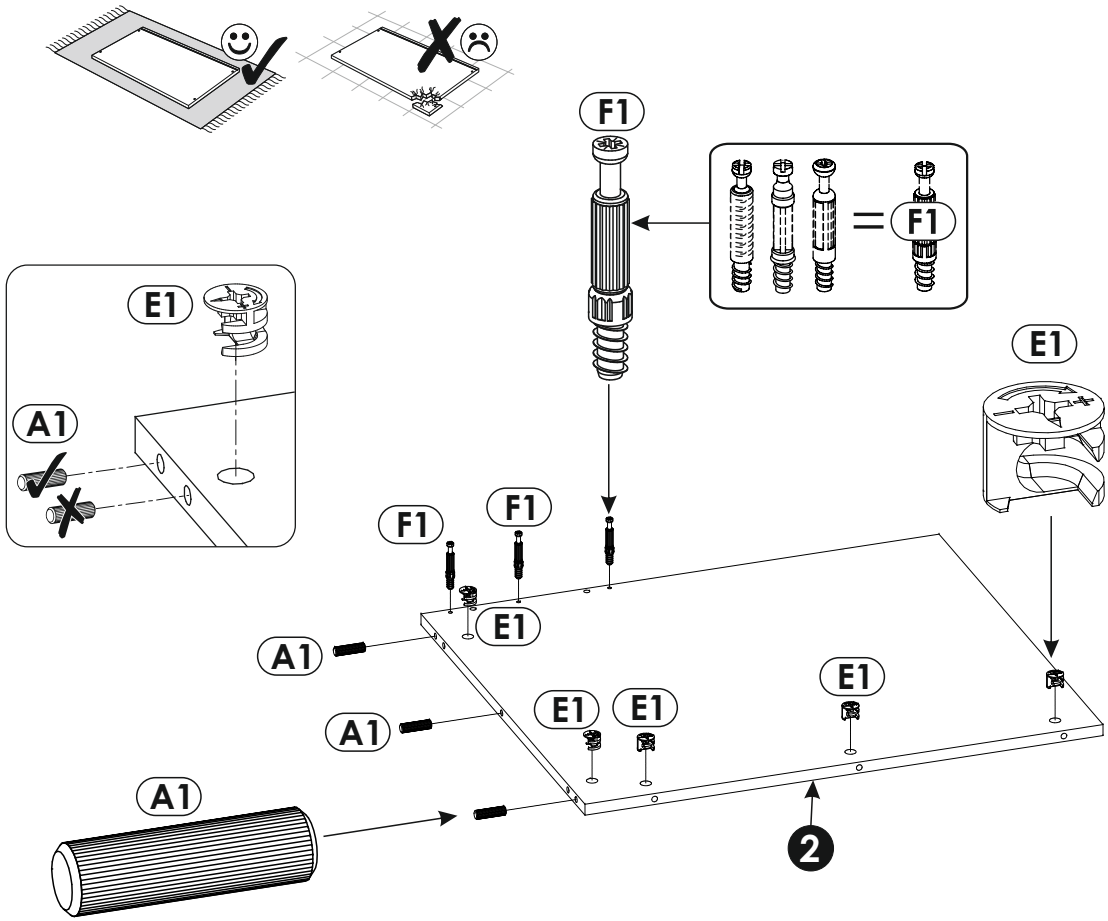
1	1333	634	16	x1	2/2
2	729	634	16	x1	2/2
3	629	634	16	x1	2/2
4	646	634	16	x1	2/2
5	422	634	16	x1	2/2
6	878	300	16	x1	1/2
7	421	599	16	x1	1/2
8	422	68	16	x1	1/2

9	390	100	16	x1	1/2
10	356	100	16	x1	1/2
11	601	100	16	x2	2/2
12	625	434	3	x1	1/2
13	1350	60	16	x1	1/2
14	686	60	16	x1	1/2
15	450	384	16	x1	1/2
16	450	160	16	x1	1/2

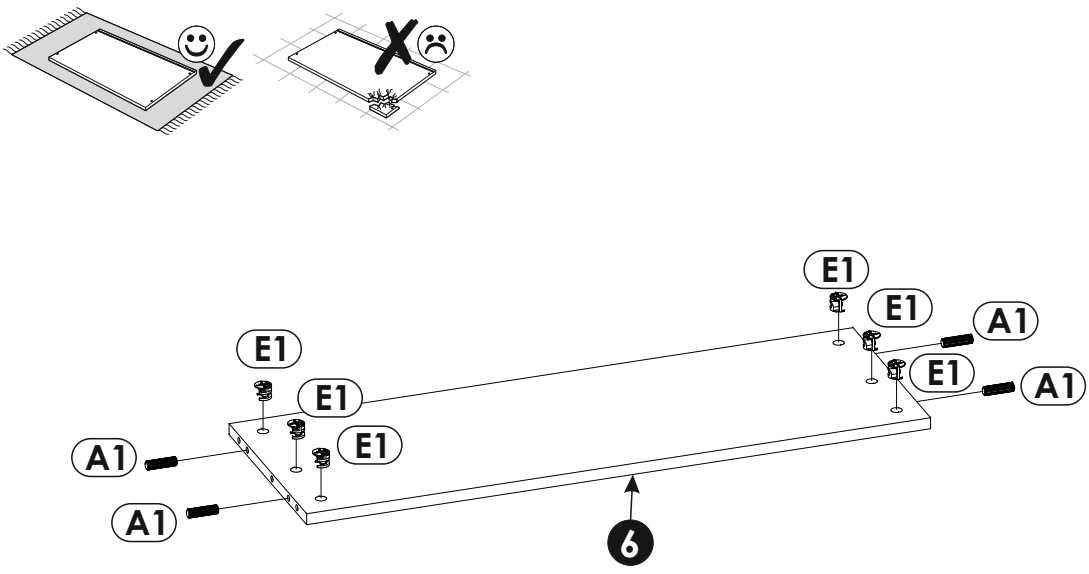
17	450	100	16	x1	1/2
18	450	100	16	x1	1/2
19	380	82	16	x1	1/2
20	392	455	3	x1	1/2



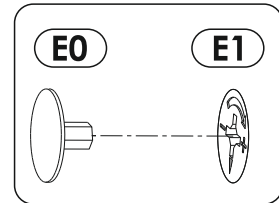
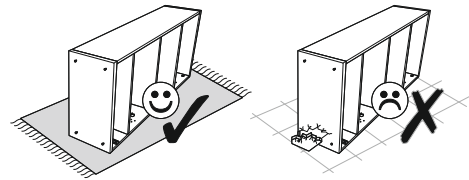
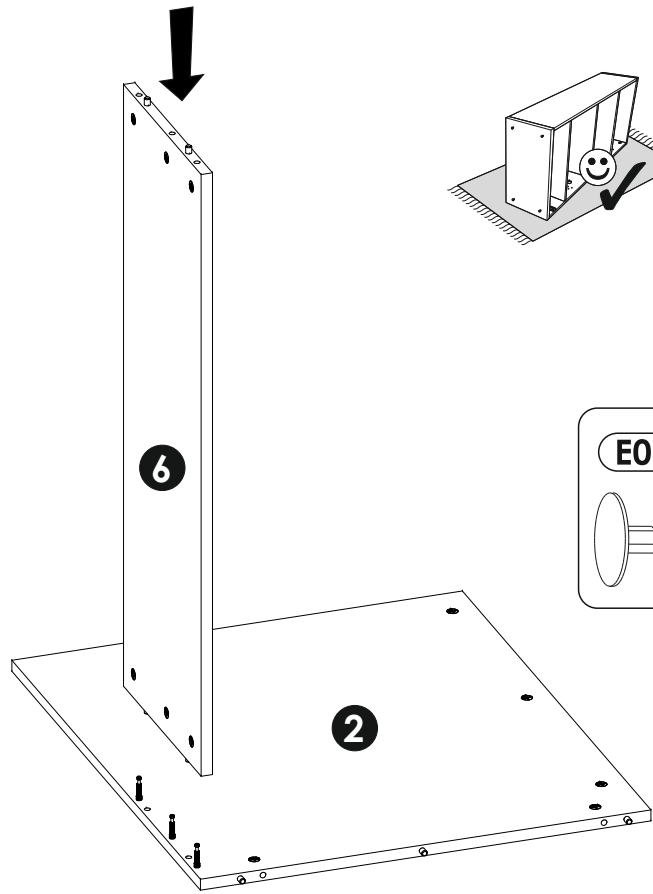
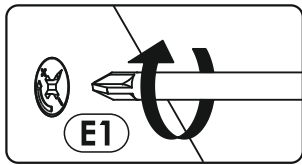
1 ▶



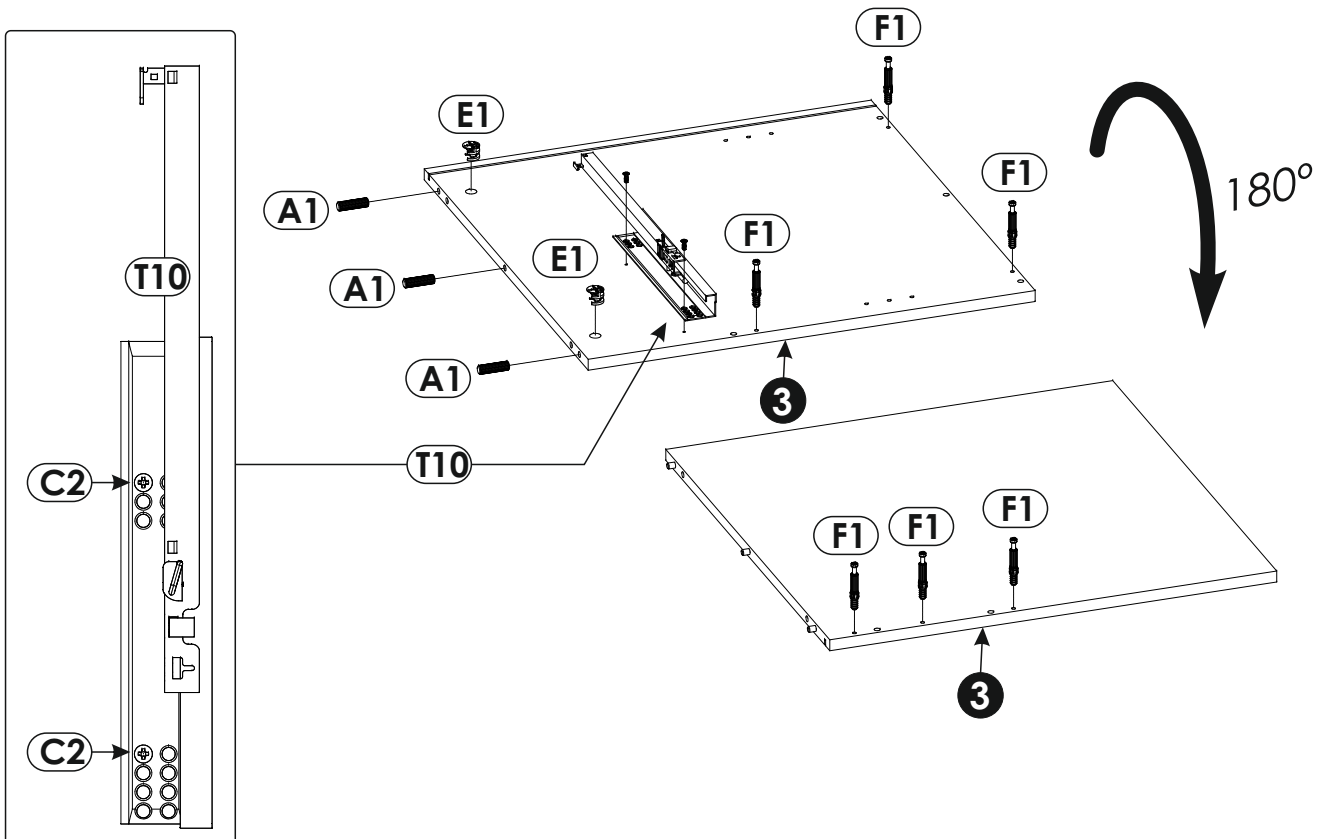
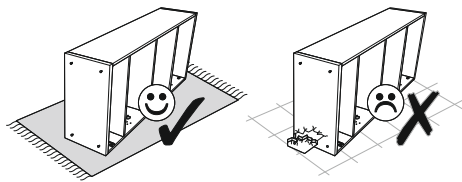
2 ▶



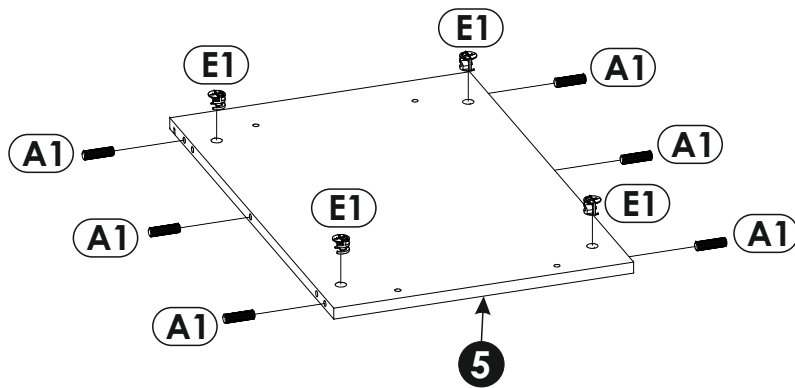
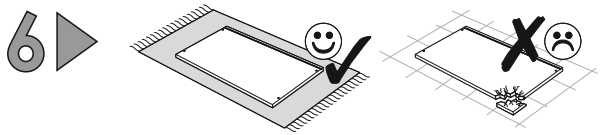
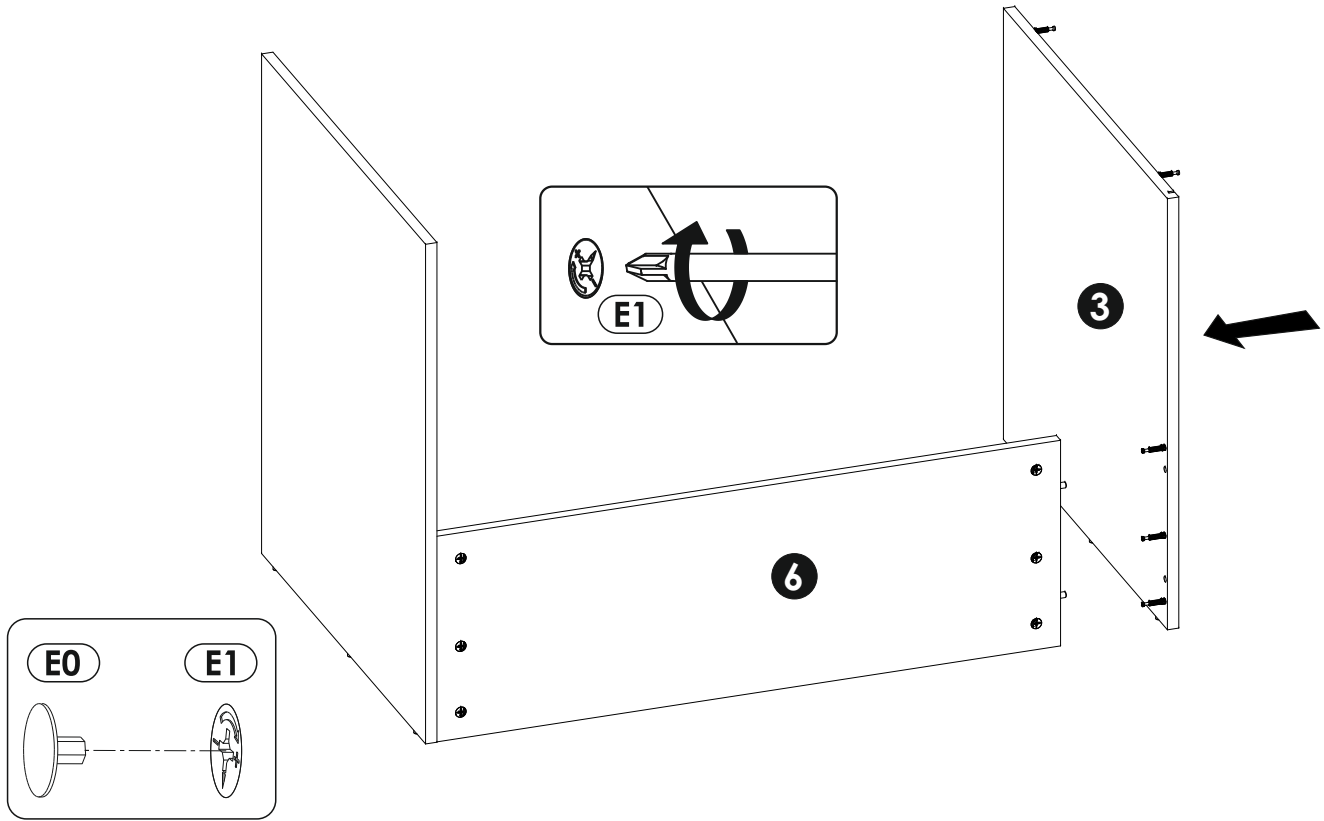
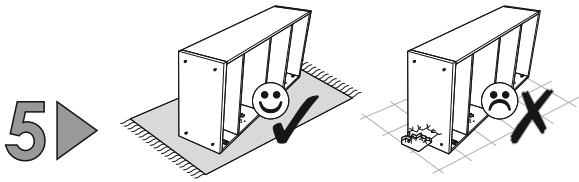
3 ▶

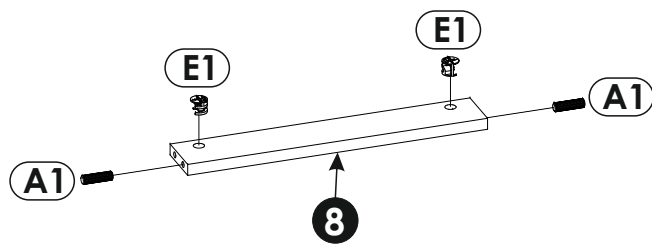
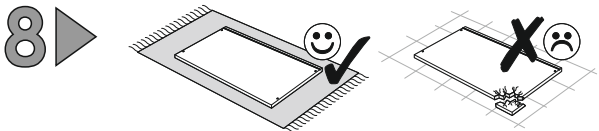
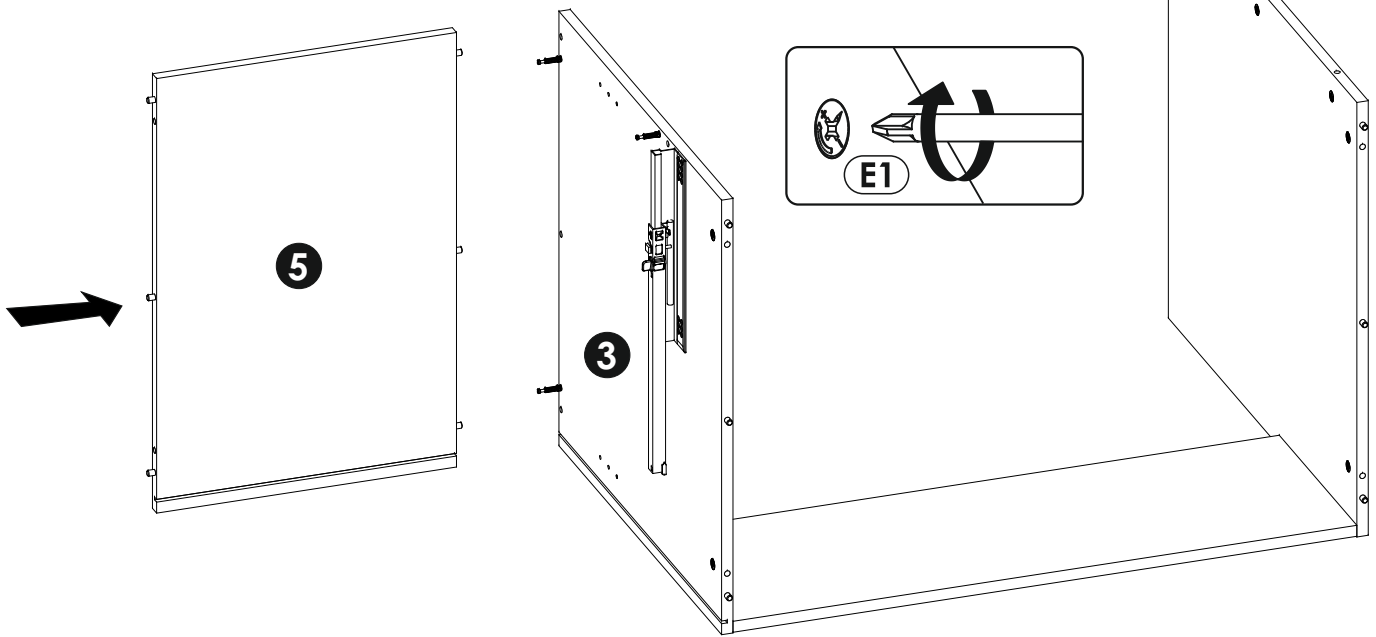
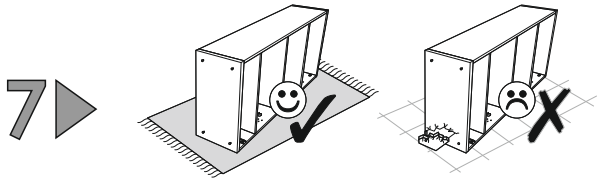


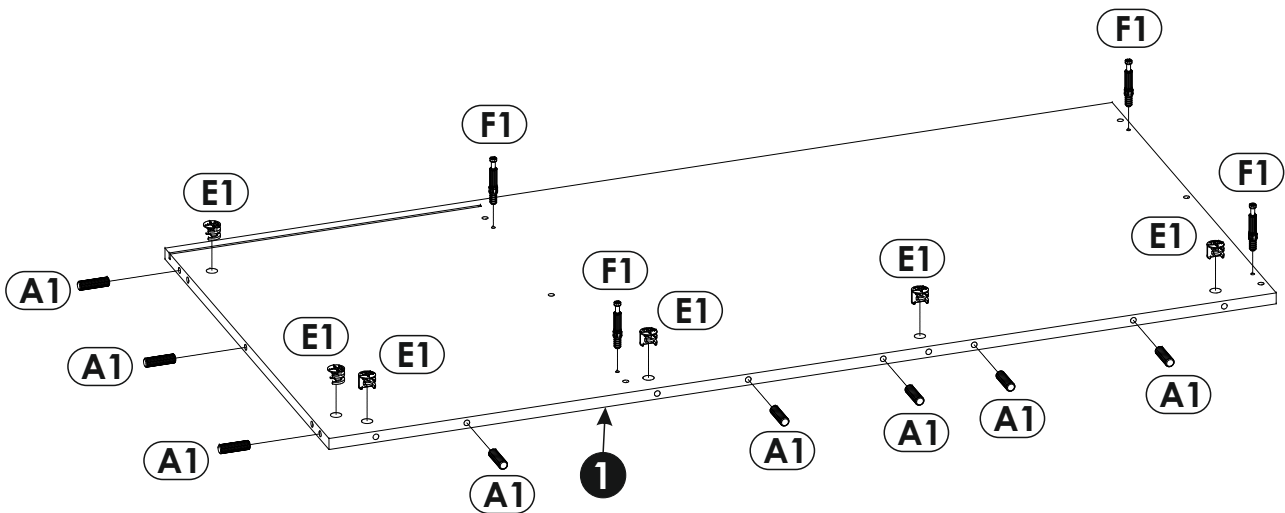
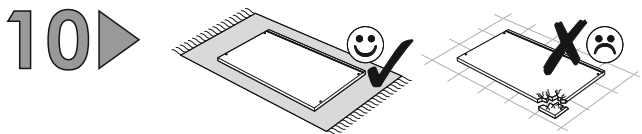
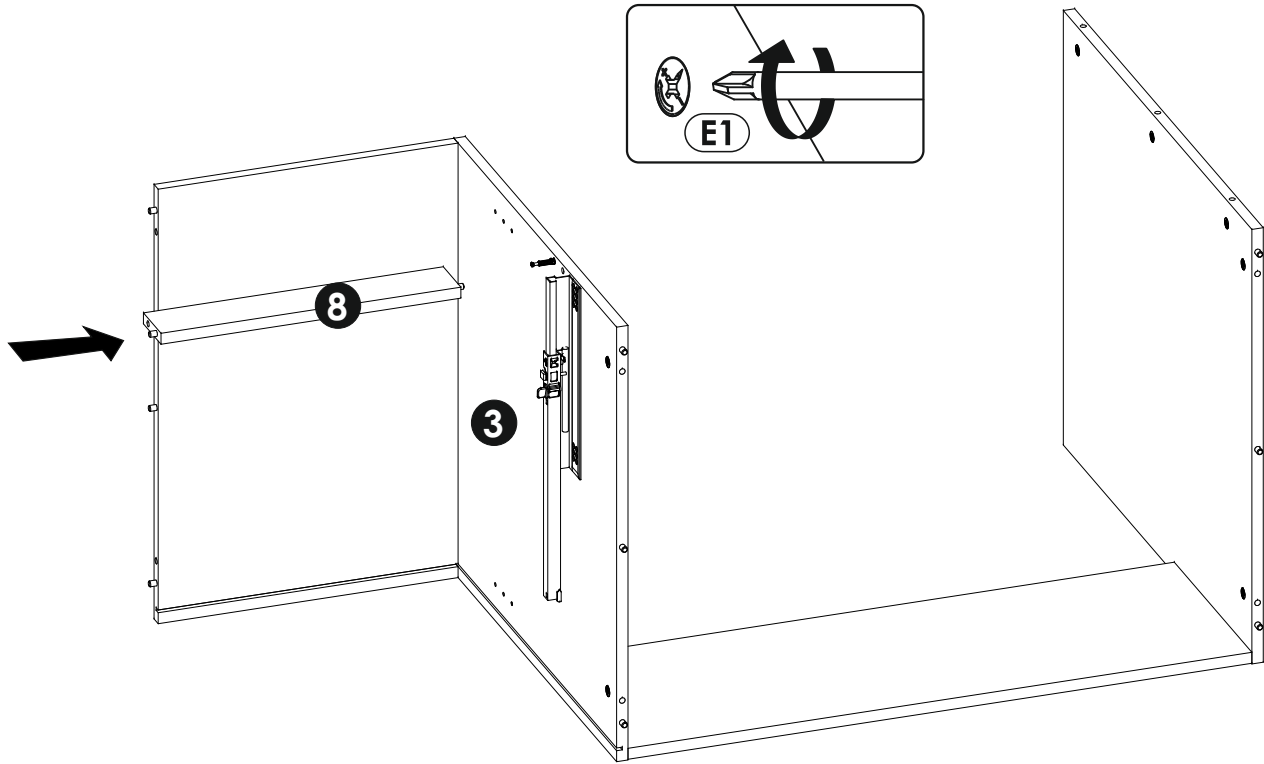
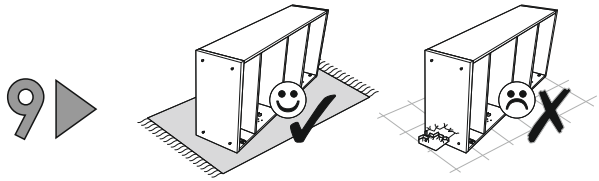
4 ▶



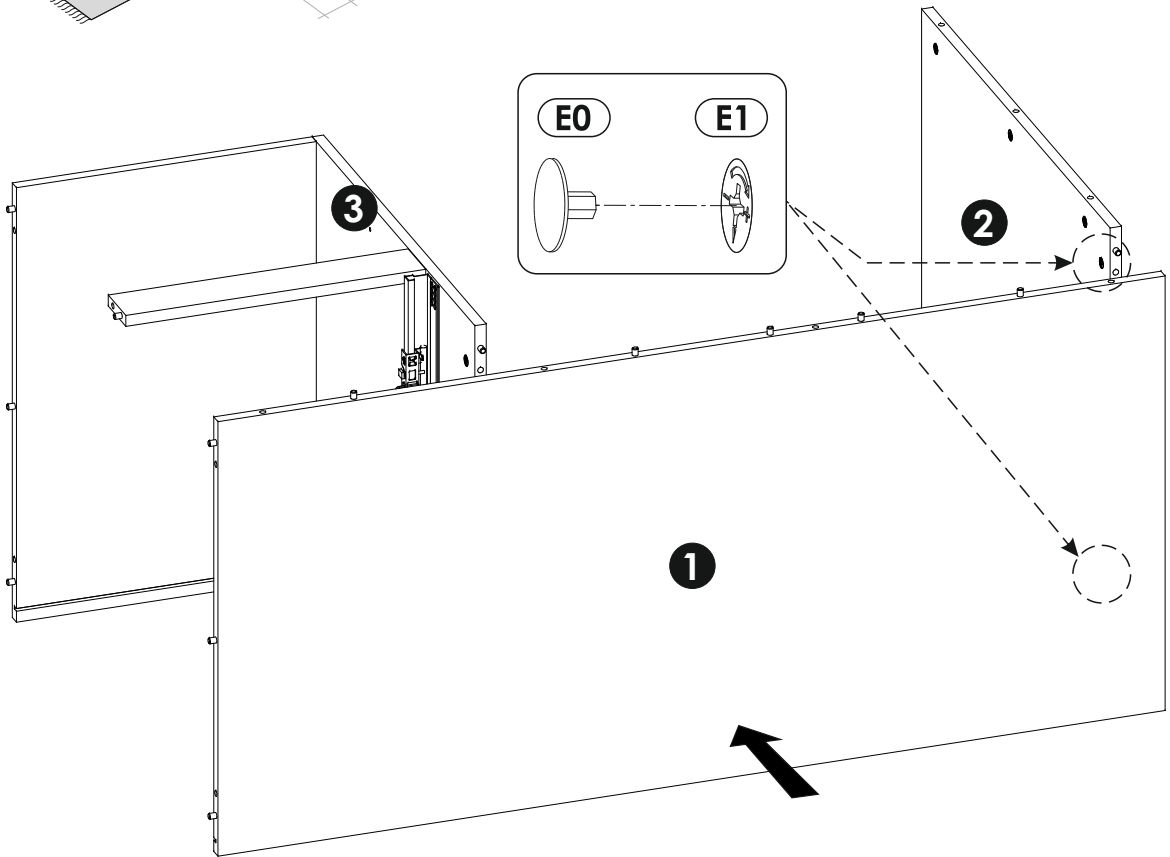
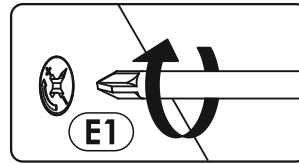
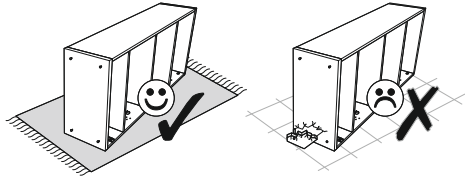




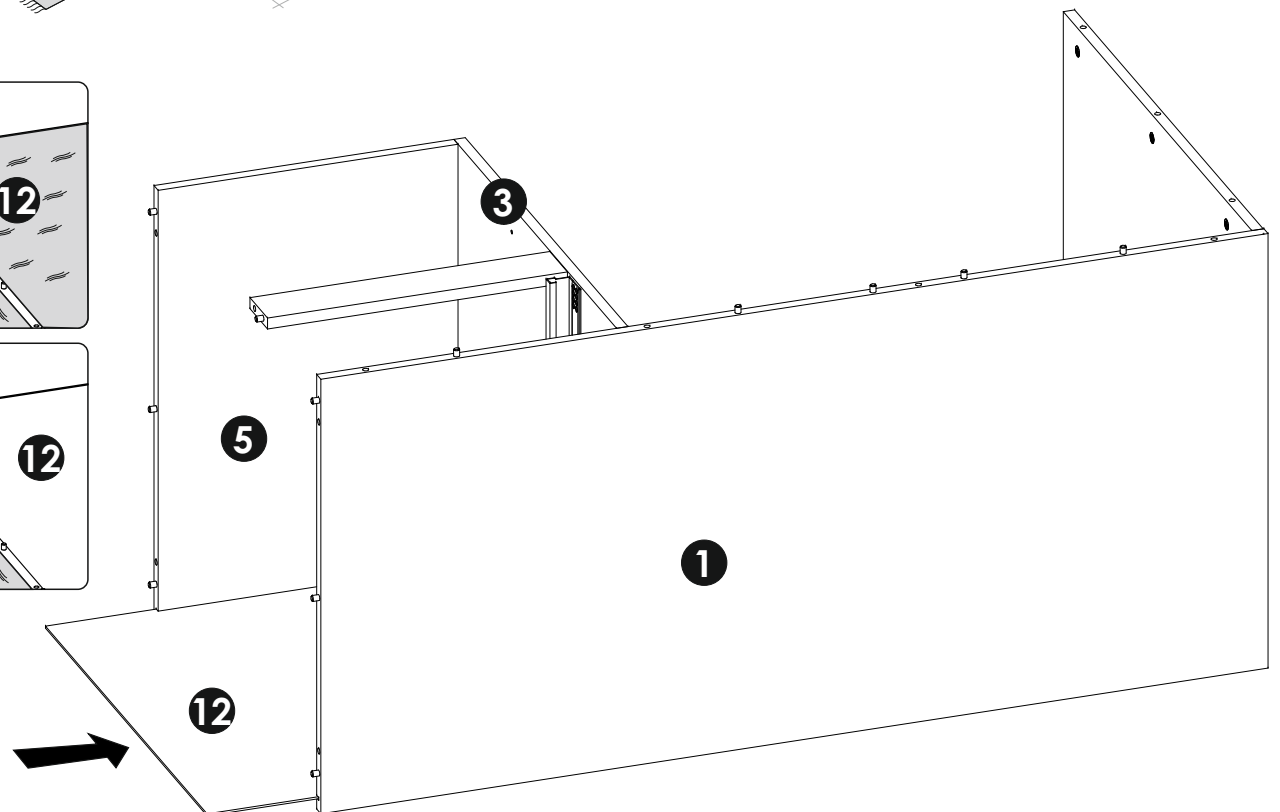
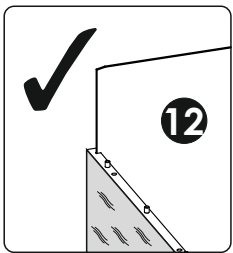
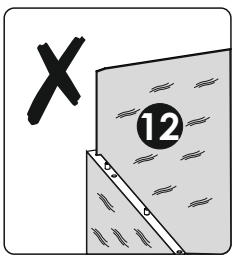
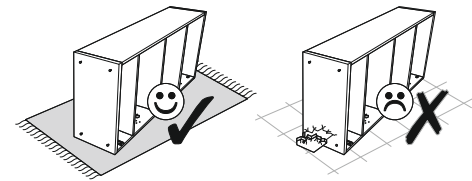




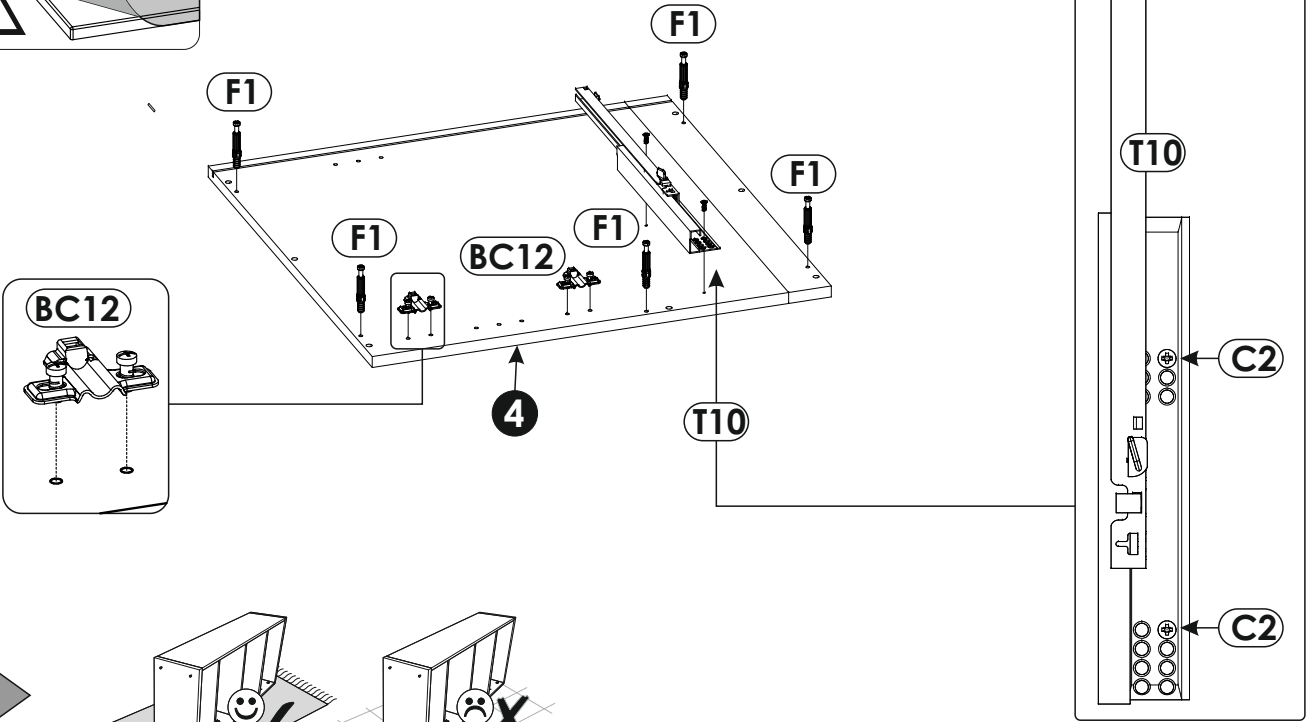
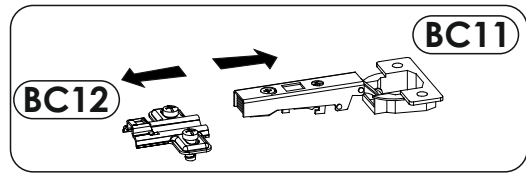
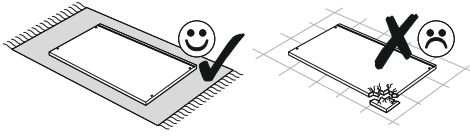
11 ▶



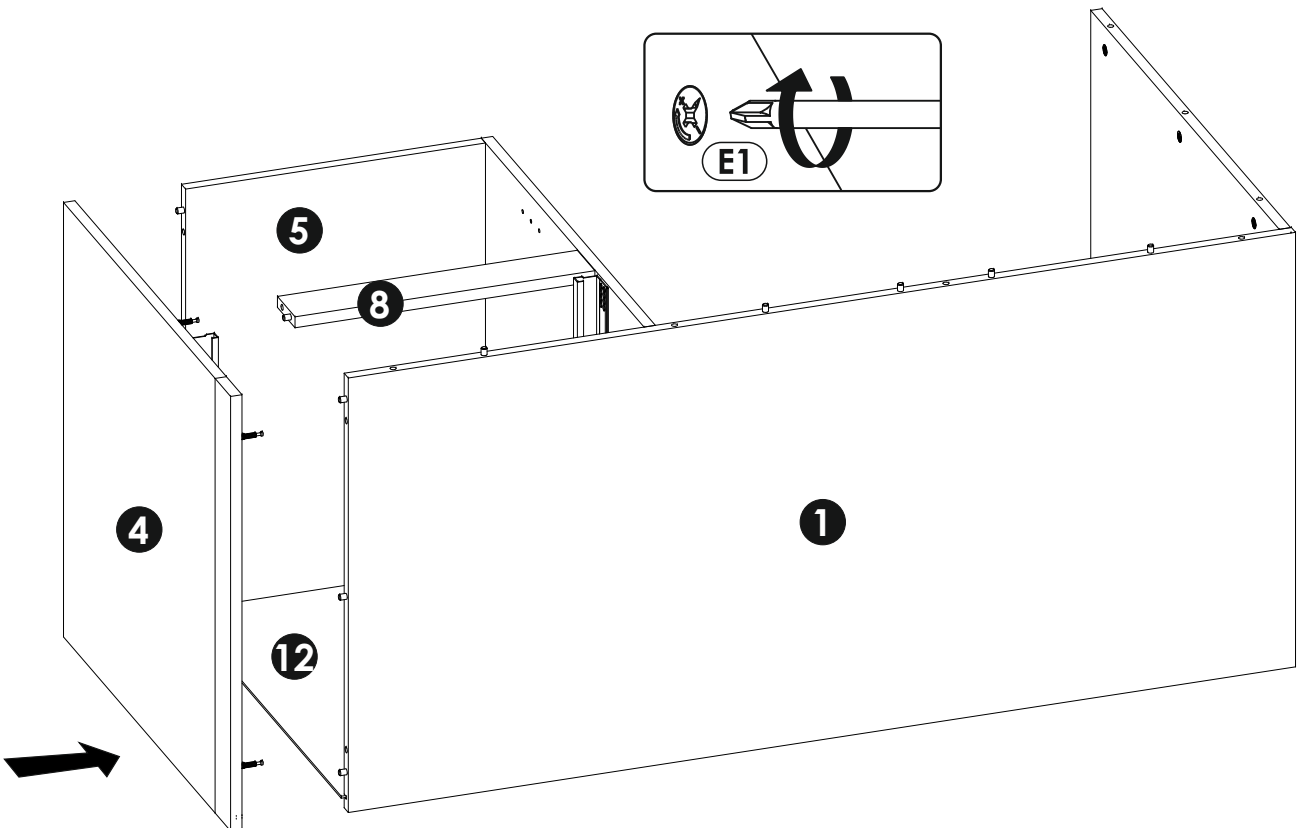
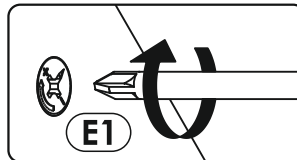
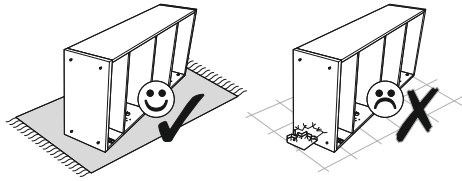
12 ▶



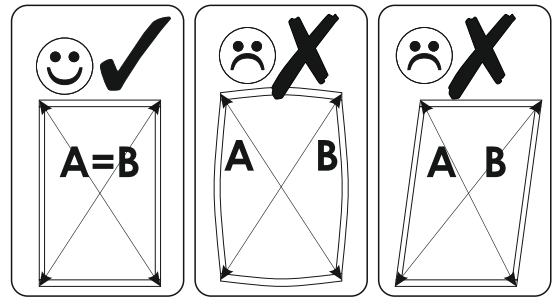
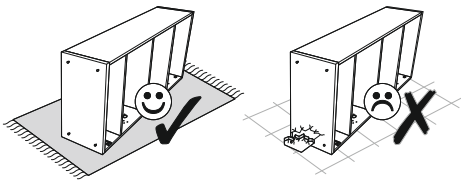
13 ▶



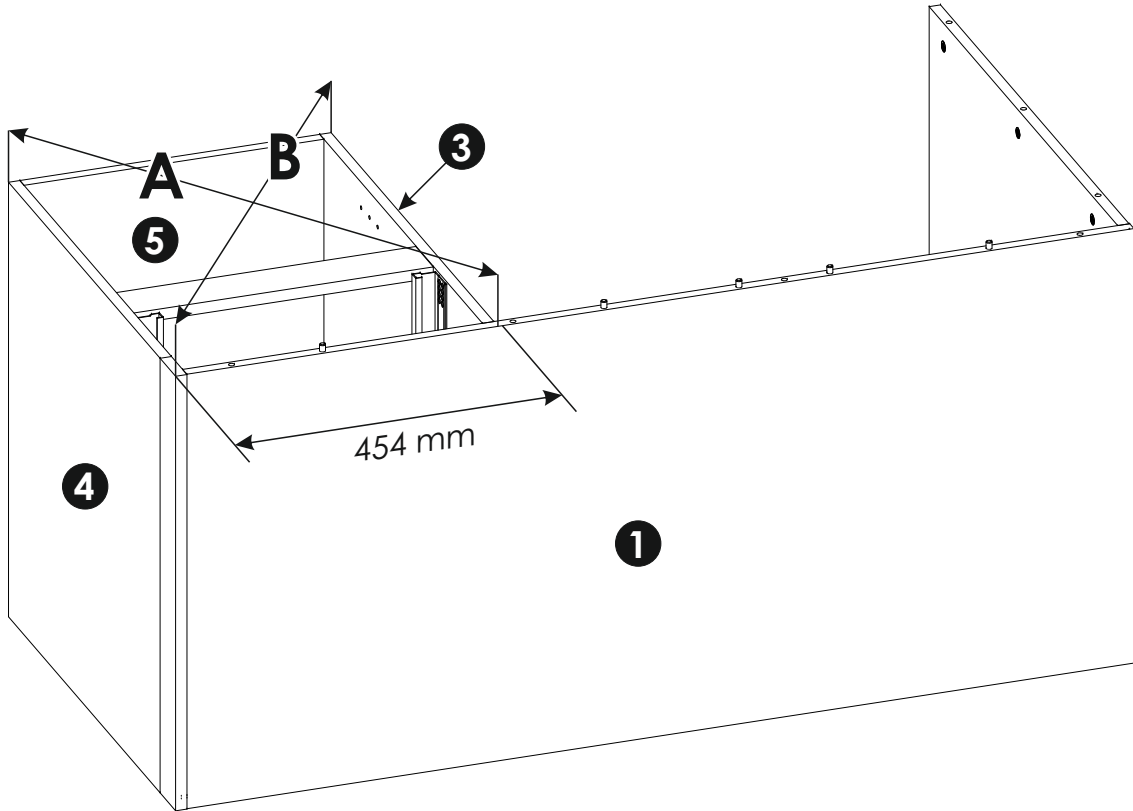
14 ▶



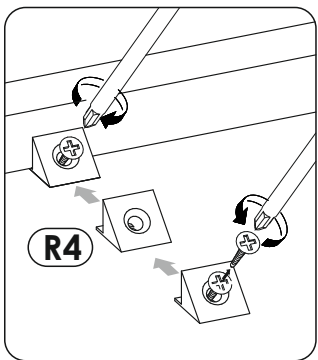
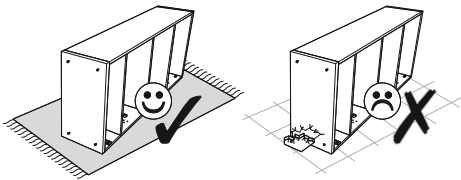
15 ▶



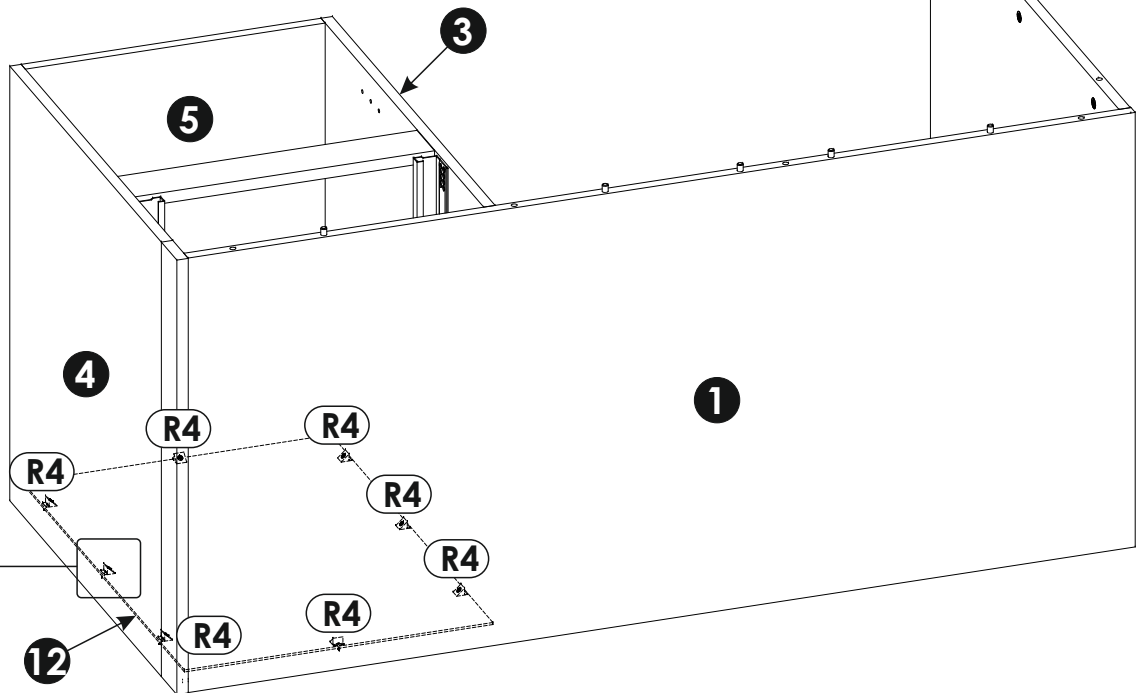
# A=B



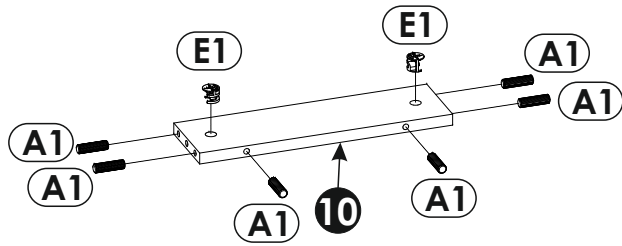
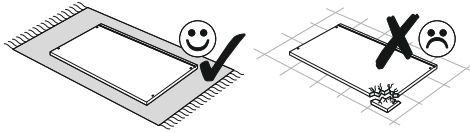
16 ▶



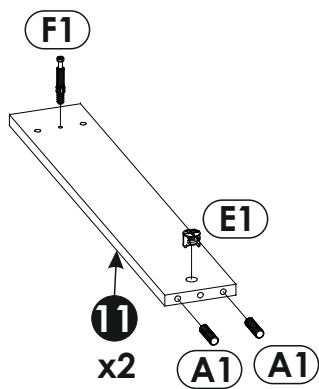
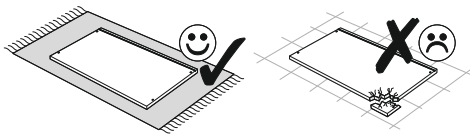
x8



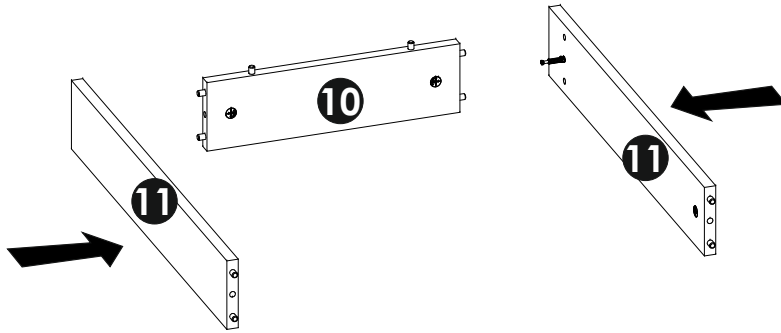
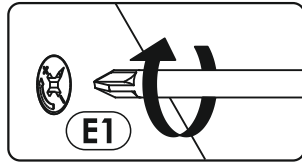
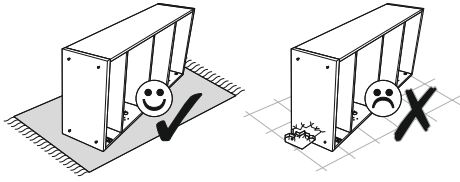
17▶



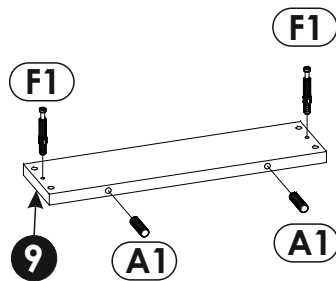
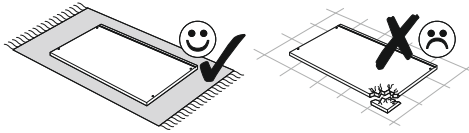
18▶



19▶

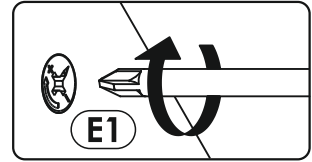
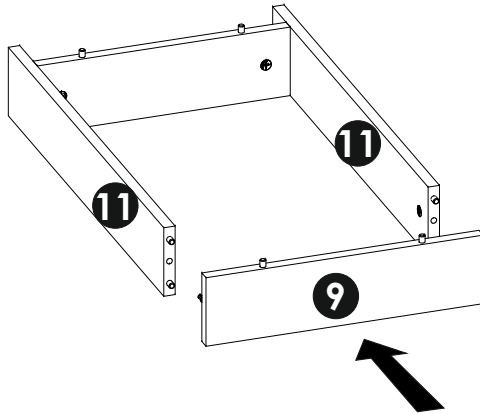
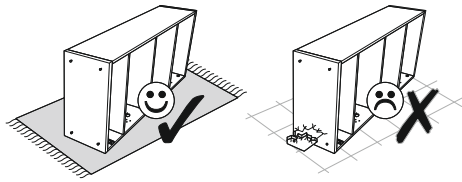


20▶

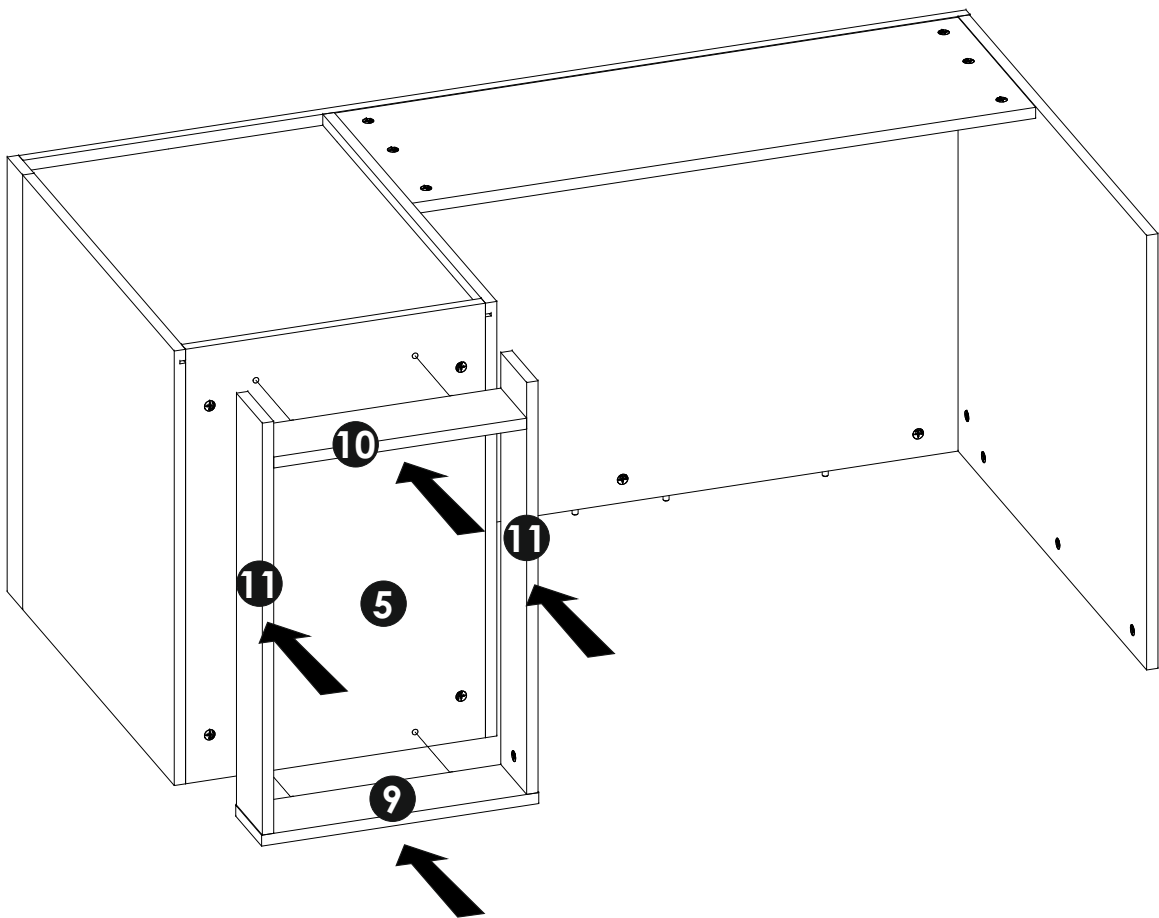
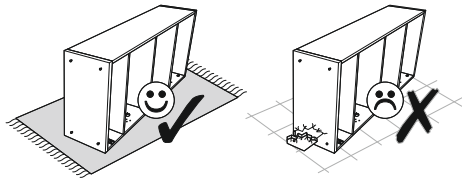




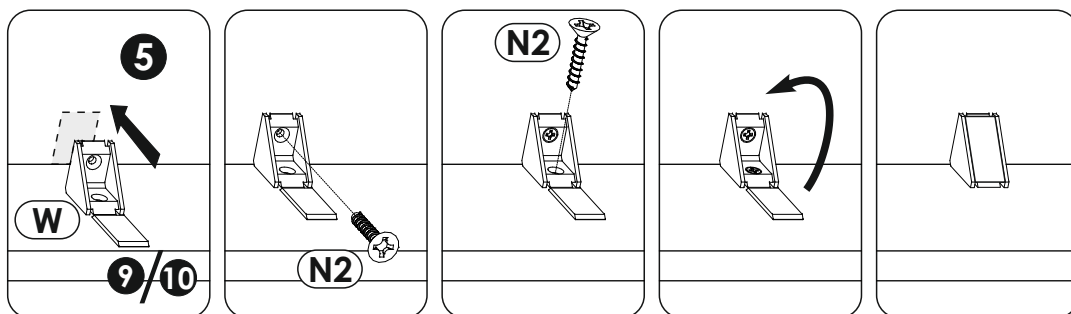
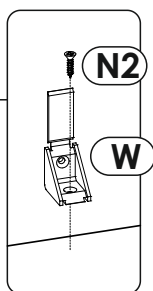
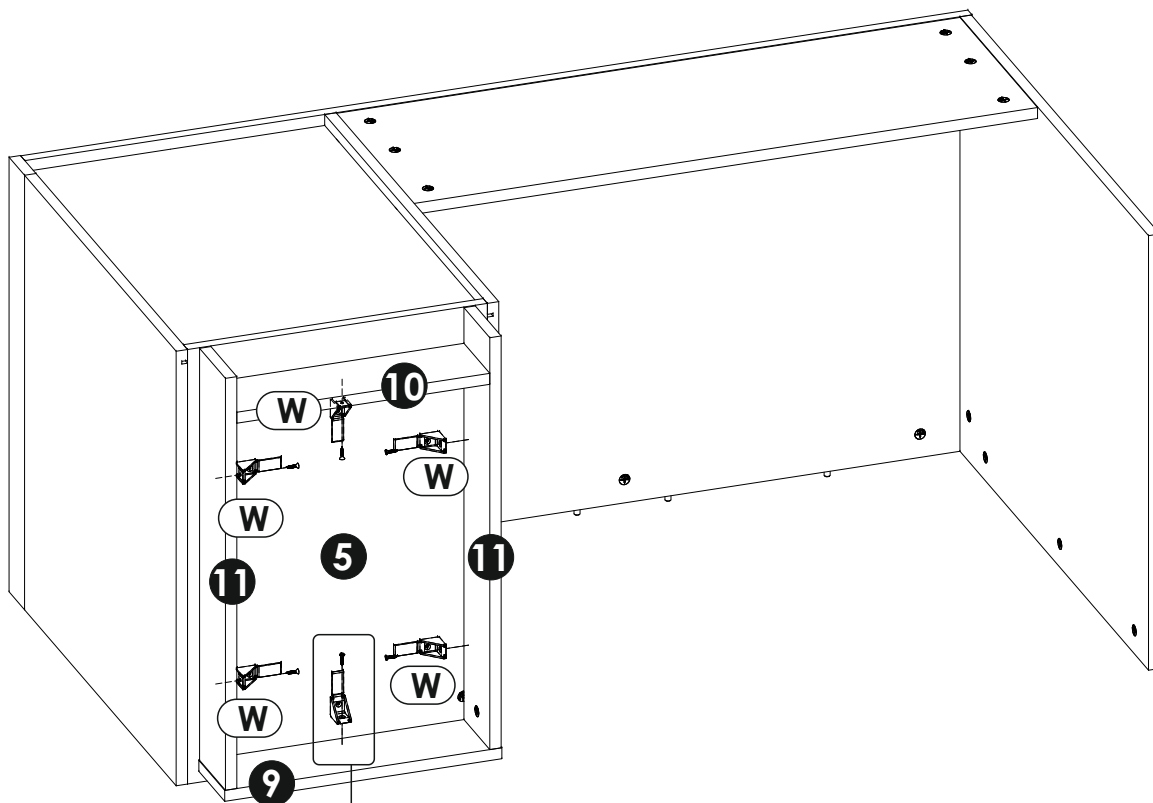
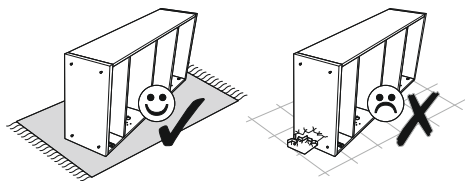
21 ▶



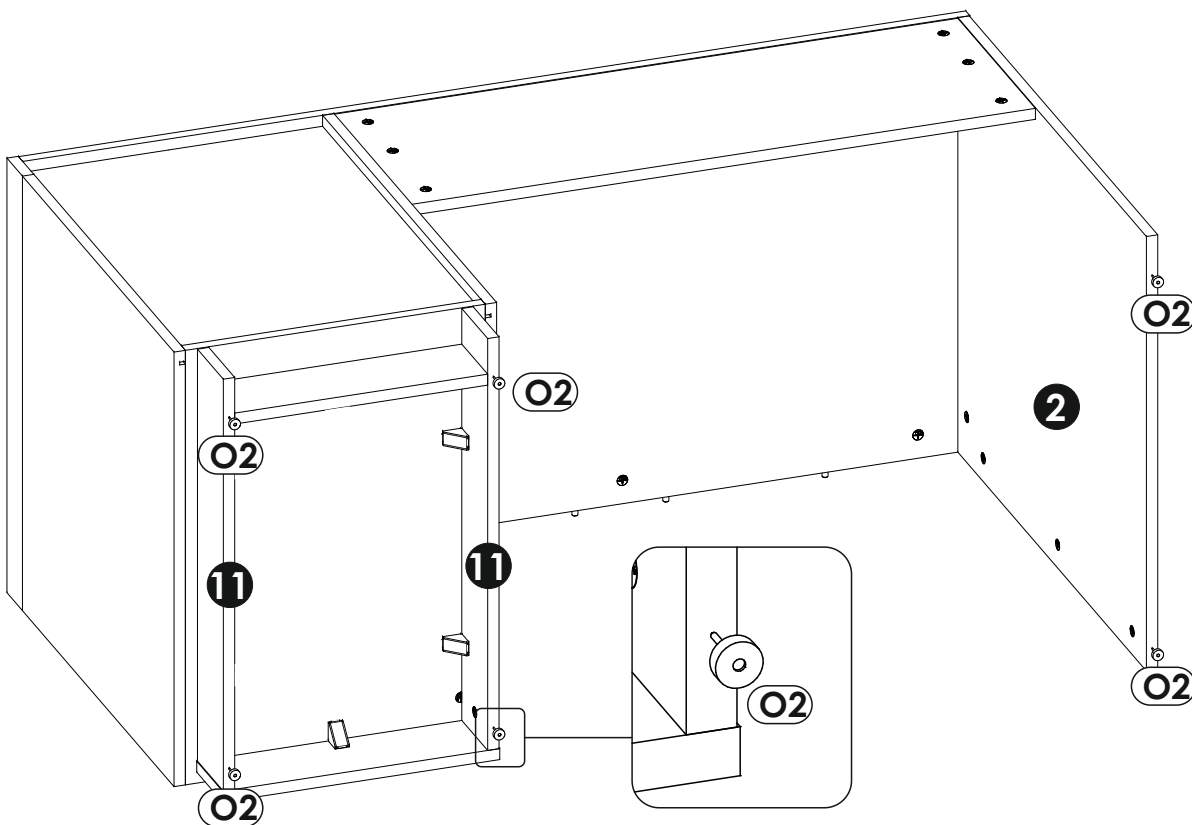
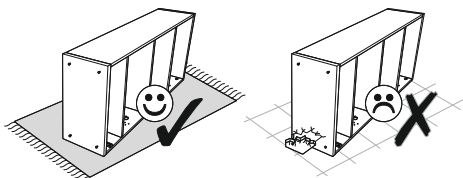
22 ▶



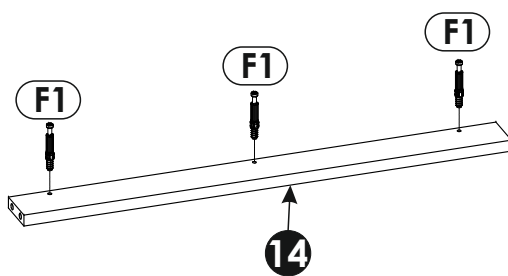
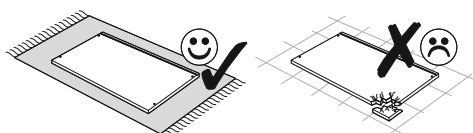
23 ▶



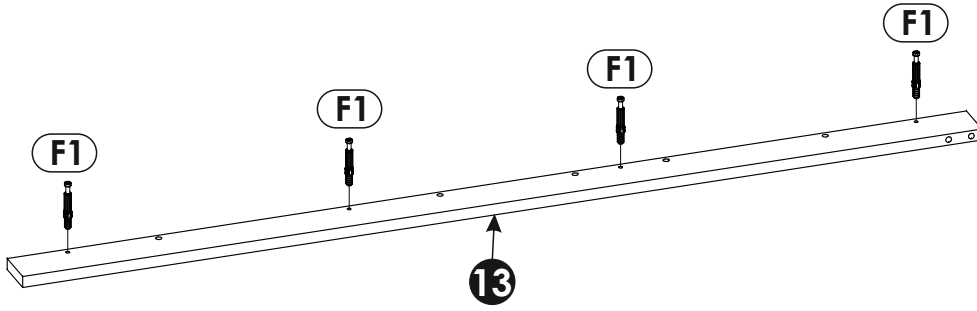
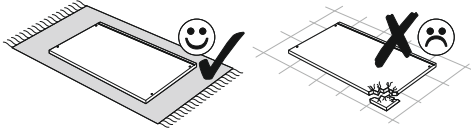
24 ▶



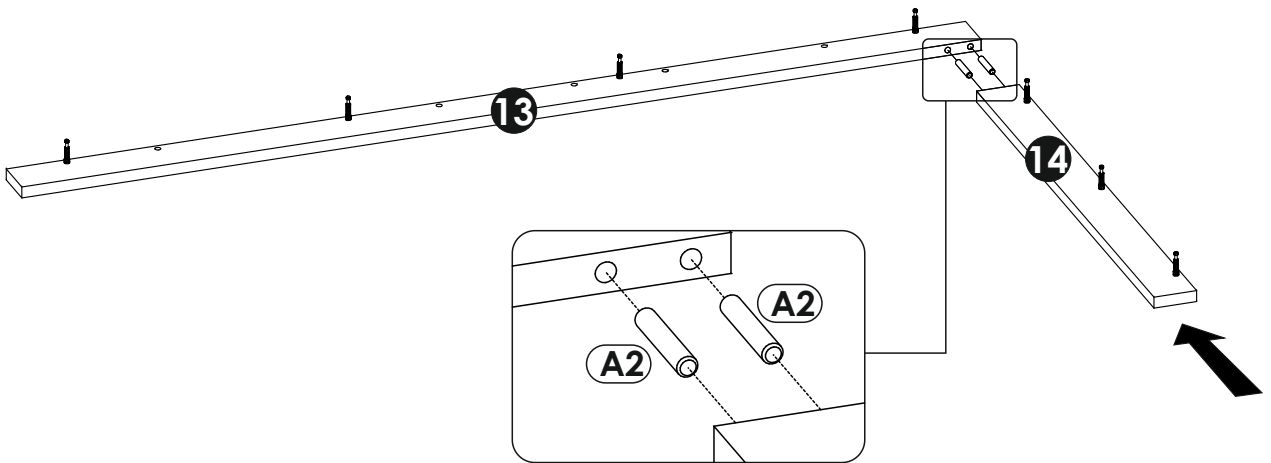
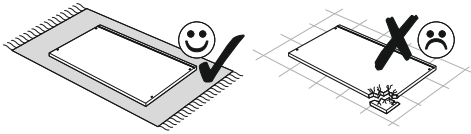
25 ▶



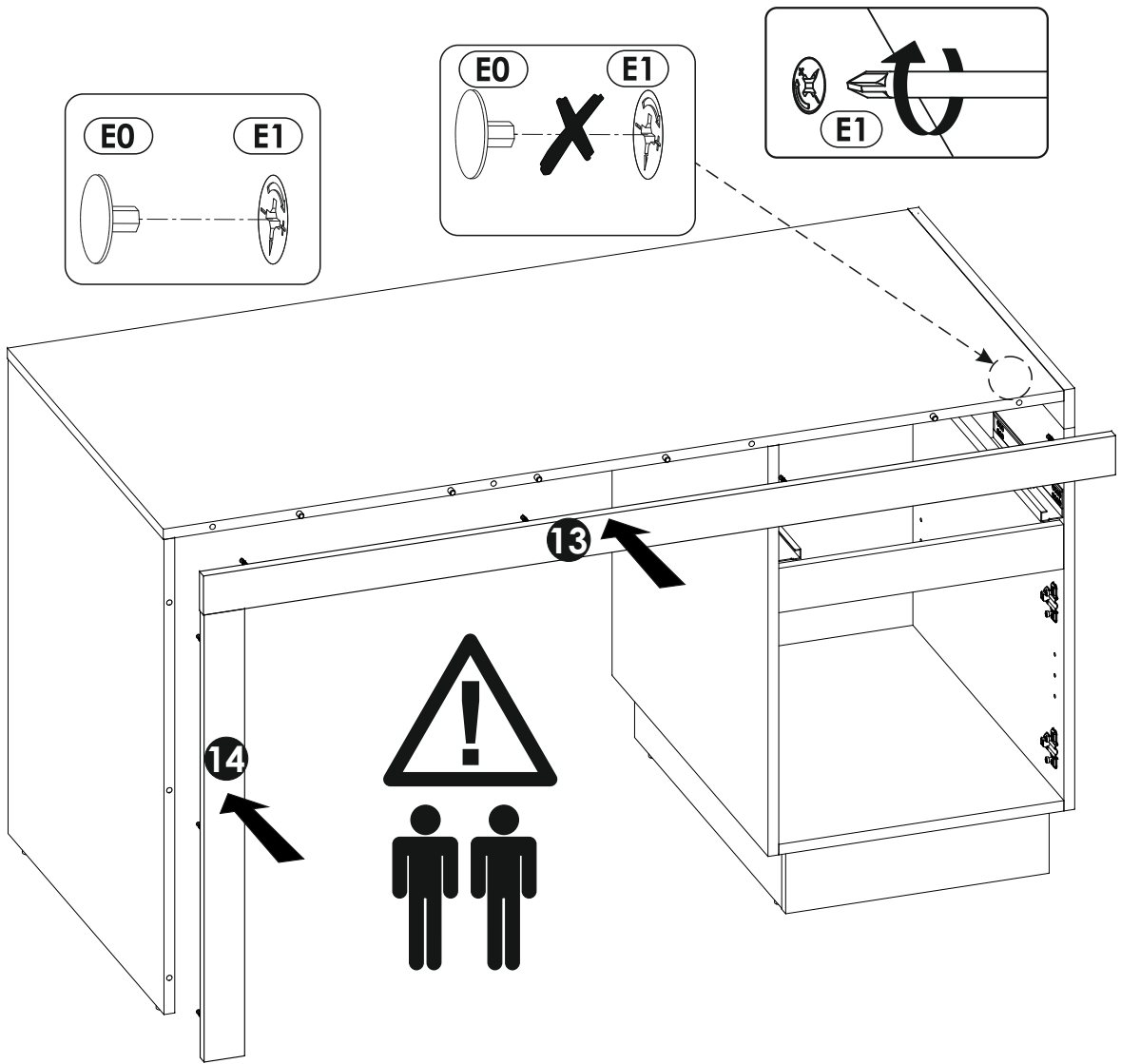
26 ▶



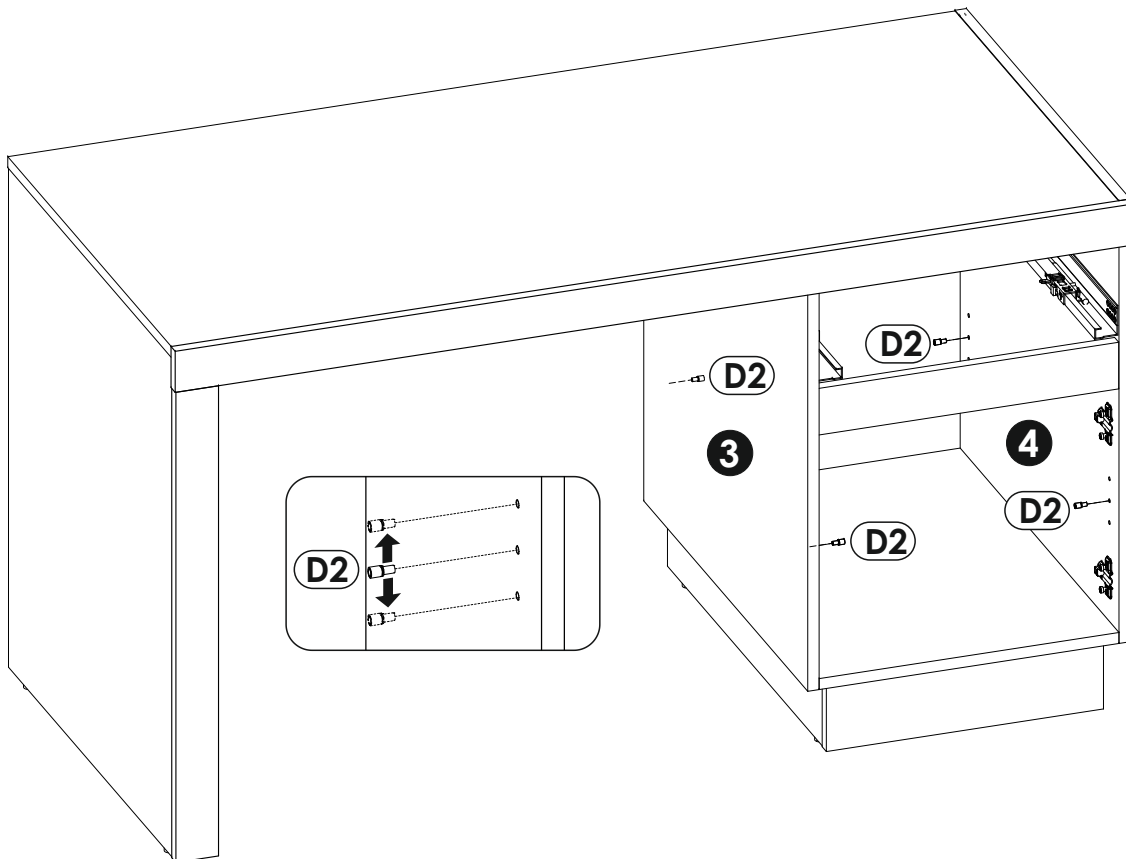
27 ▶



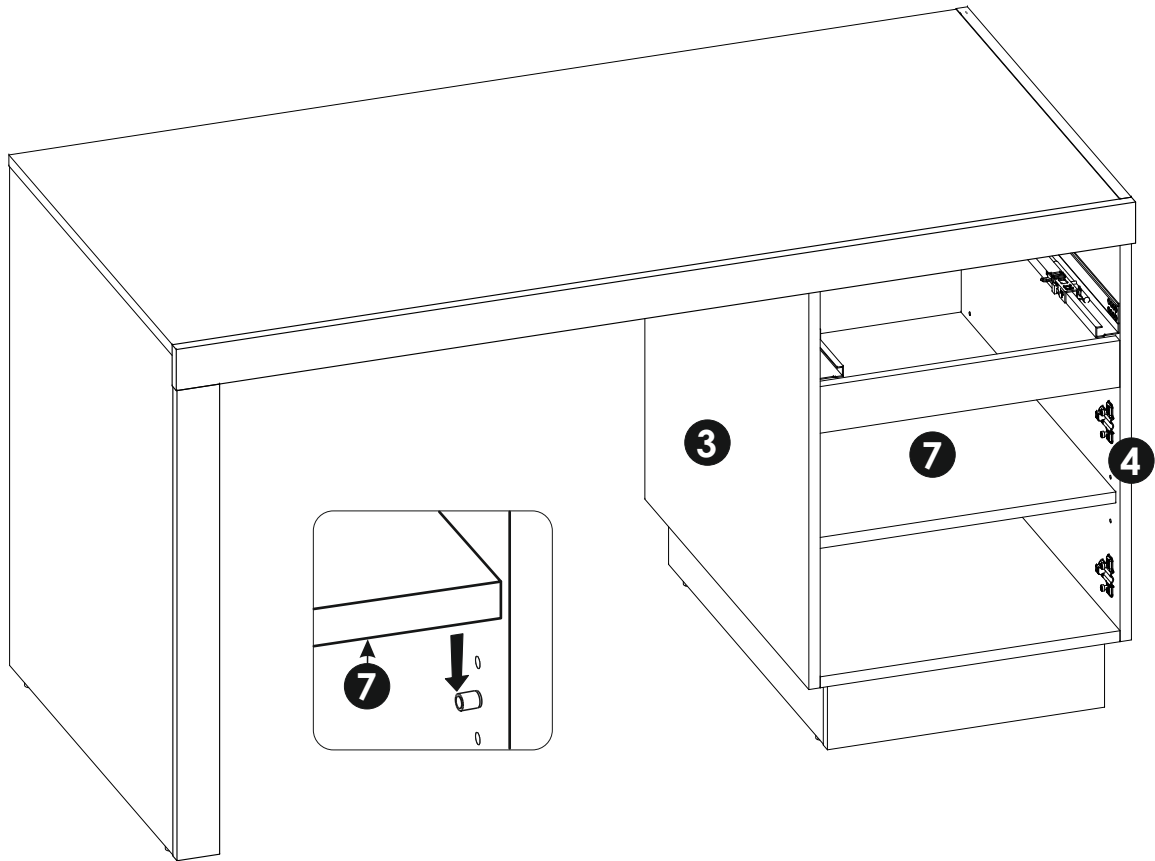
28 ▶



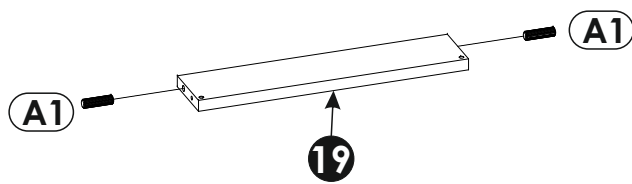
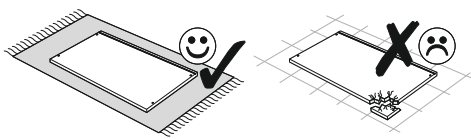
29 ▶



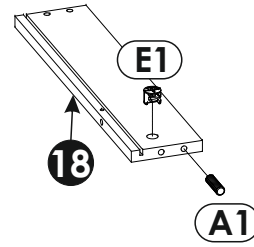
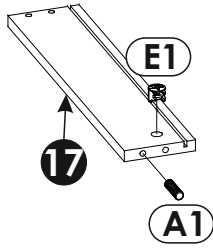
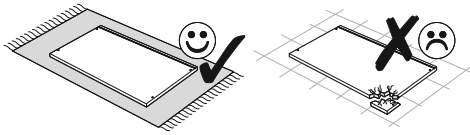
30 ▶



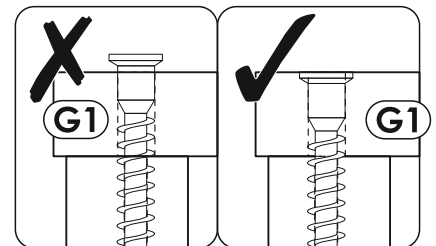
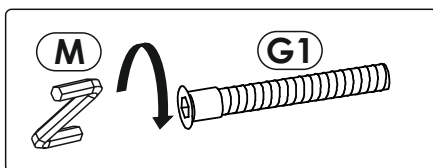
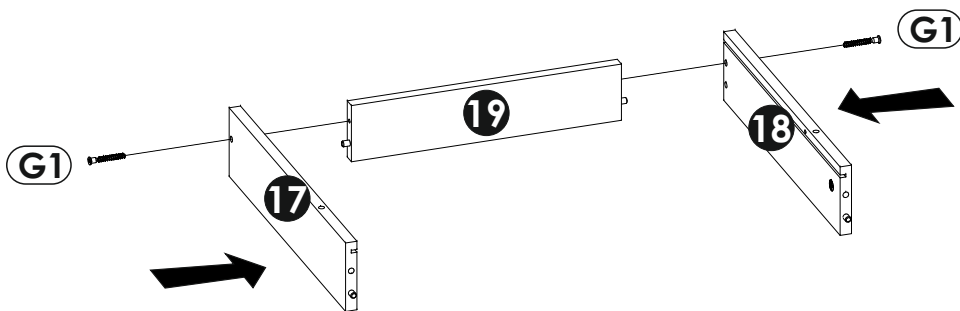
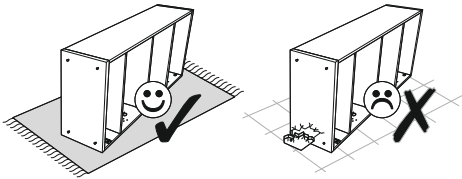
31 ▶



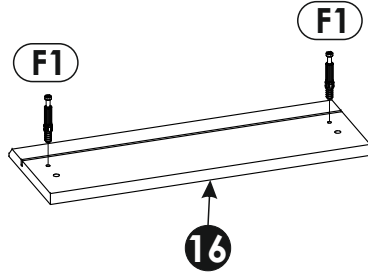
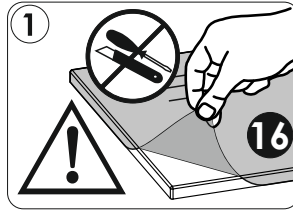
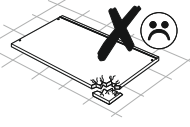
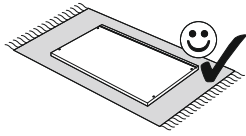
32 ▶



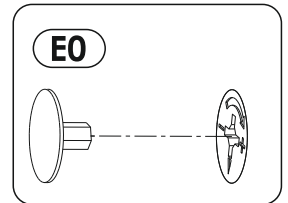
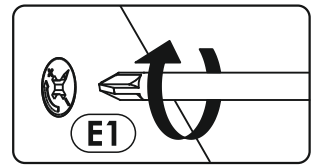
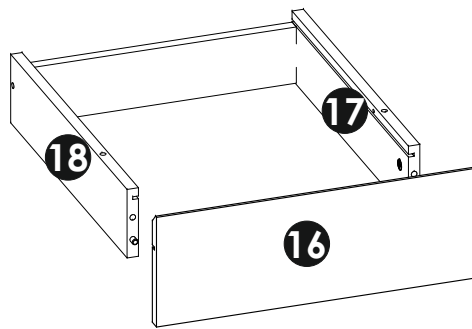
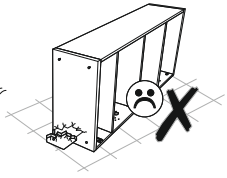
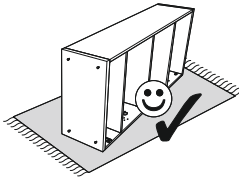
33 ▶



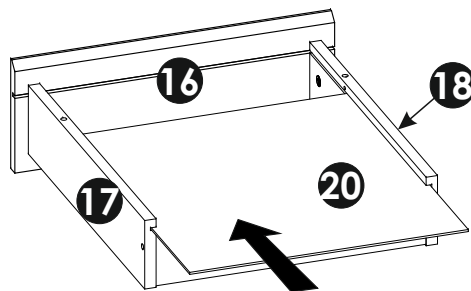
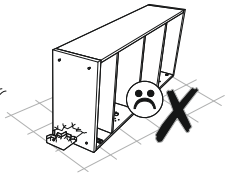
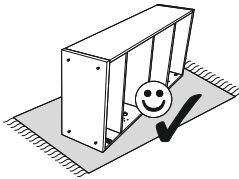
34 ▶



35 ▶

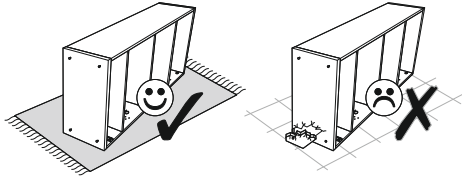


36 ▶

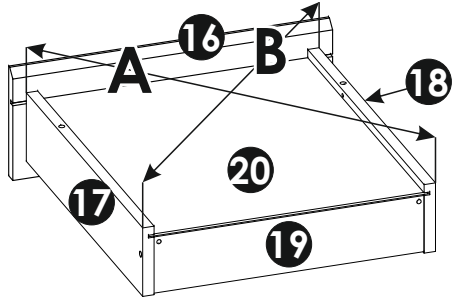
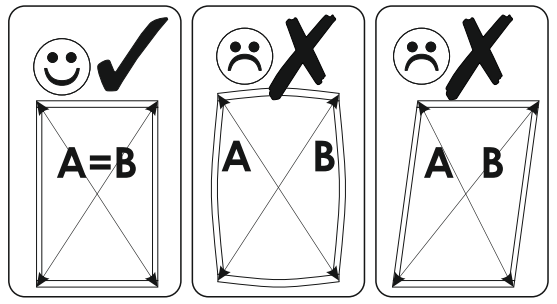




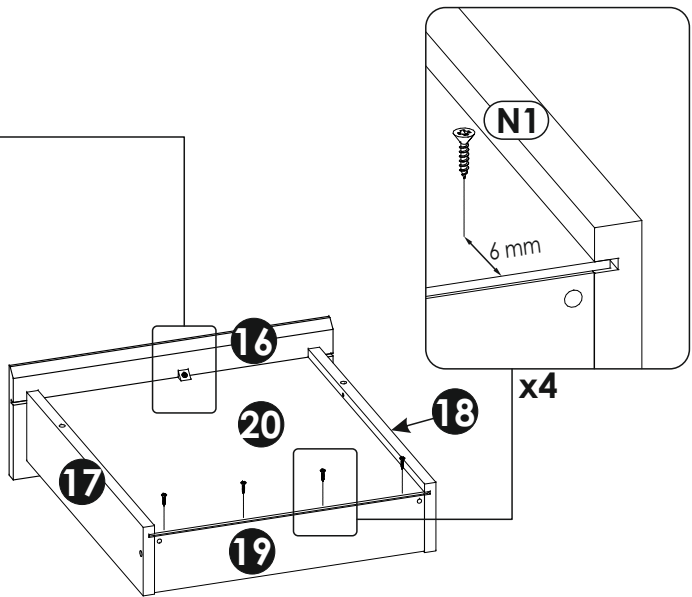
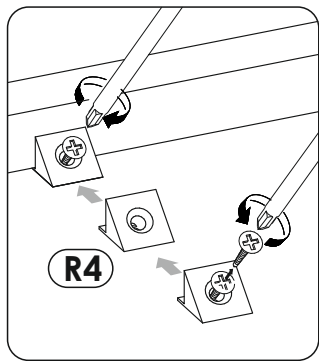
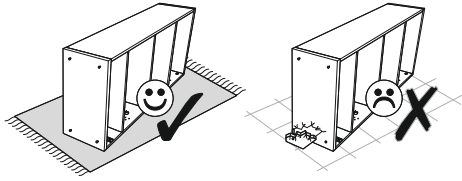
37 ▶

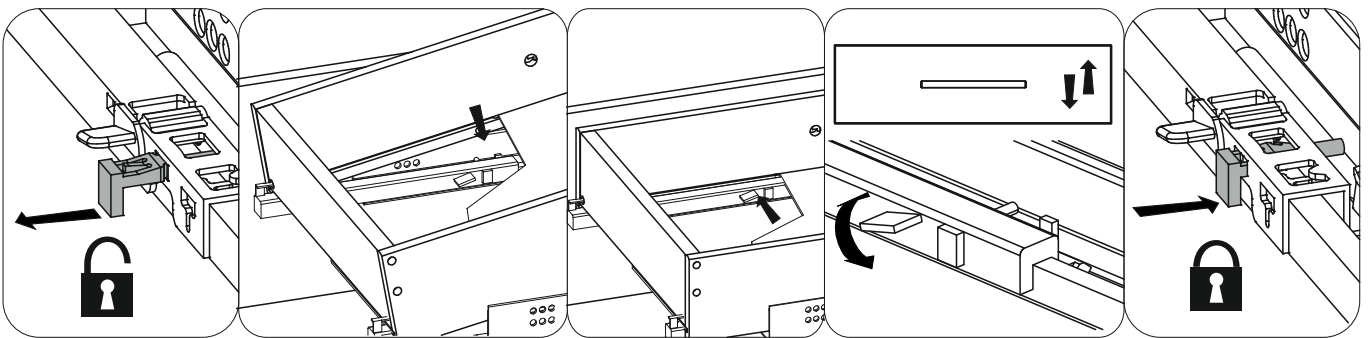
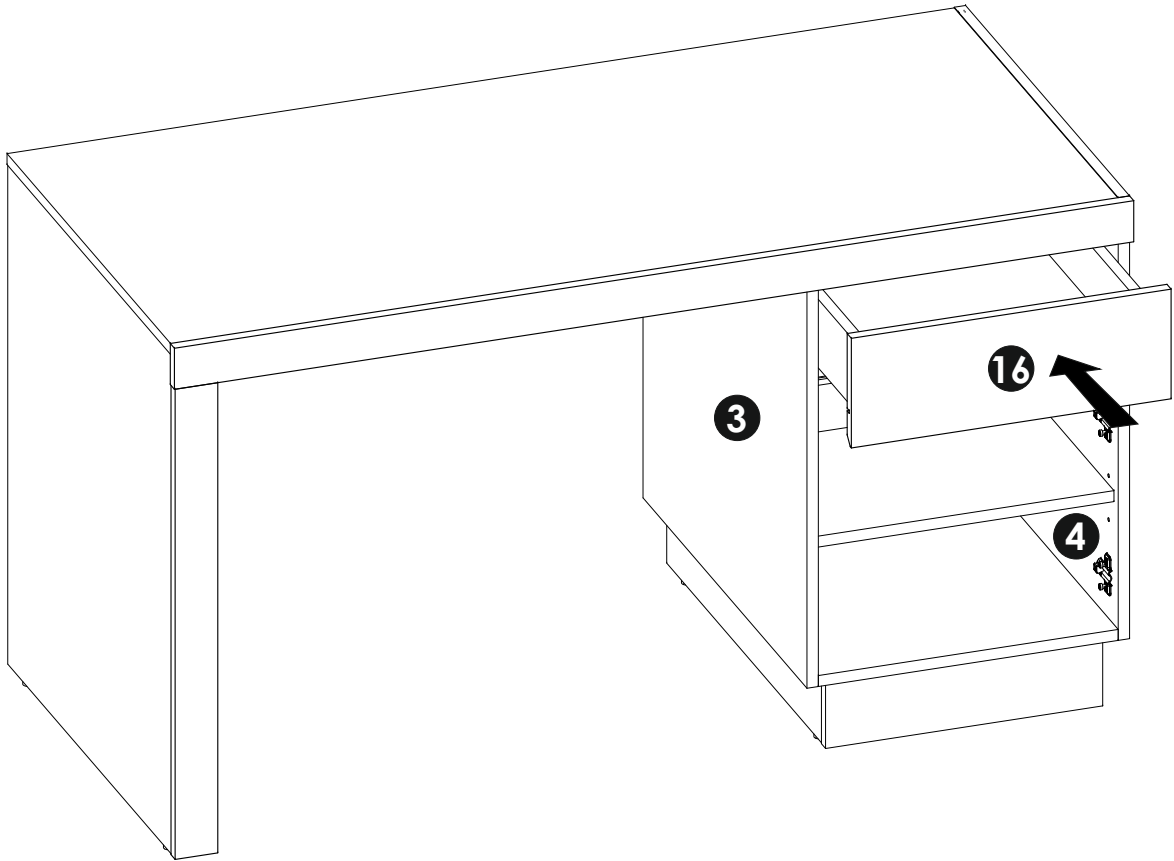


**A=B**

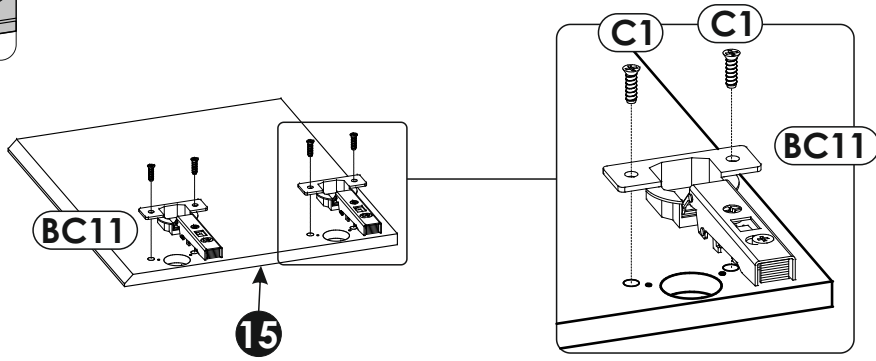
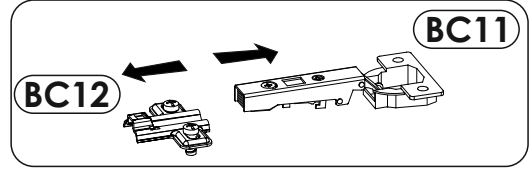
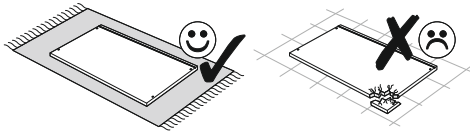


38 ▶





40 ▶



41 ▶

