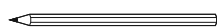
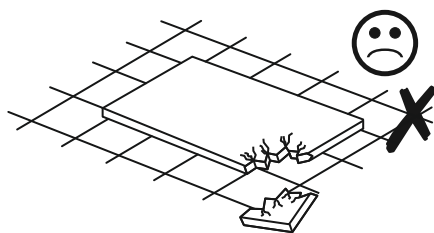
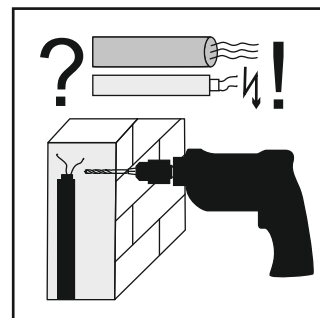
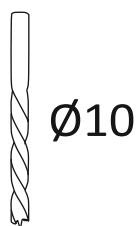
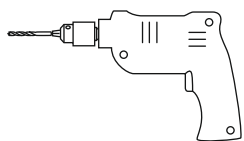
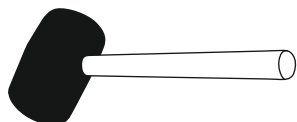
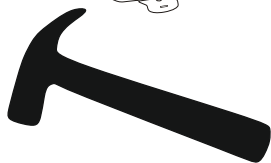


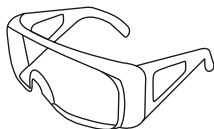
60min



mm



Ø10

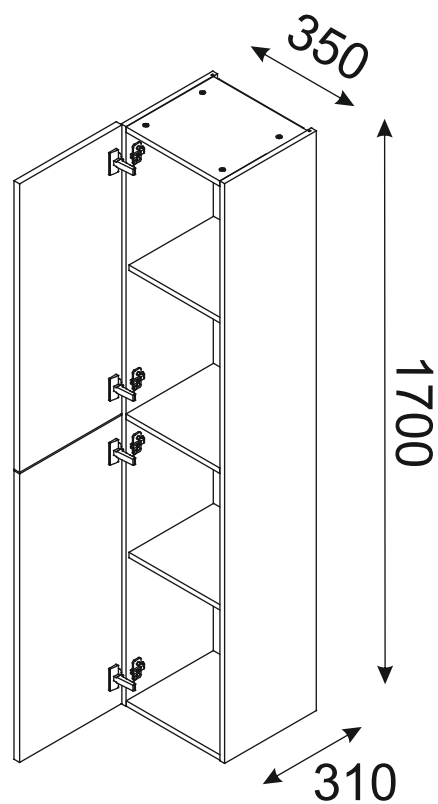


4 x

Ø10

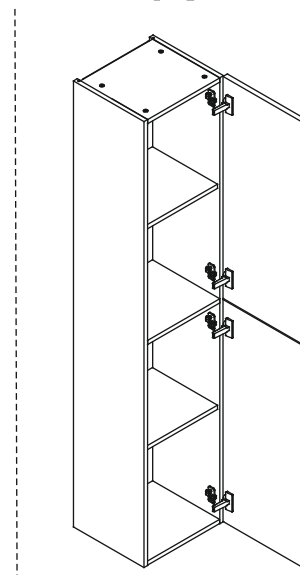
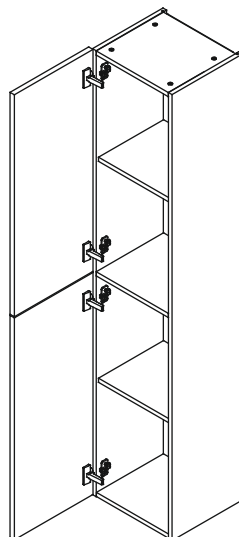


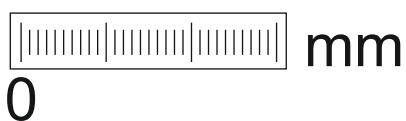
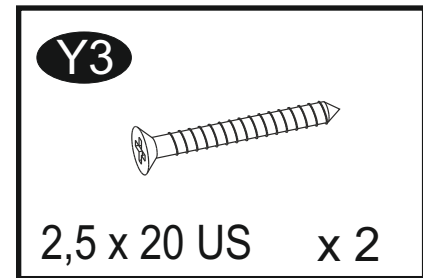
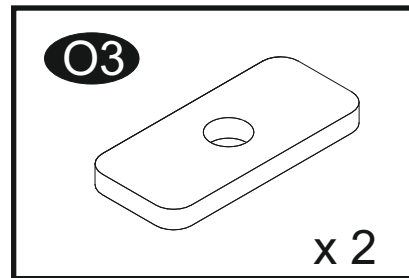
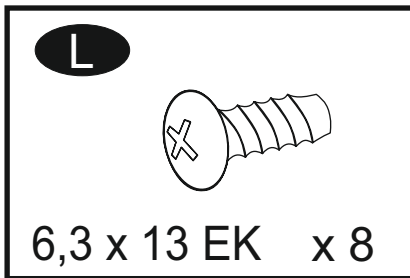
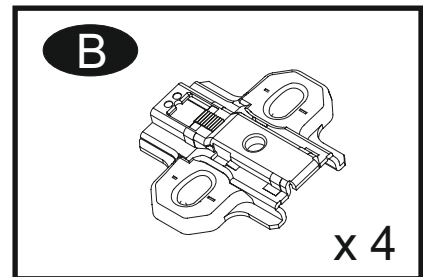
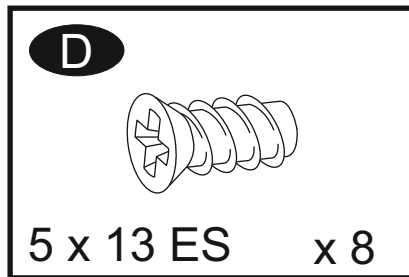
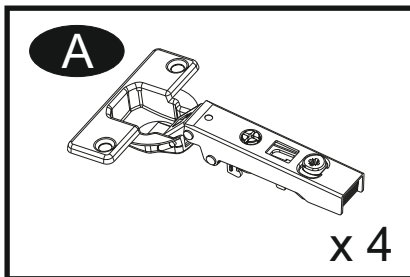
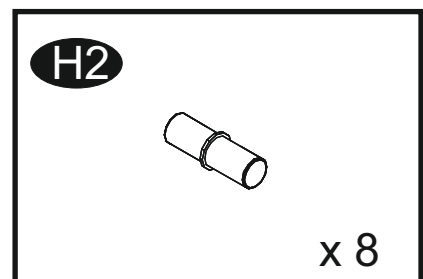
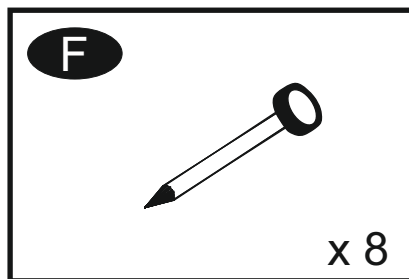
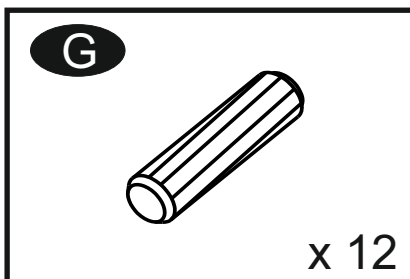
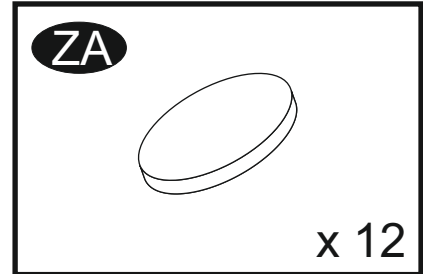
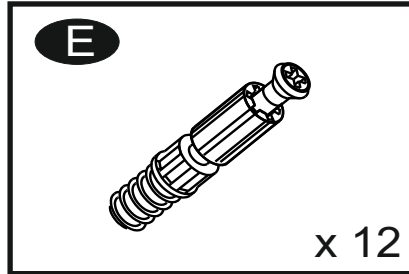
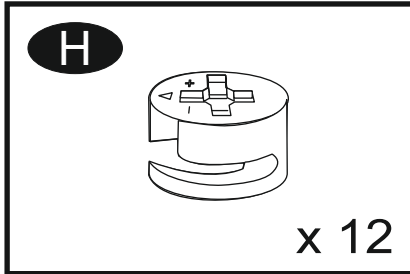
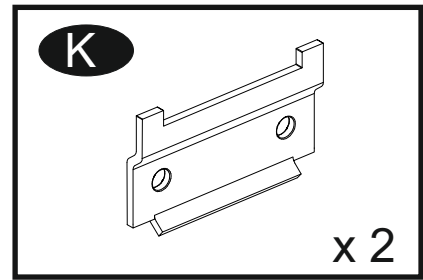
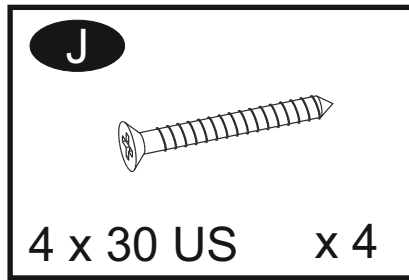
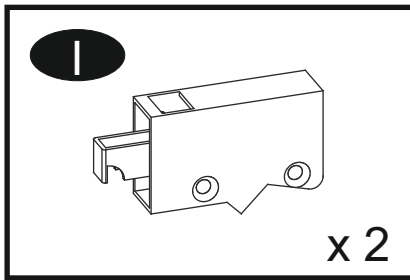
0

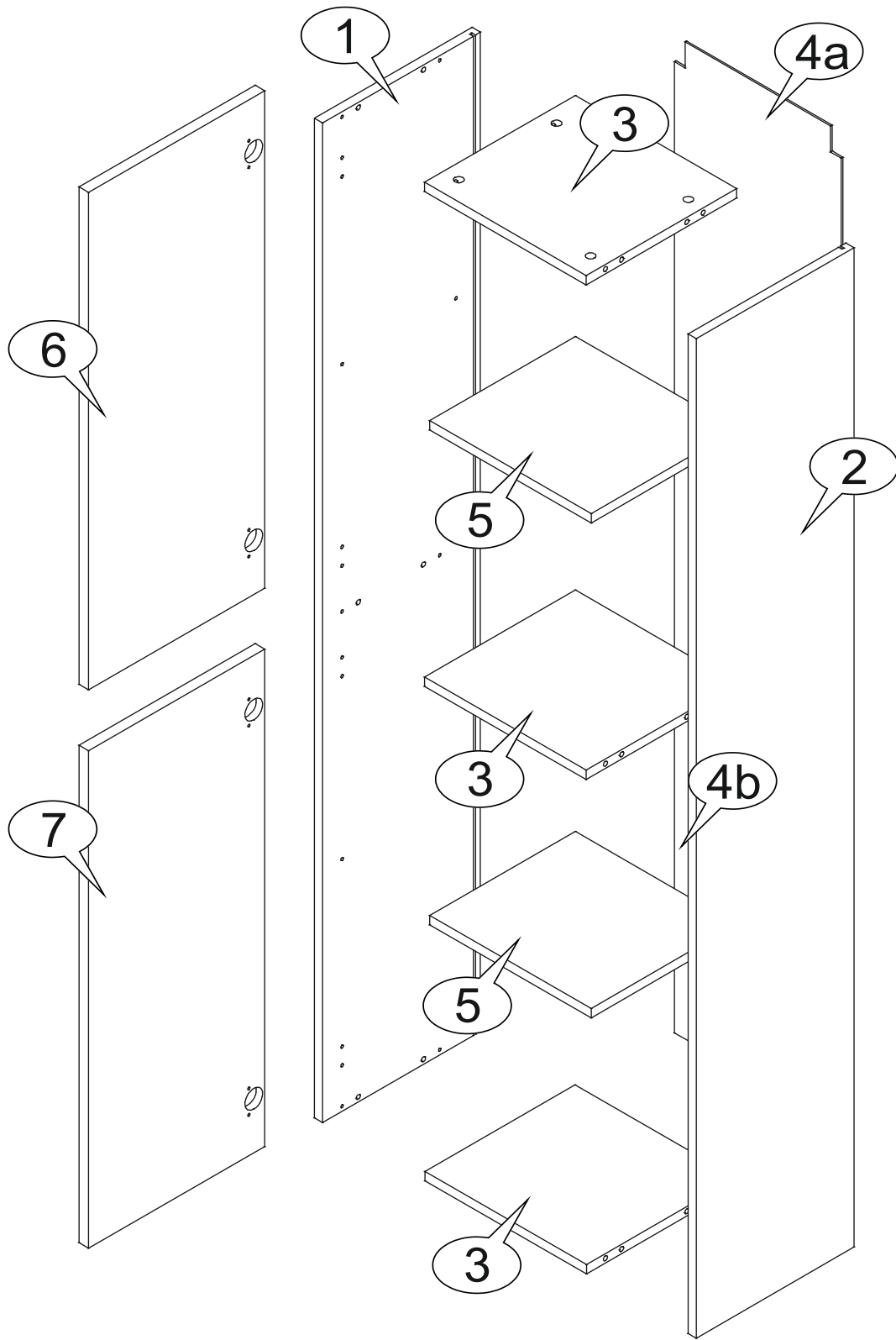


L

R





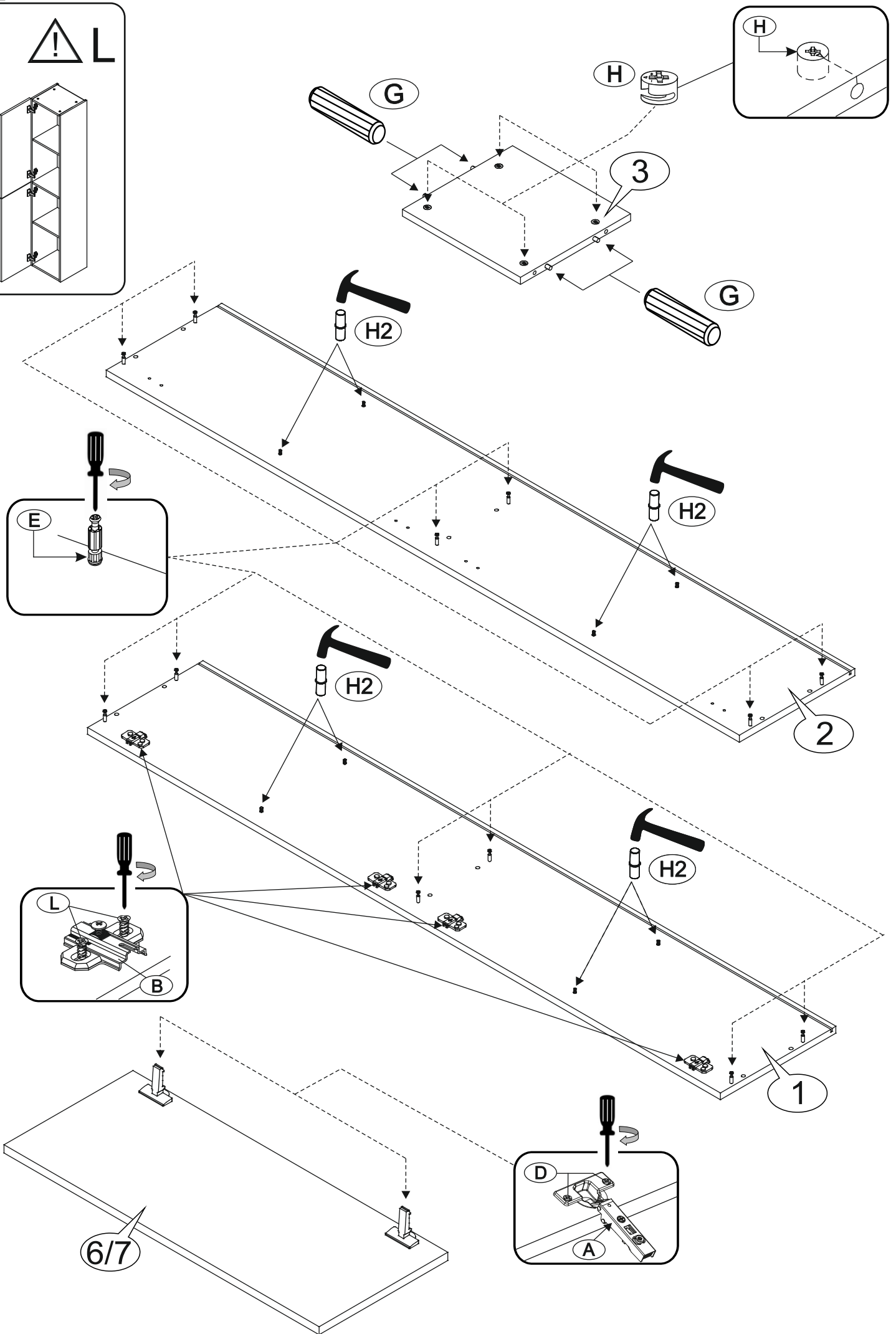
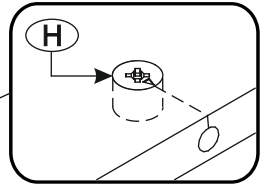
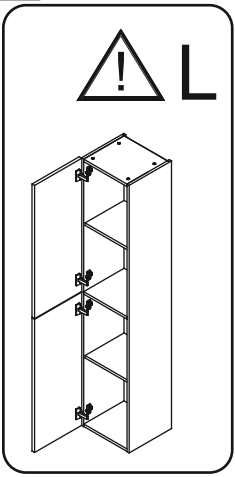


| | | | |
|----|------|-----|-----|
| 1 | 1700 | 310 | x 1 |
| 2 | 1700 | 310 | x 1 |
| 3 | 317 | 296 | x 3 |
| 4a | 847 | 328 | x 1 |
| 4b | 847 | 328 | x 1 |
| 5 | 317 | 286 | x 2 |
| 6 | 846 | 346 | x 1 |
| 7 | 846 | 346 | x 1 |

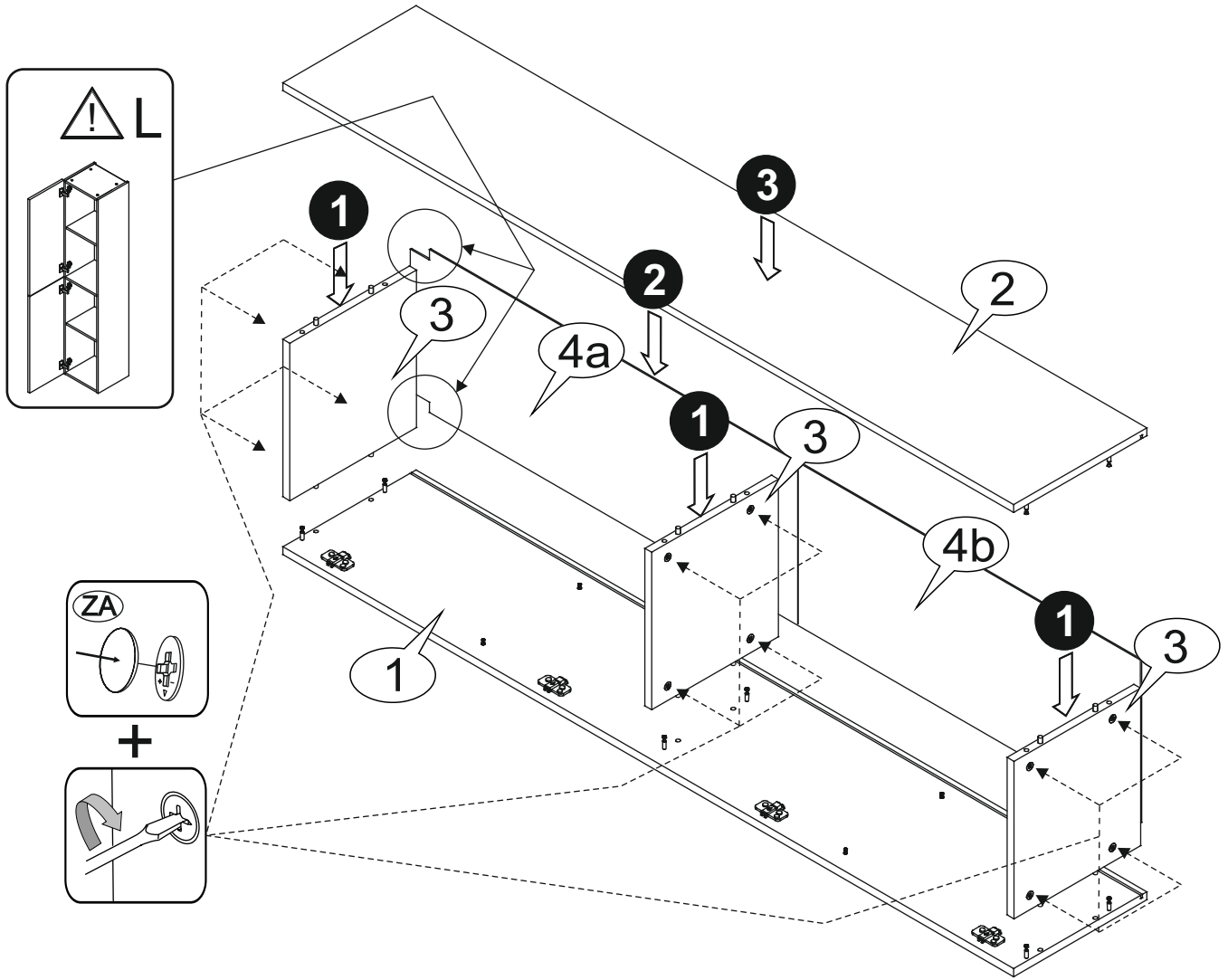


0

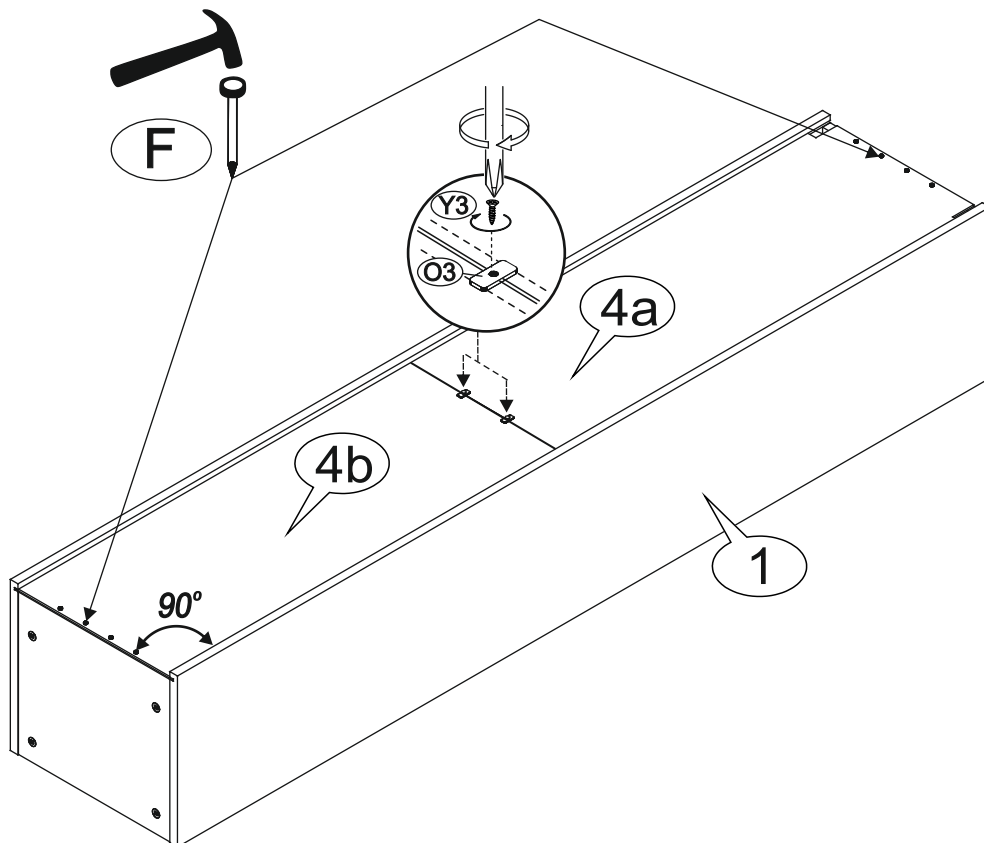
mm

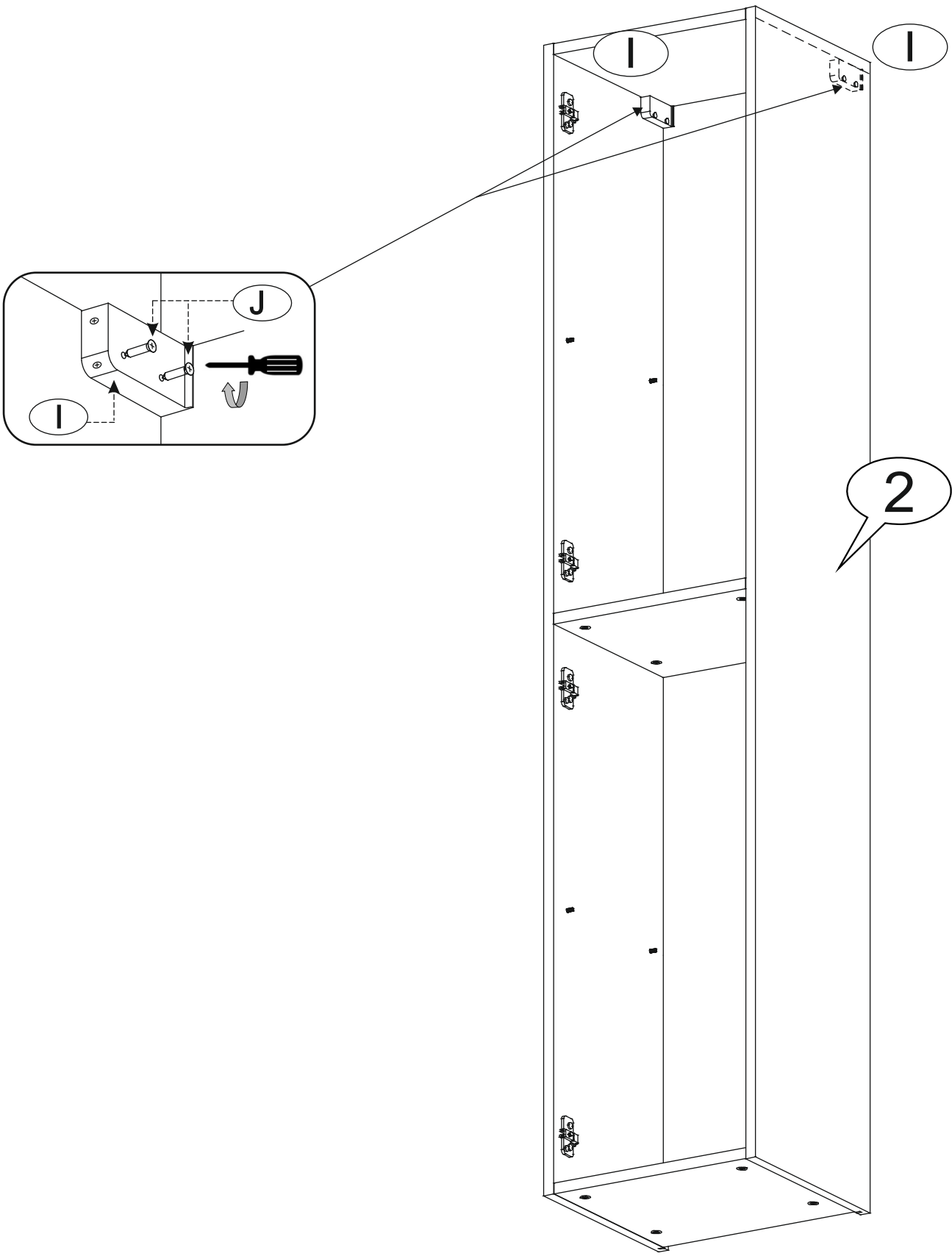


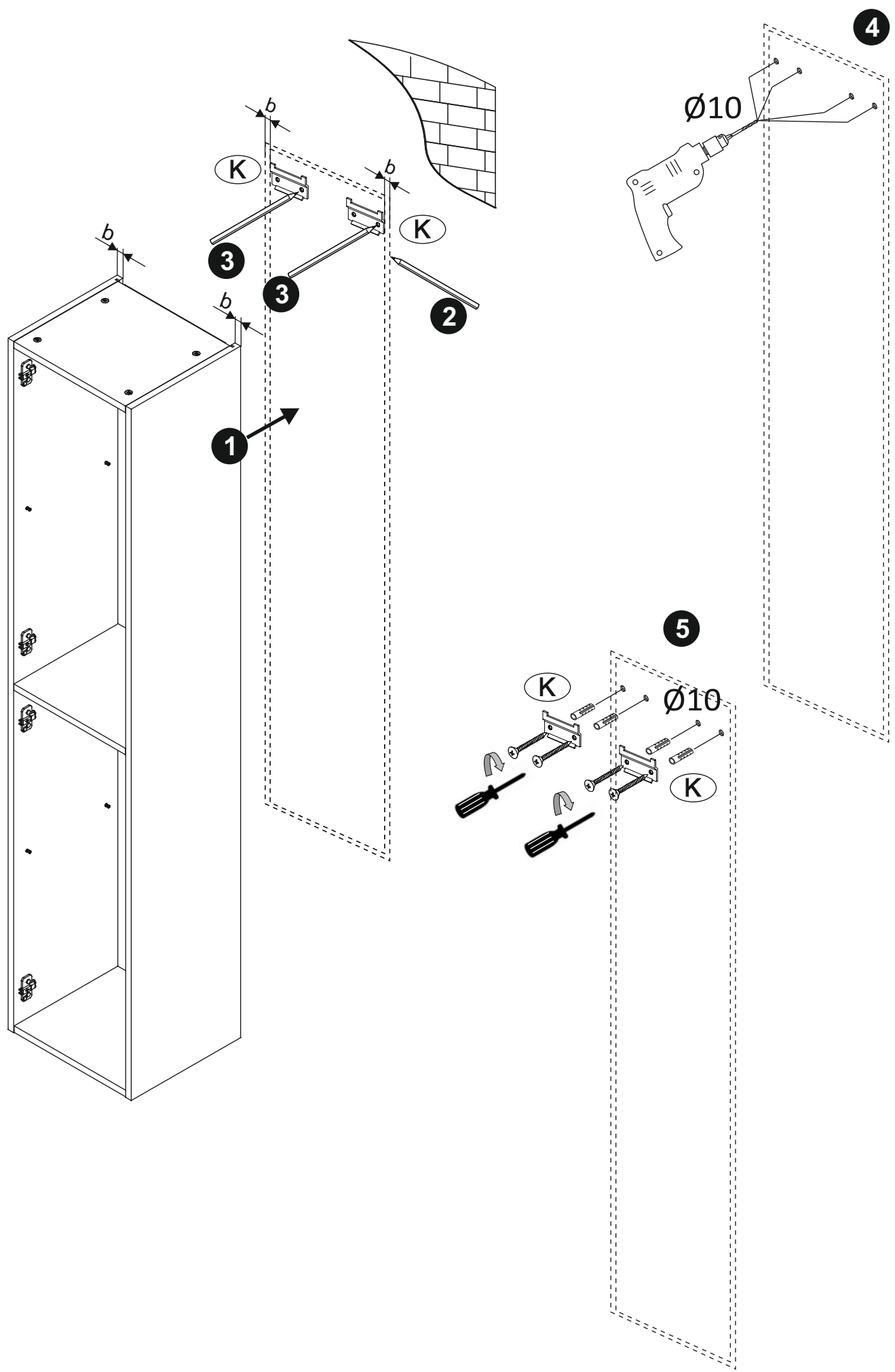
2



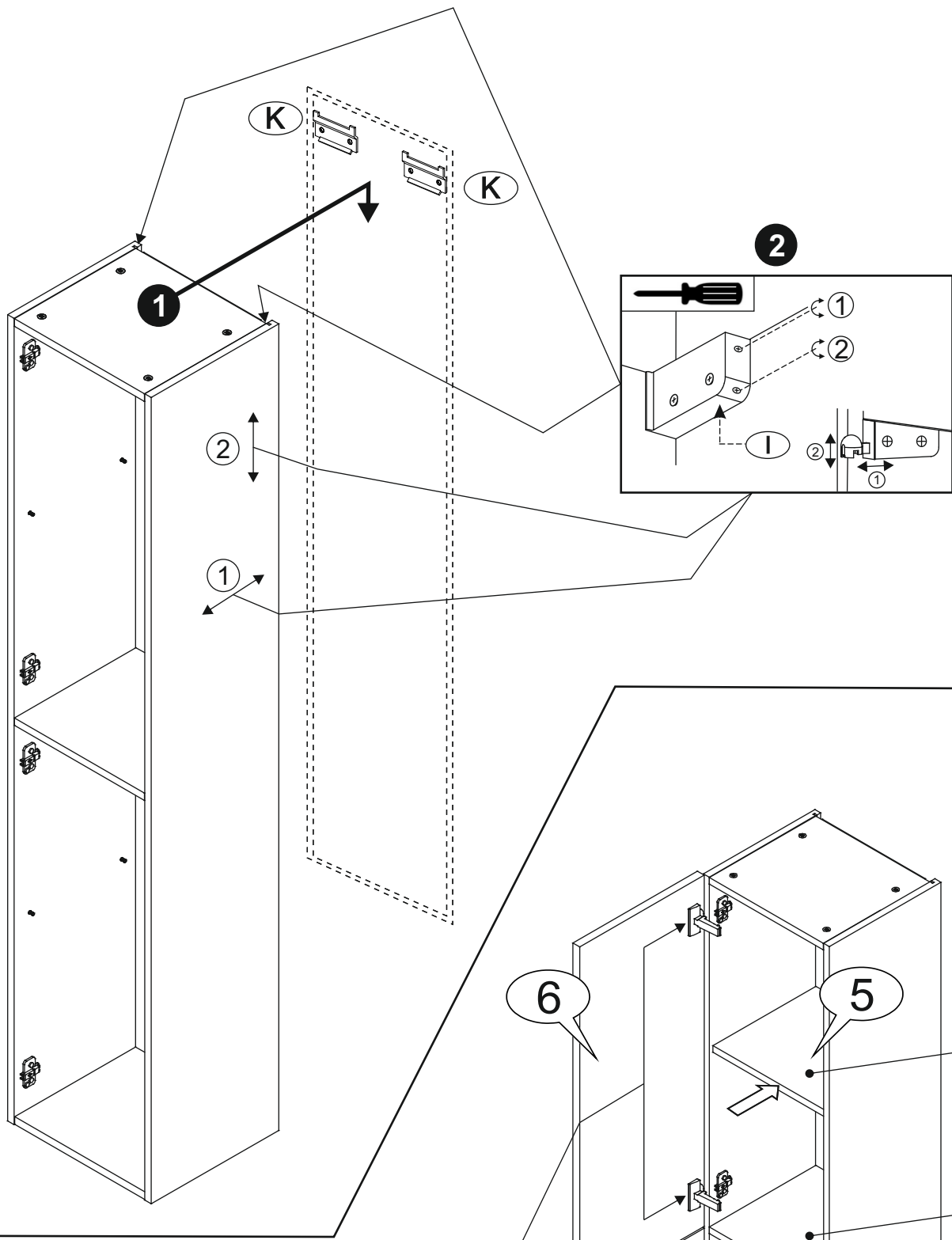
3







6



7

