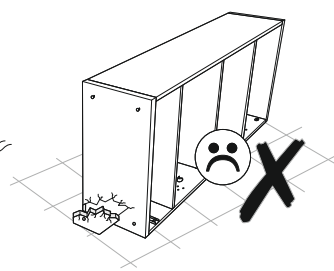
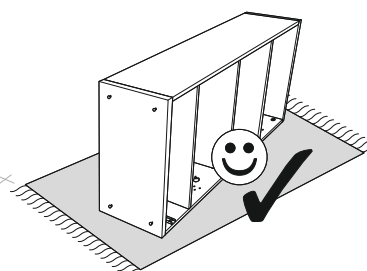
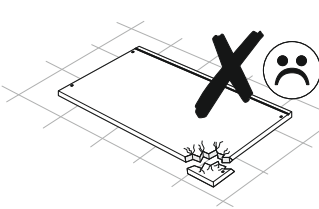
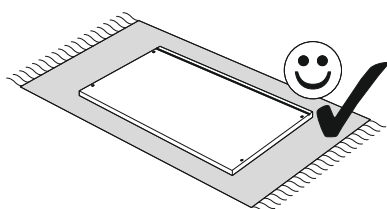
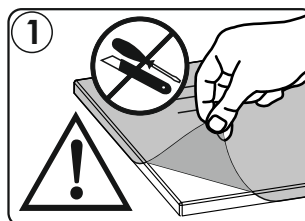
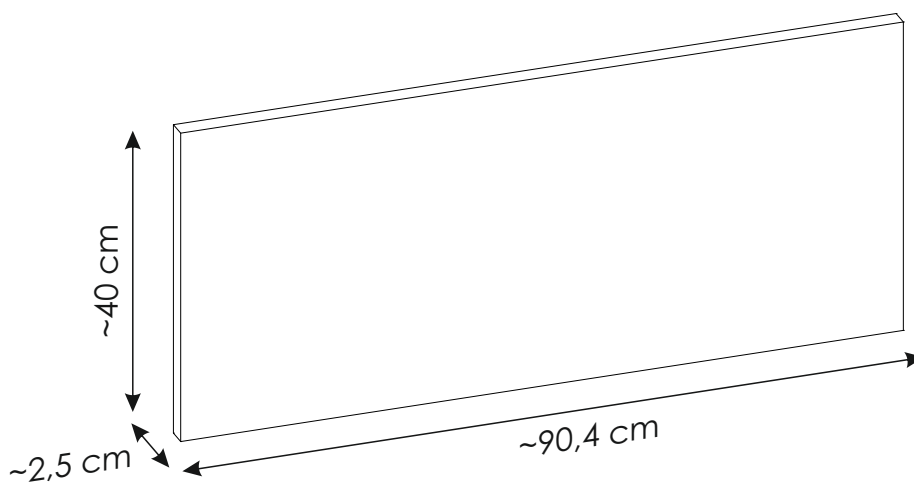
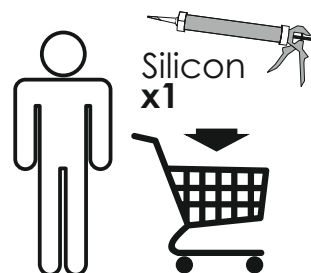
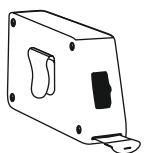
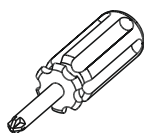
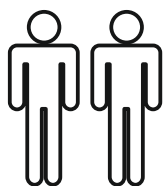
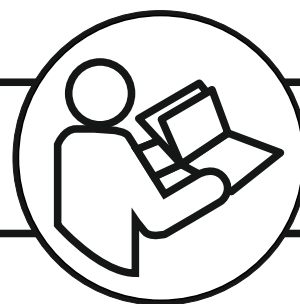
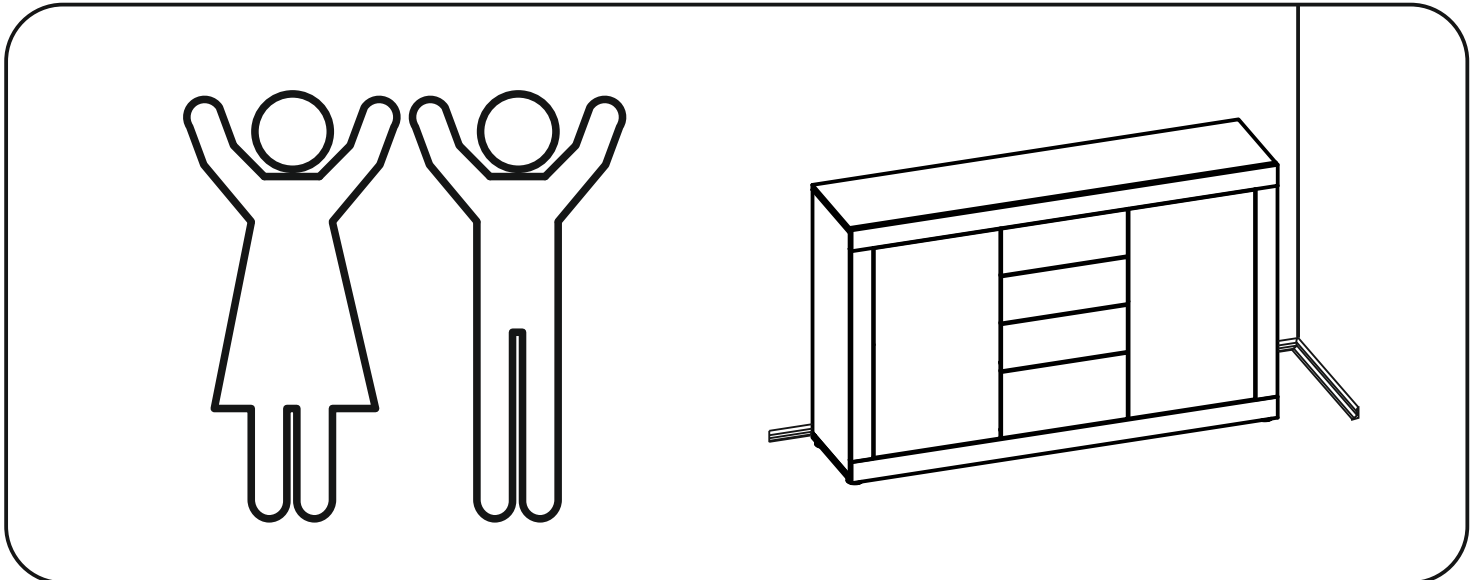
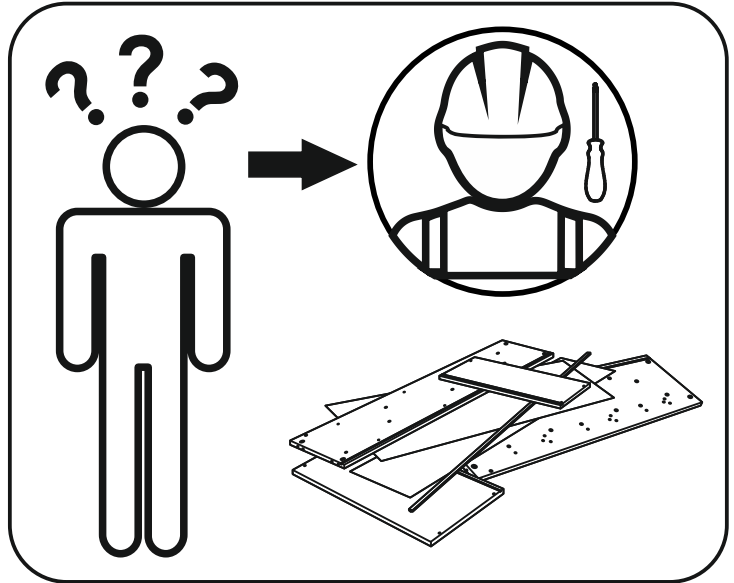
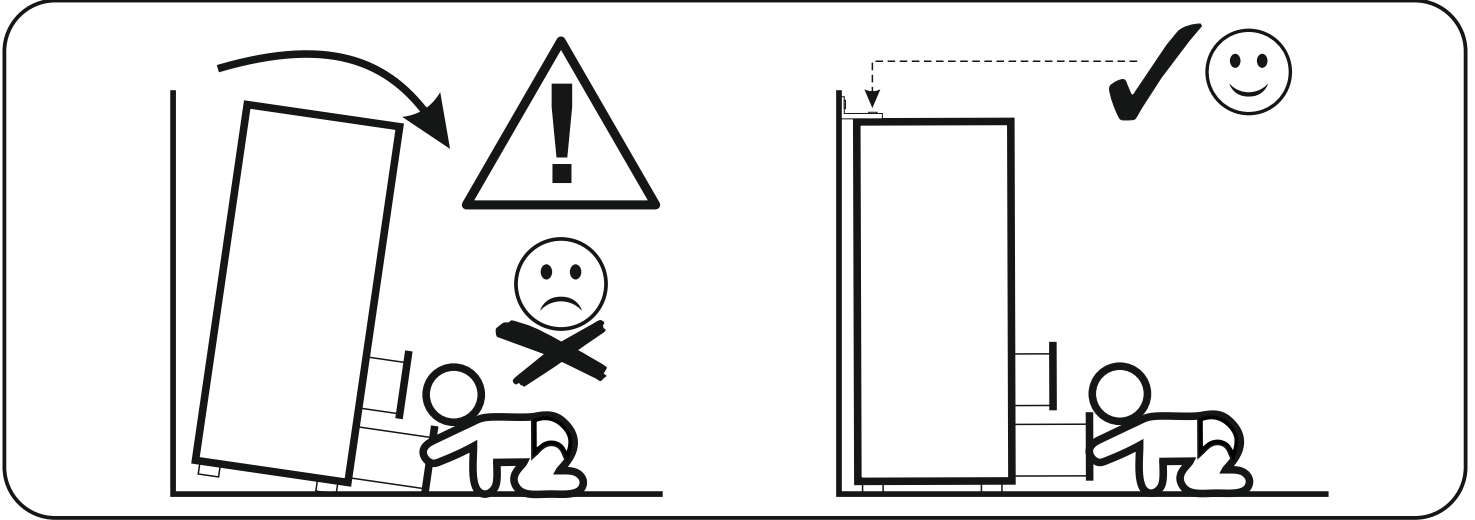
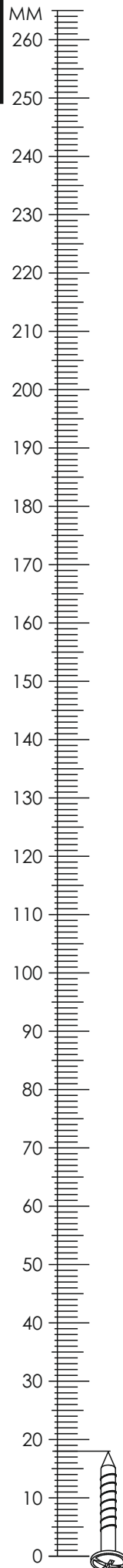



TYP 004-89-90-B

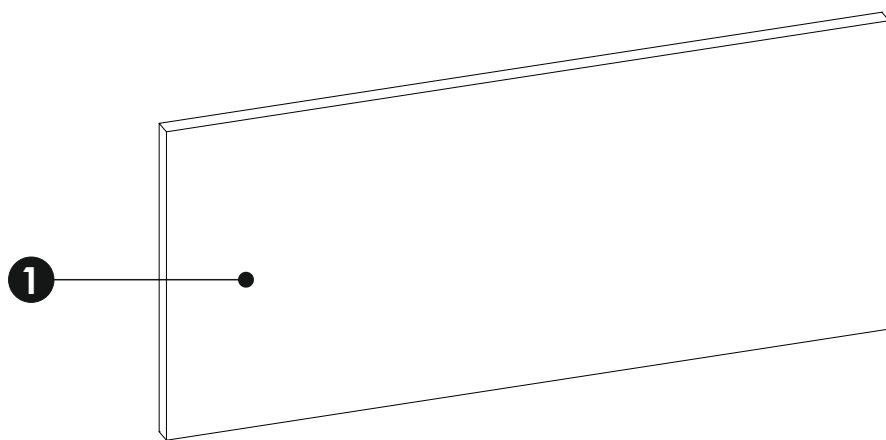




TYP 004-89-90-B

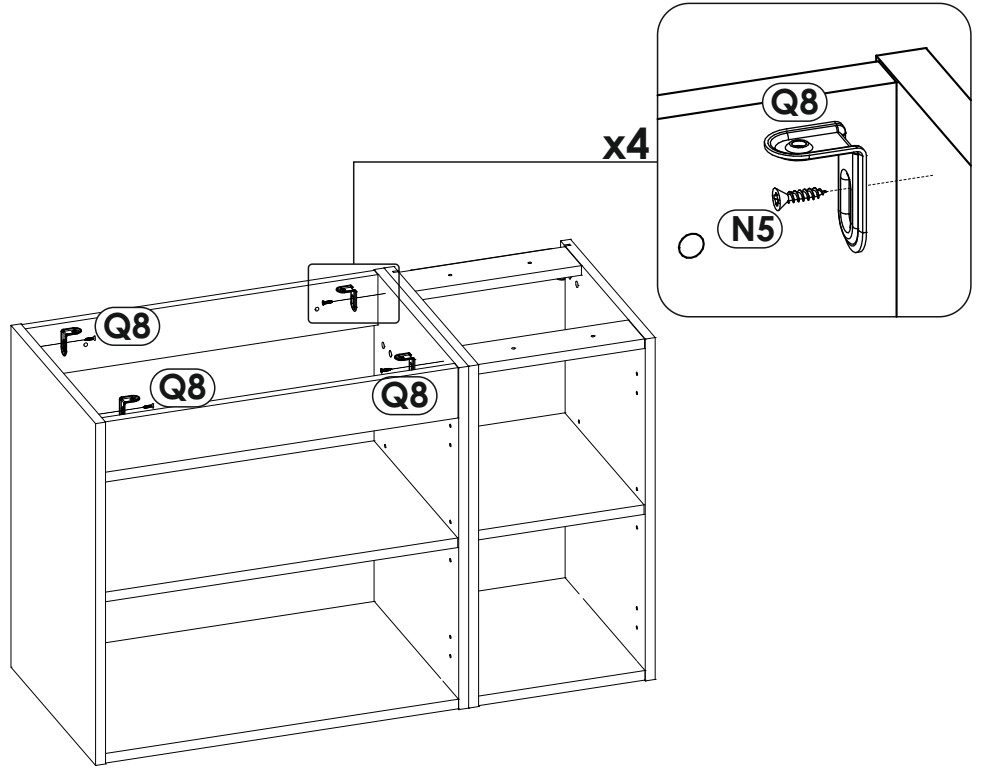
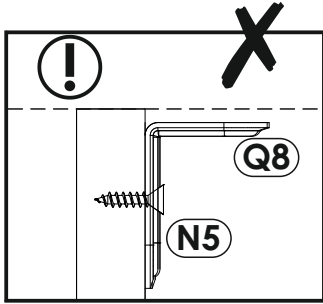
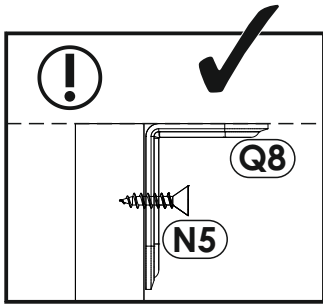


N5	3,5 x 16 mm	x16	Q8		x8
-----------	-------------	-----	-----------	---	----

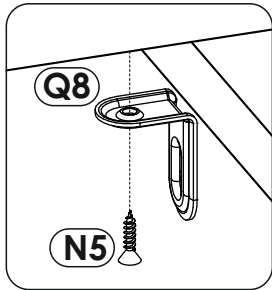


1	904	400	25	x1	1/1
----------	-----	-----	----	----	-----

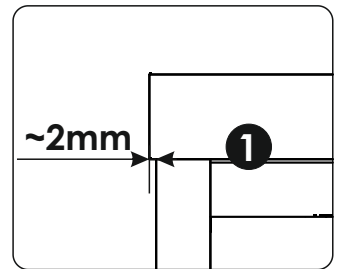
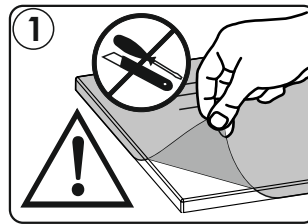
1 ▶



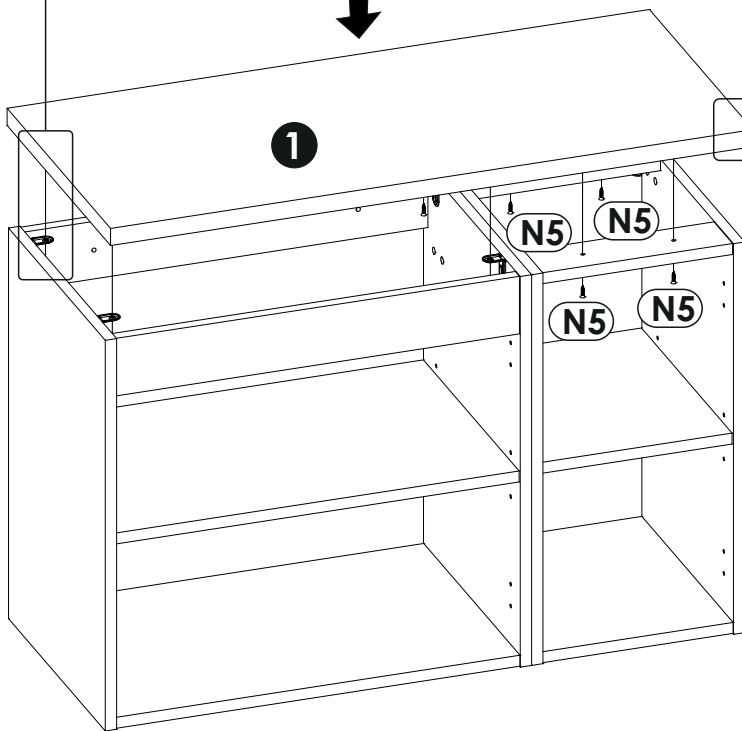
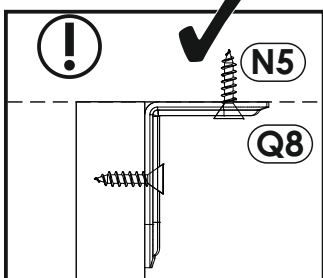
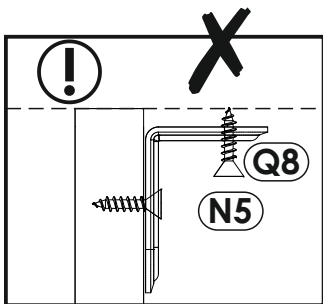
2 ▶



x4



1



3 ▶

