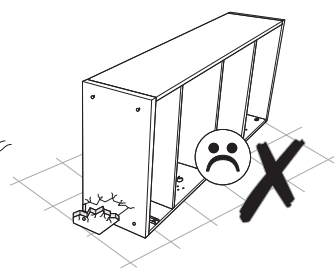
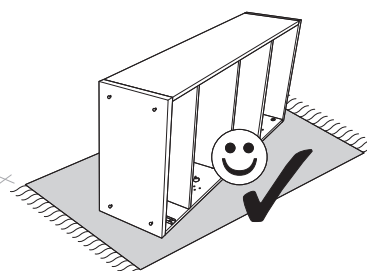
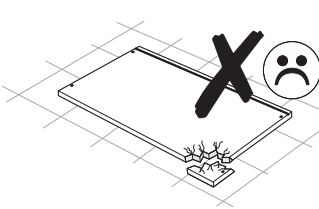
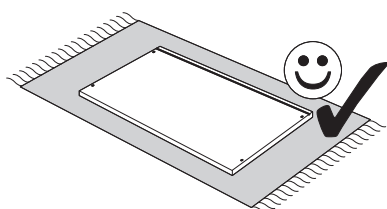
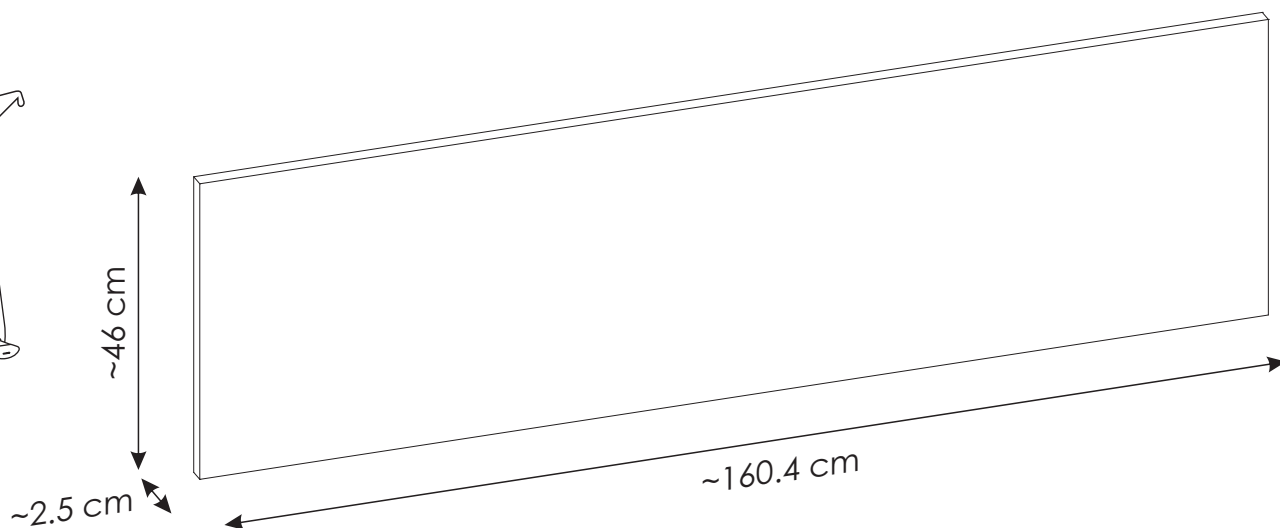
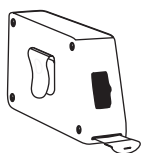
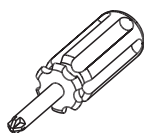
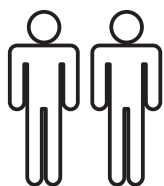
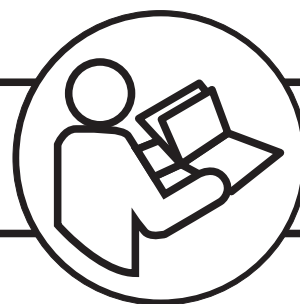
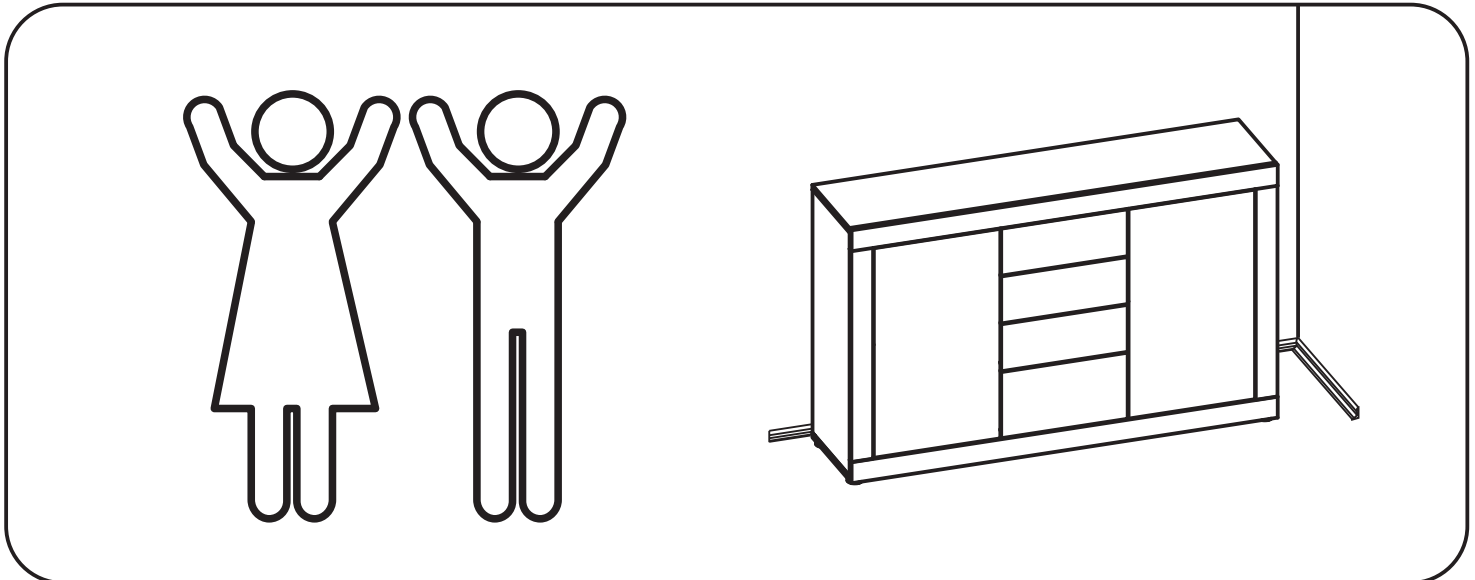
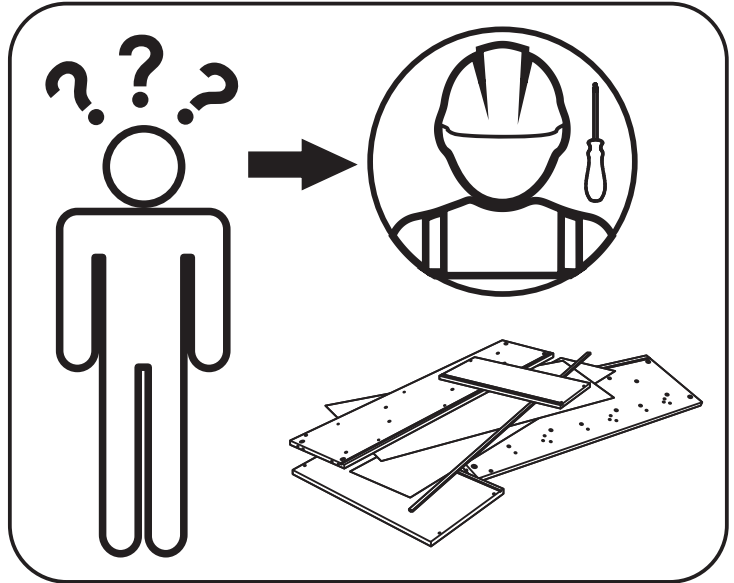
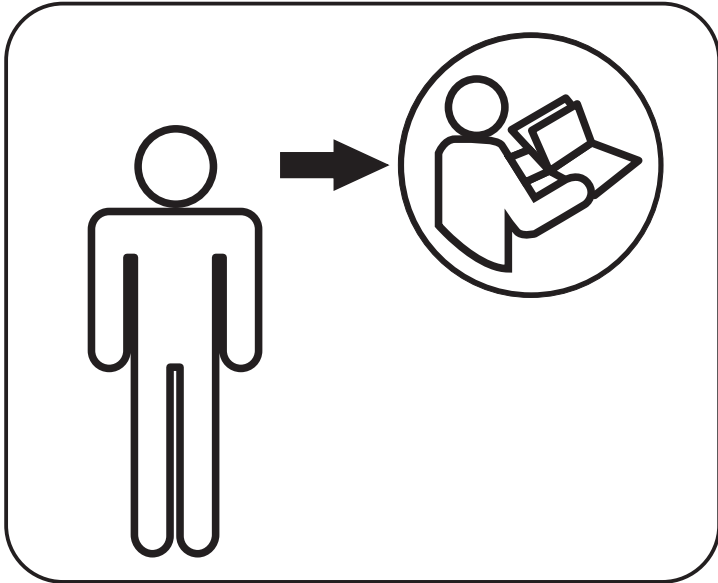
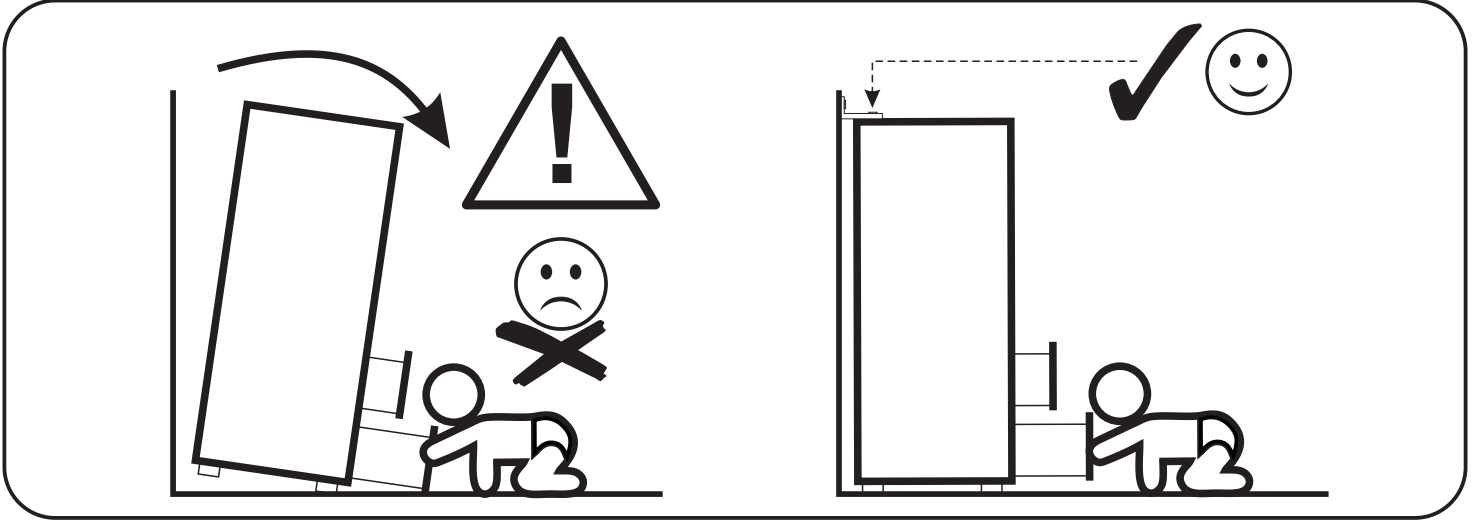
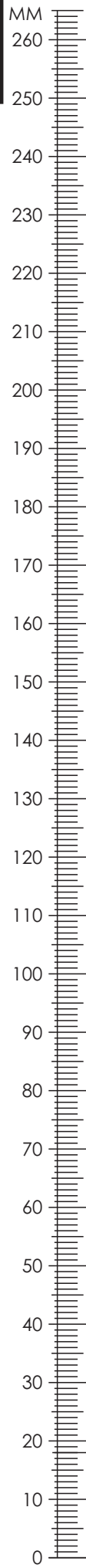



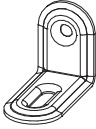
SANTA FE 89-160



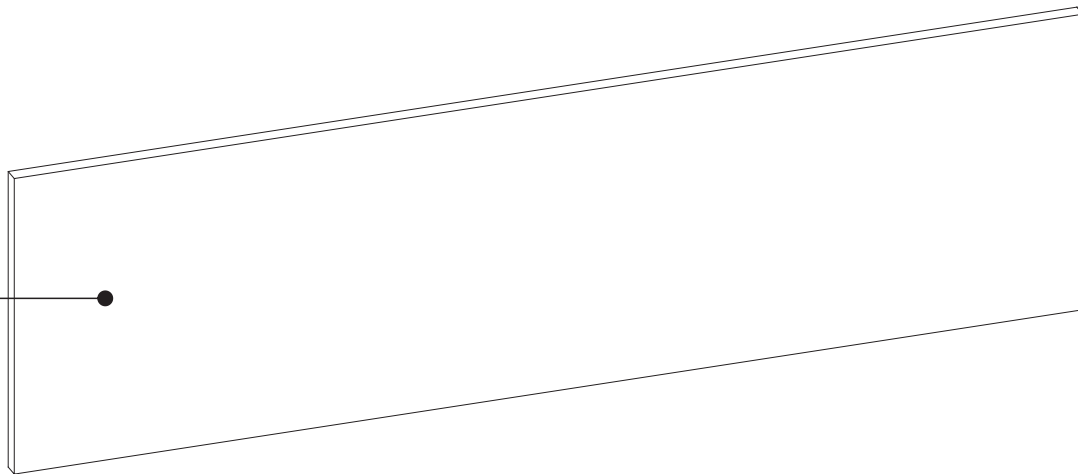


SANTA FE 89-160



N5	3,5 x 16 mm	x24	Q8	x12
				

1 

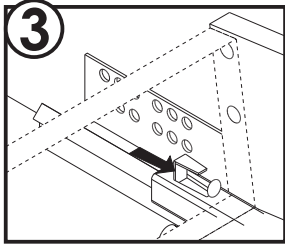
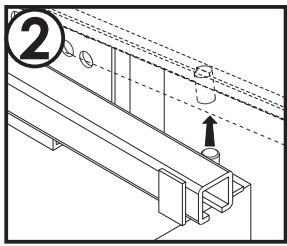
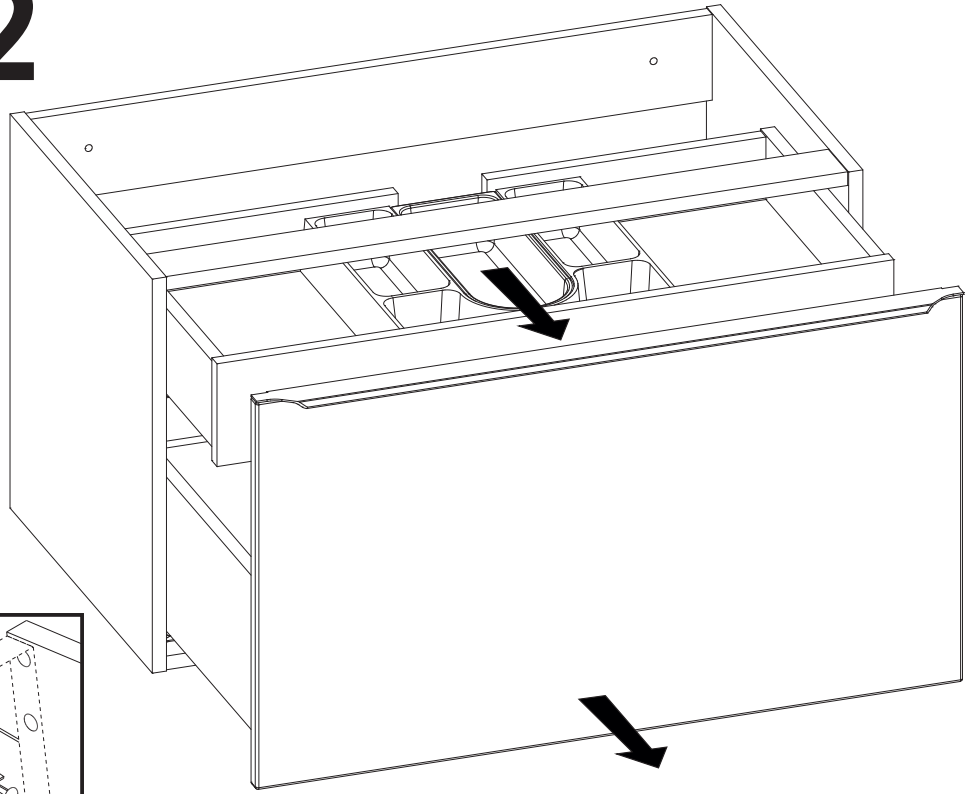
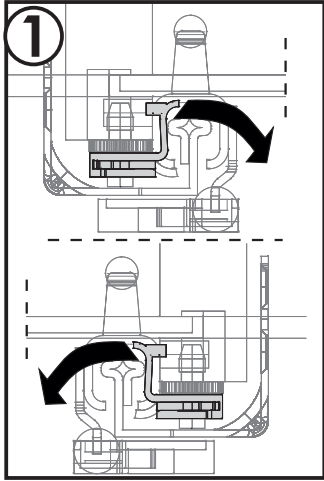


1	1604	460	25	x1	1/1
----------	------	-----	----	----	-----

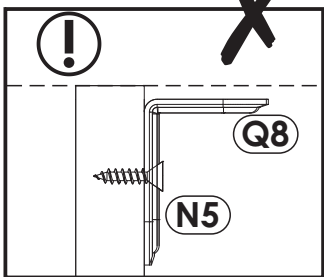
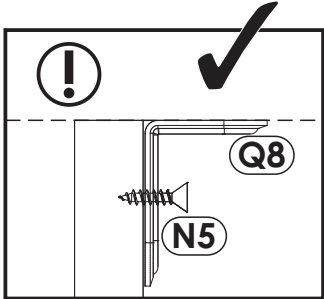


1 ▶

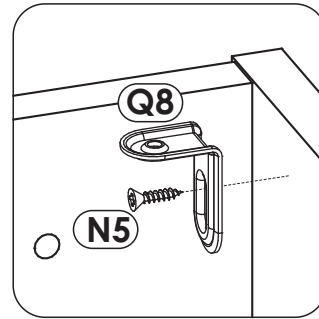
x2



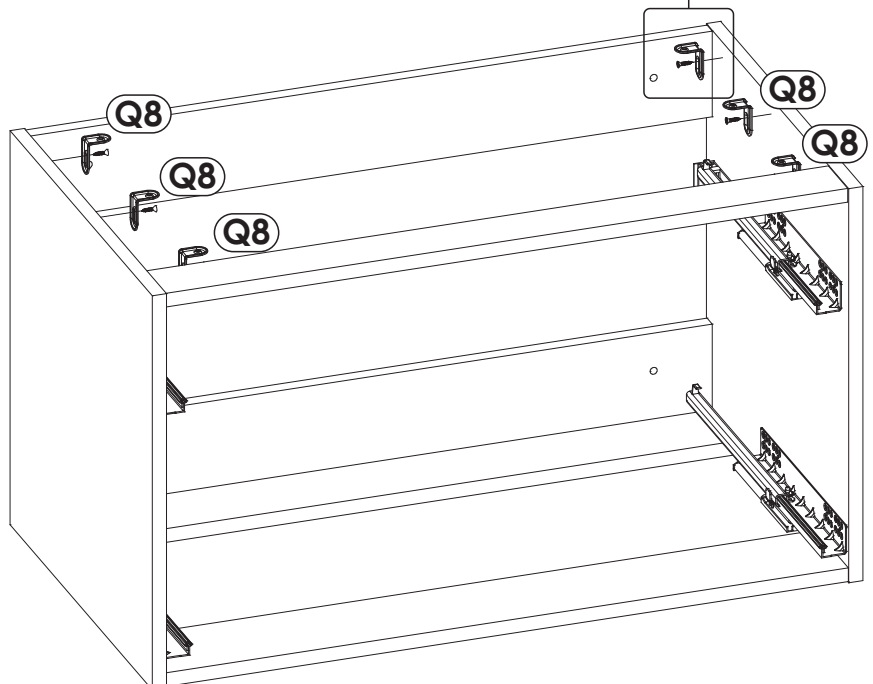
2 ▶

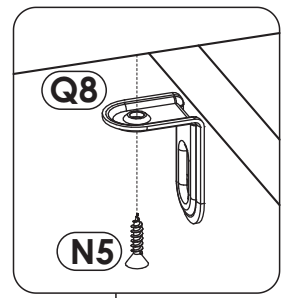
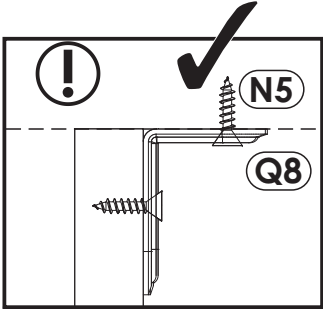
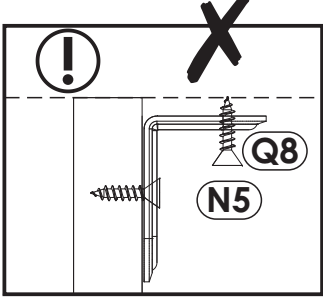
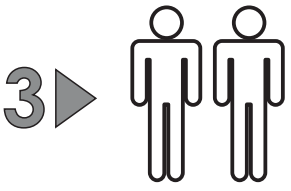


x2



x6





x12

