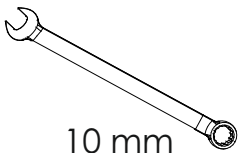
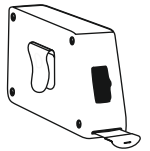
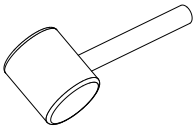
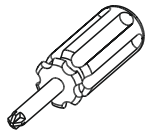
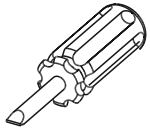
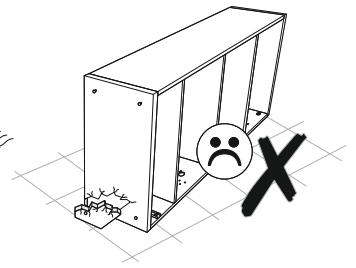
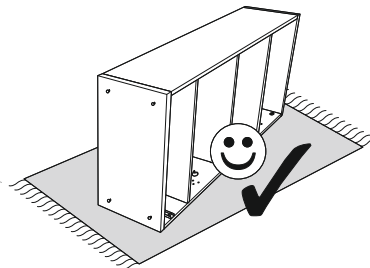
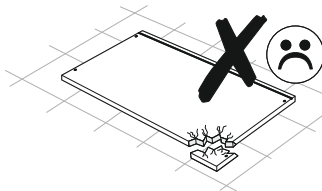
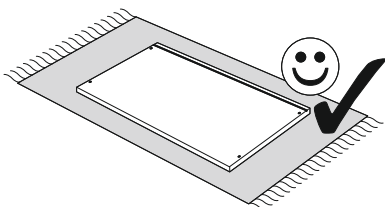
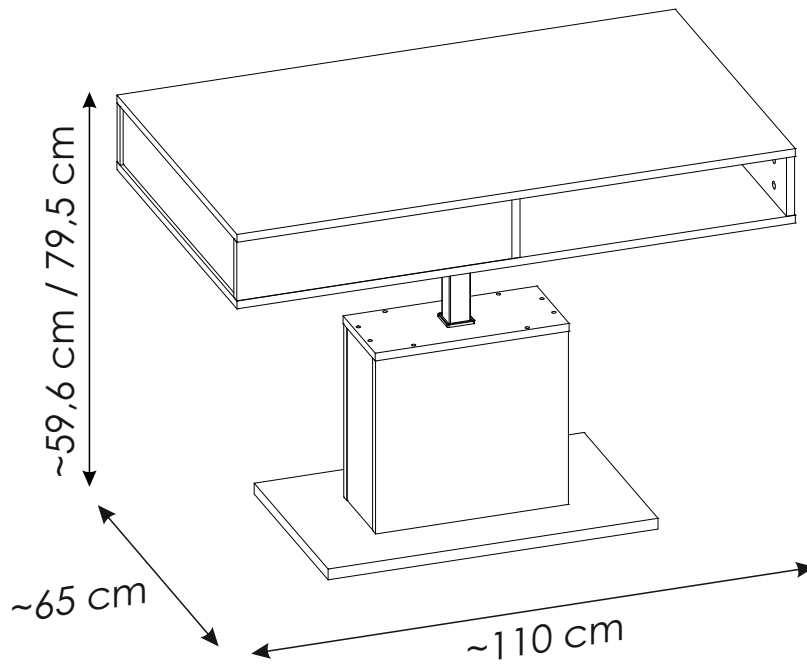


CRTT04

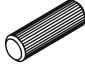




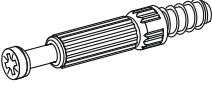
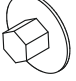



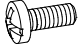

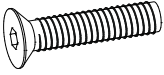
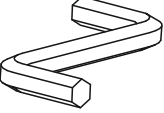
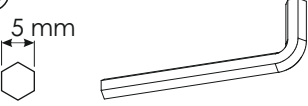



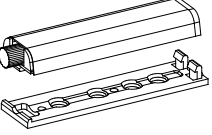

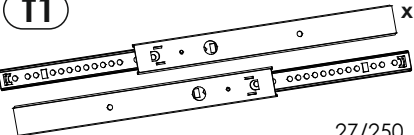
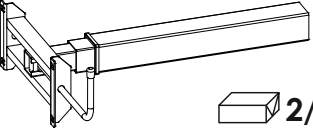


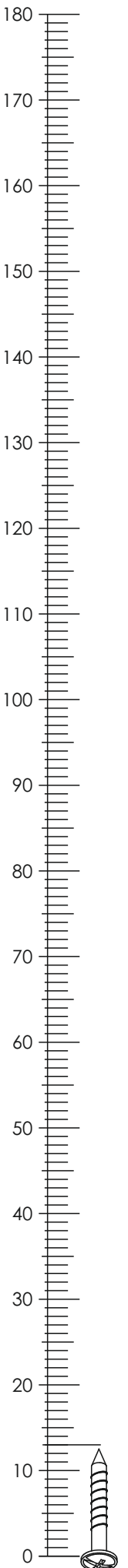
10 mm



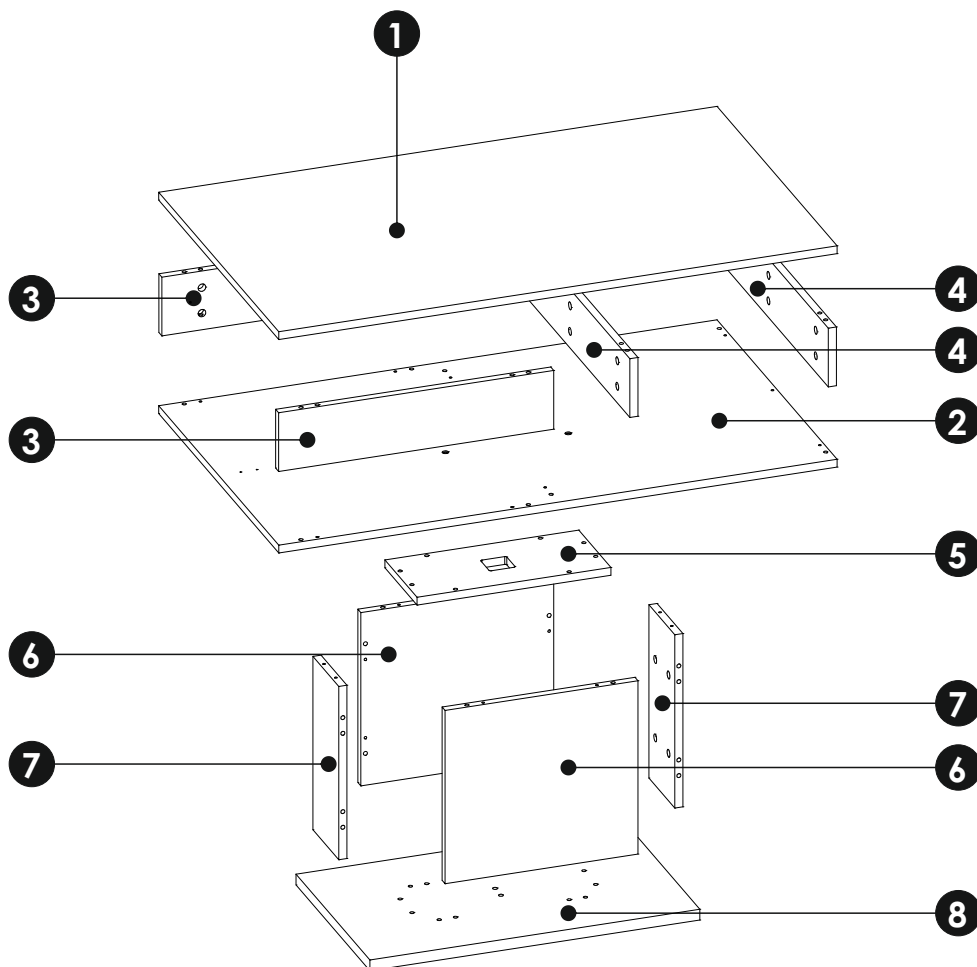
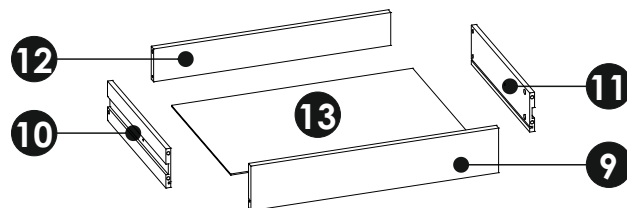
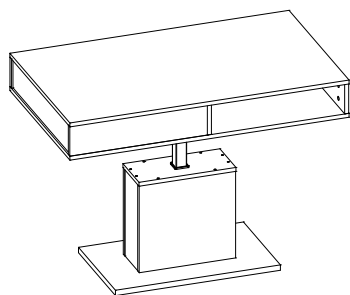


CRTT04

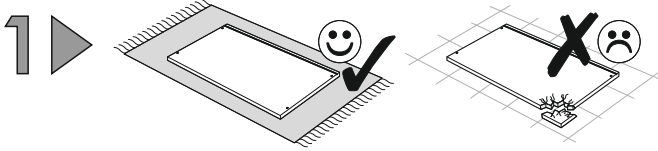
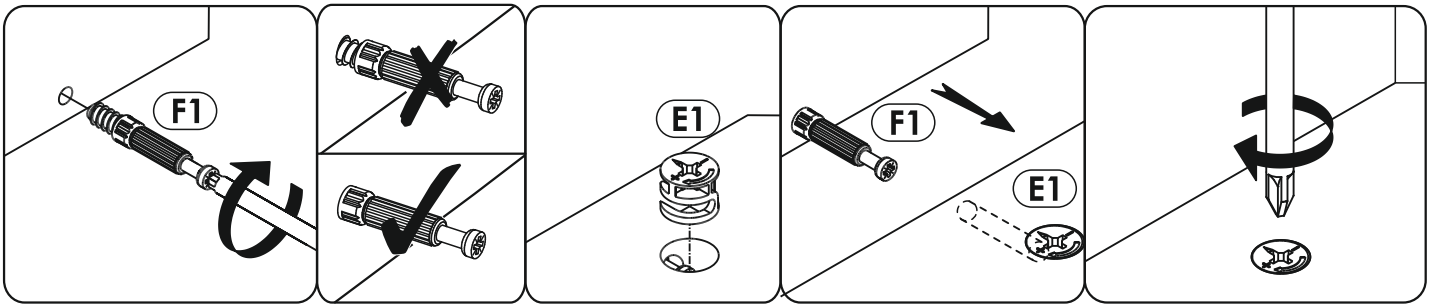
A1 8 x 35 mm x34 	C2 5 x 13 mm x4 	E0 Ø16 x8 
E1 15 x 12 mm x28 	E3 12 x 10 mm x4 	F1 6 x 34 mm x32 
G0 	G1 7 x 50 mm x10 	G2 7 x 60 mm x8 
KN2 M6 x4 	K1 4 x 9 mm x2 	K23 6 x 35 mm x4 
K25 8 x 40 mm x2 	M x1 	M5 5 mm x1 
N1 3 x 16 mm x5 	N5 3,5 x 16 mm x2 	O2A Ø20 x6 
R6 x1 	S10 x4 	T1 x1  27/250
X x1  2/2		



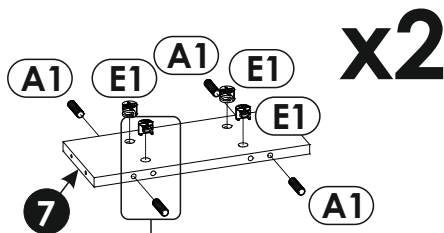
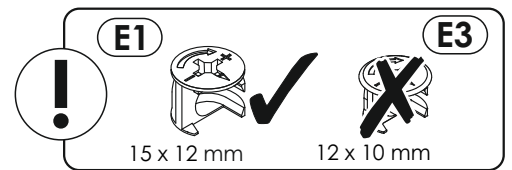
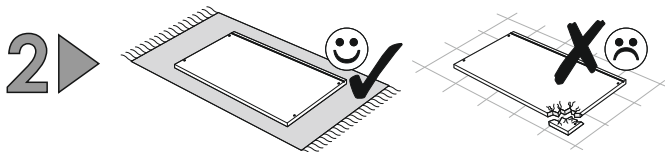
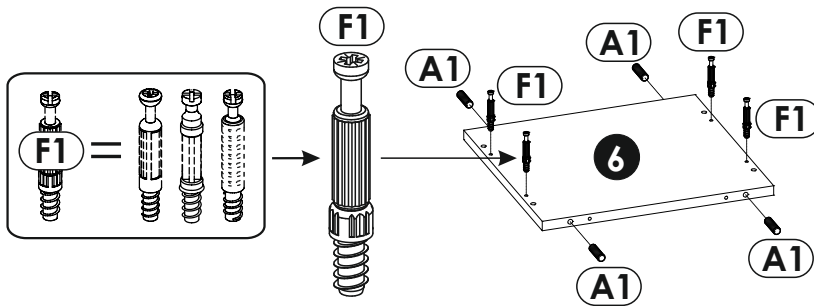
CRTT04



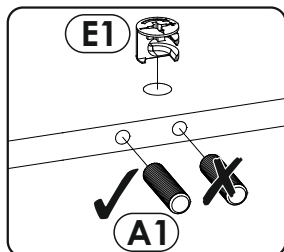
1	1100	650	16	x1	1/2	8	650	400	22	x1	1/2
2	1100	650	16	x1	1/2	9	610	114	16	x1	1/2
3	542	120	16	x2	1/2	10	395	100	12	x1	1/2
4	648	120	16	x2	1/2	11	395	100	12	x1	1/2
5	382	174	16	x1	1/2	12	584	84	16	x1	1/2
6	354	380	16	x2	1/2	13	594	400	3	x1	1/2
7	354	140	16	x2	1/2						

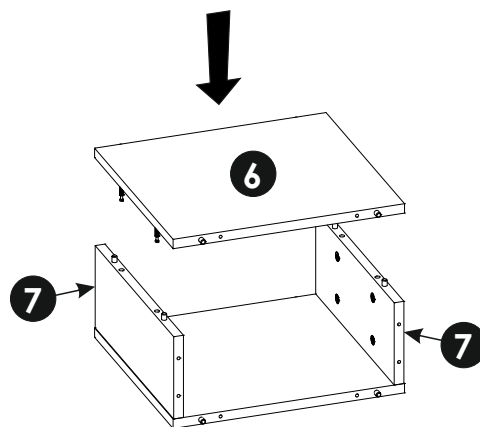
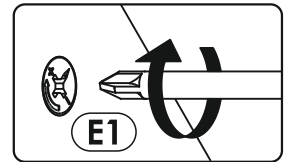
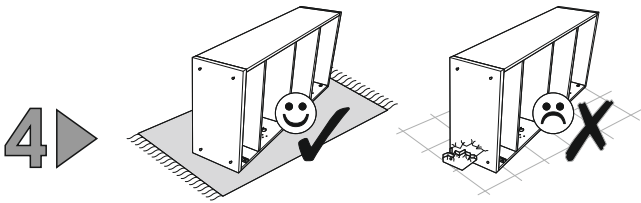
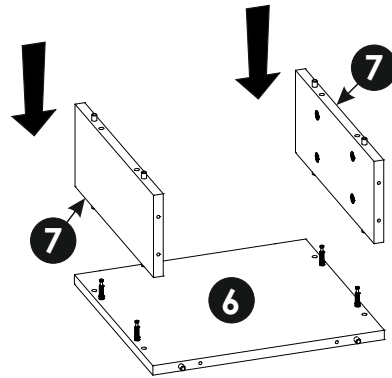
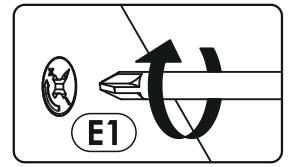
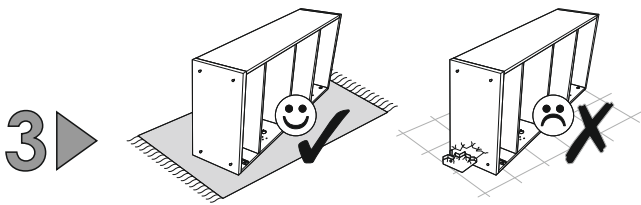


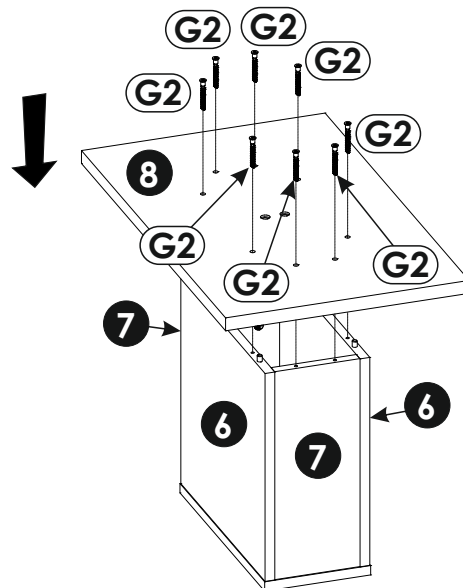
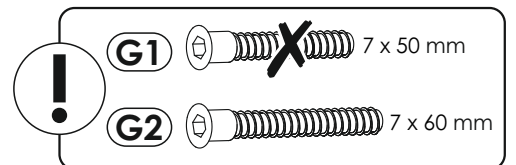
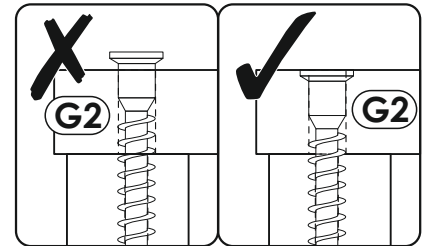
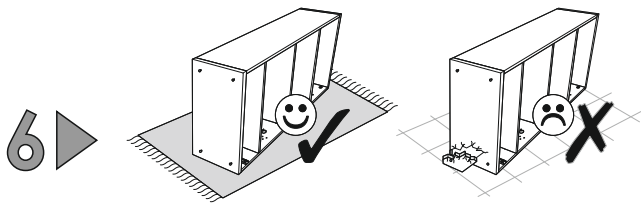
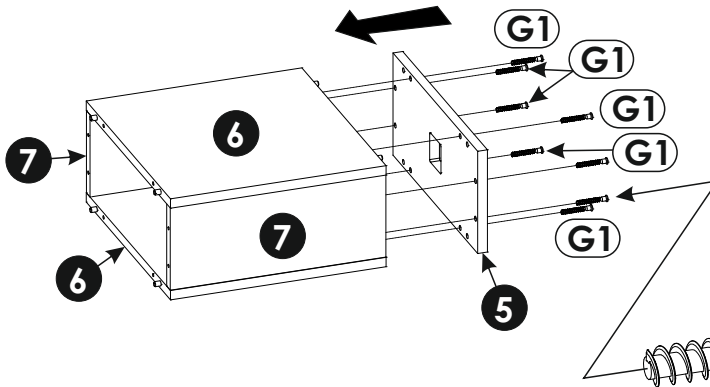
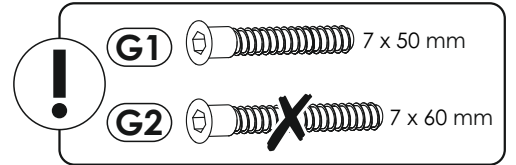
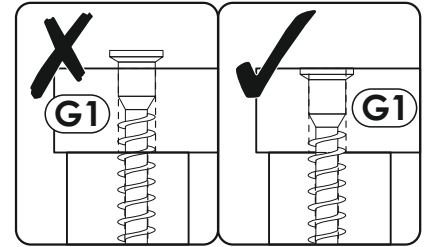
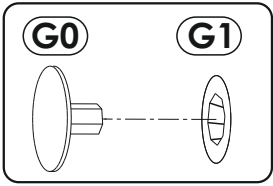
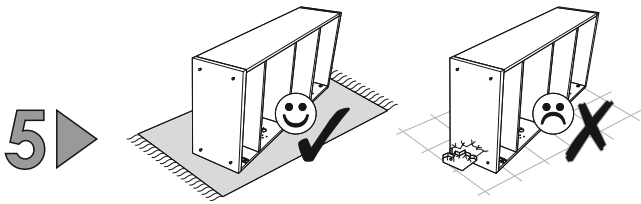
x2

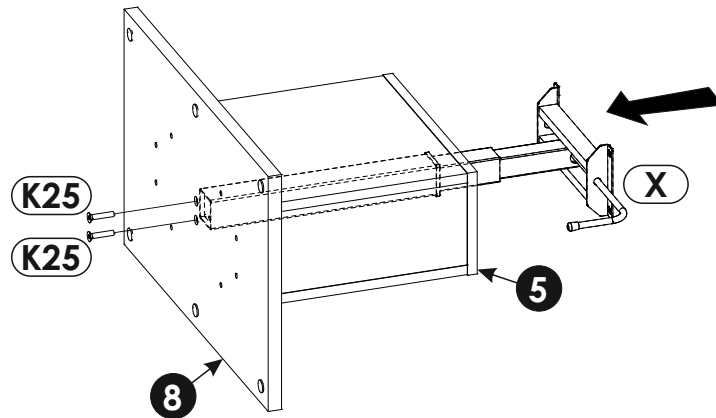
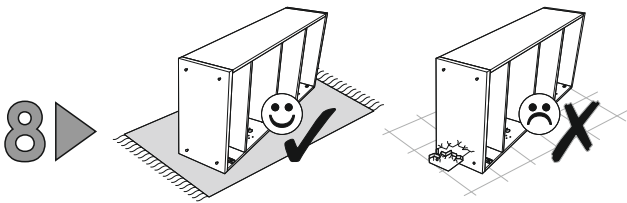
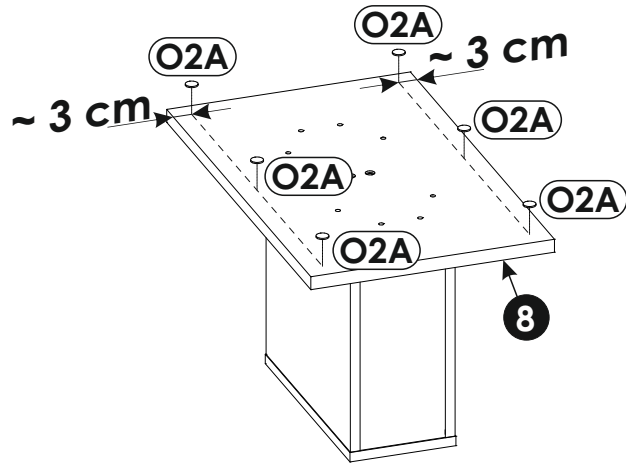
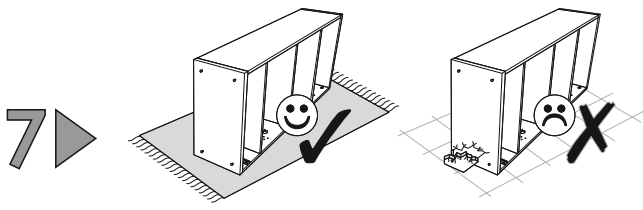


x2

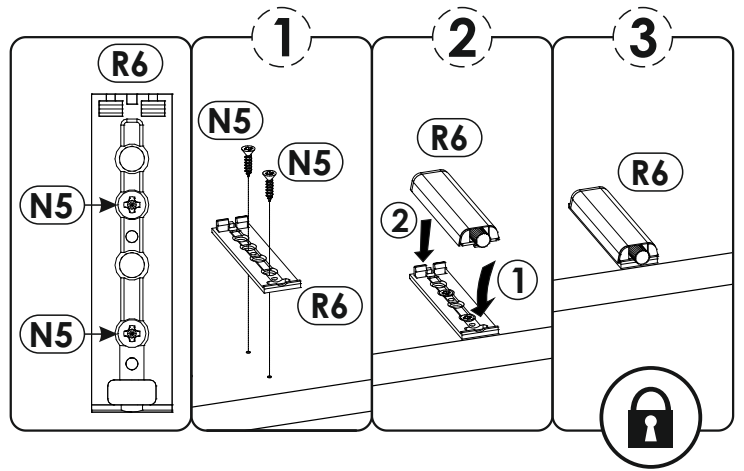
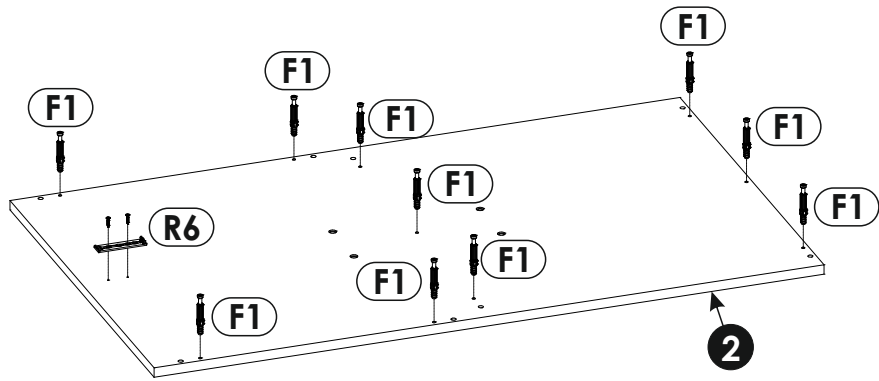
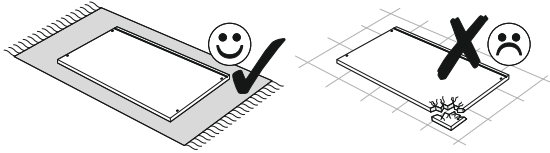




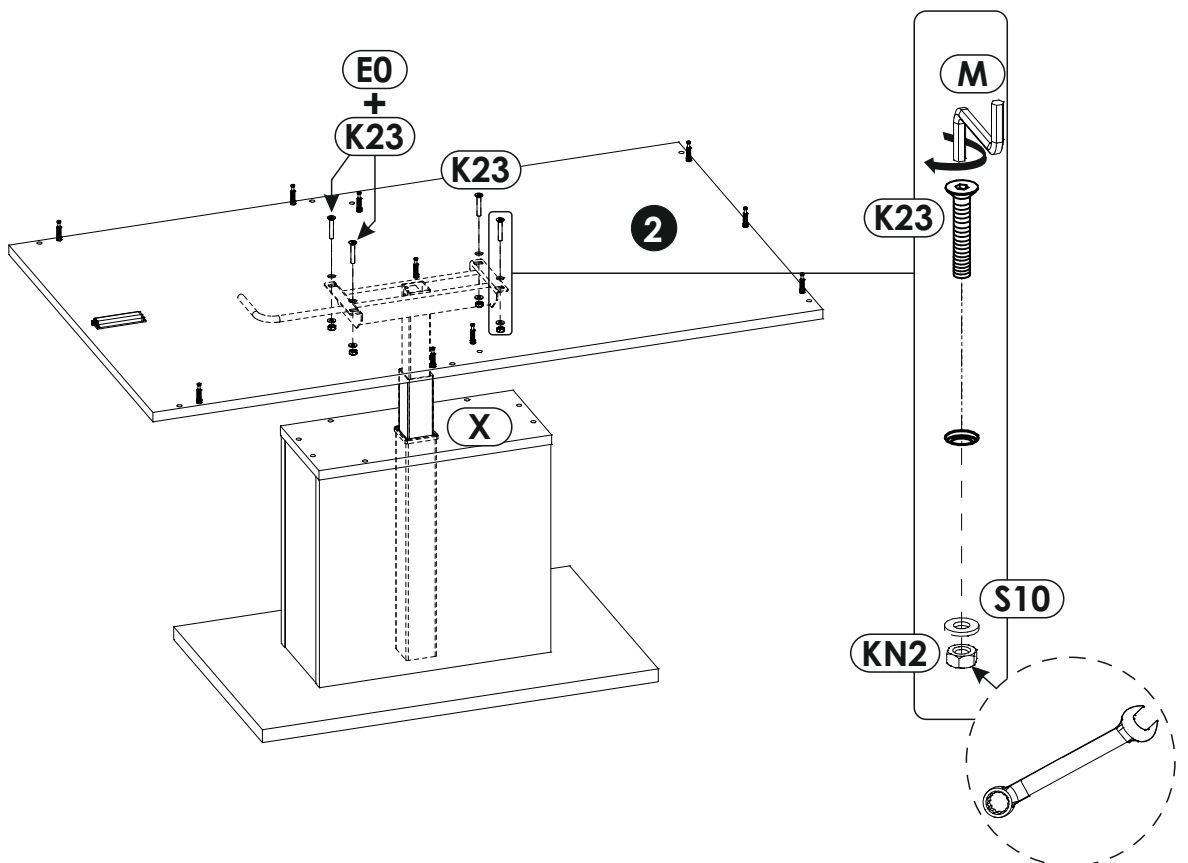




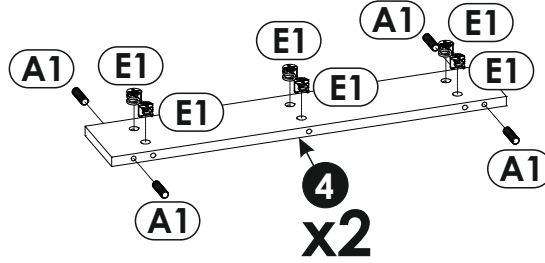
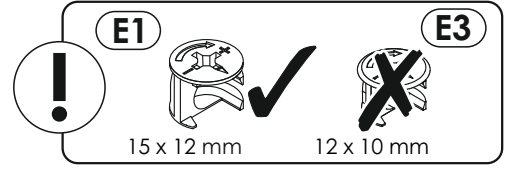
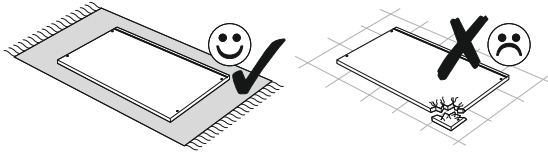
9 ▶



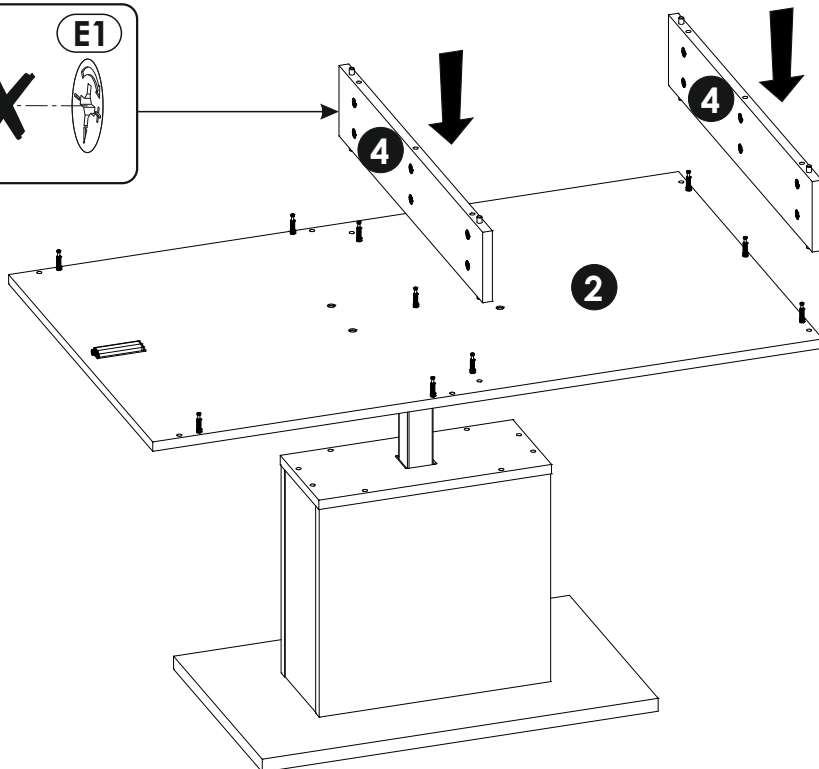
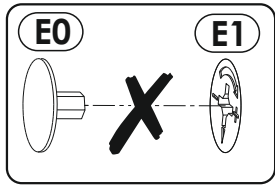
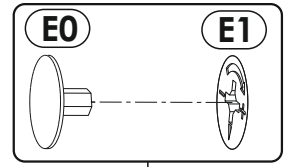
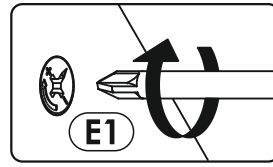
10 ▶



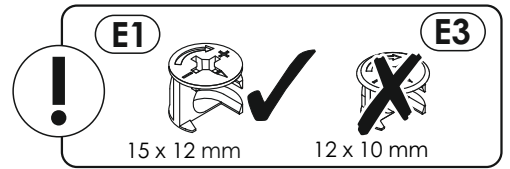
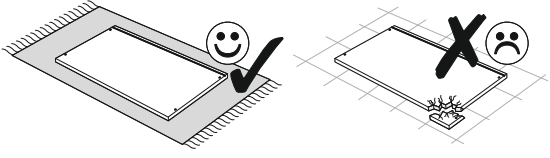
11 ▶



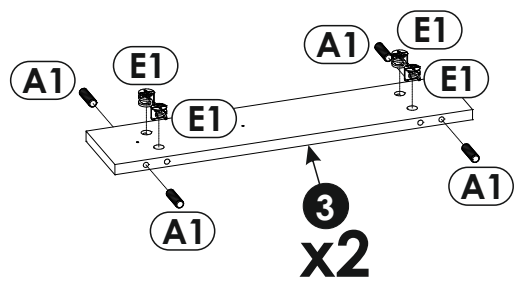
12 ▶



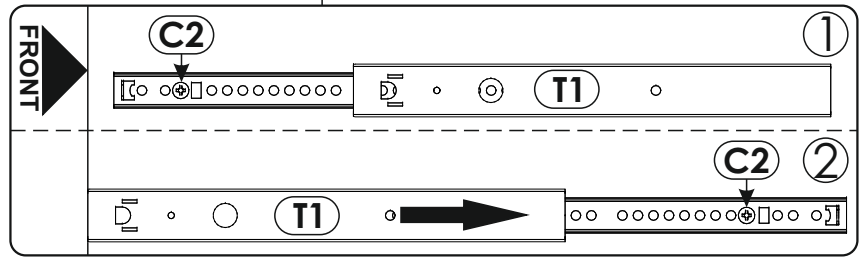
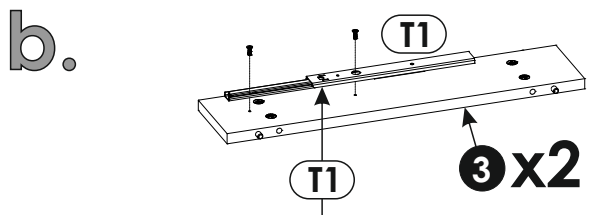
13▶



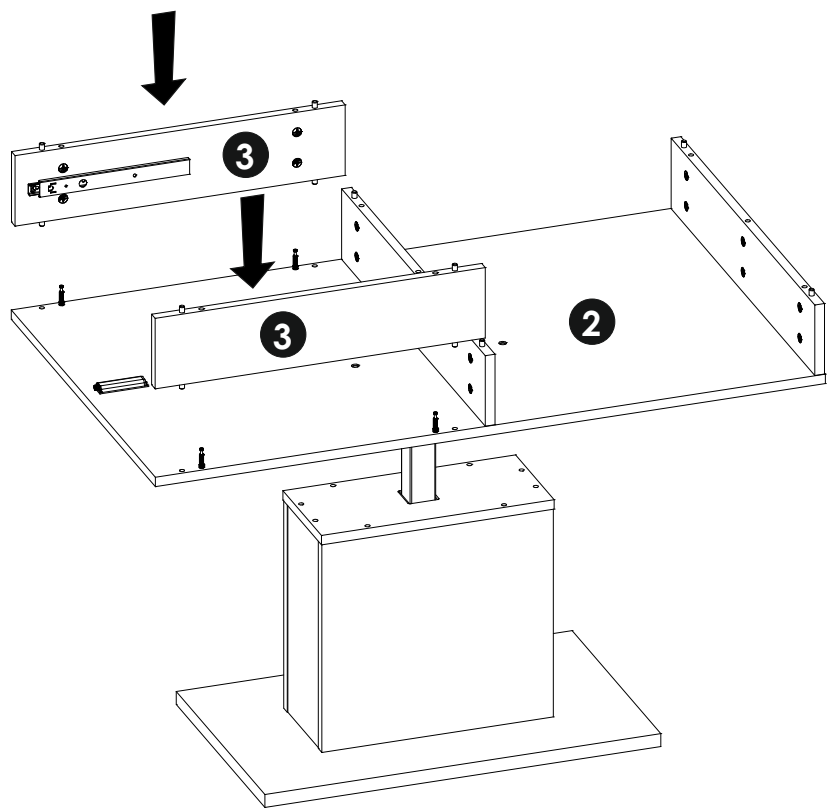
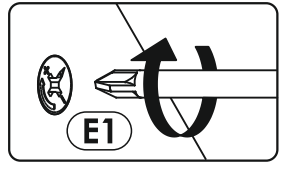
a.



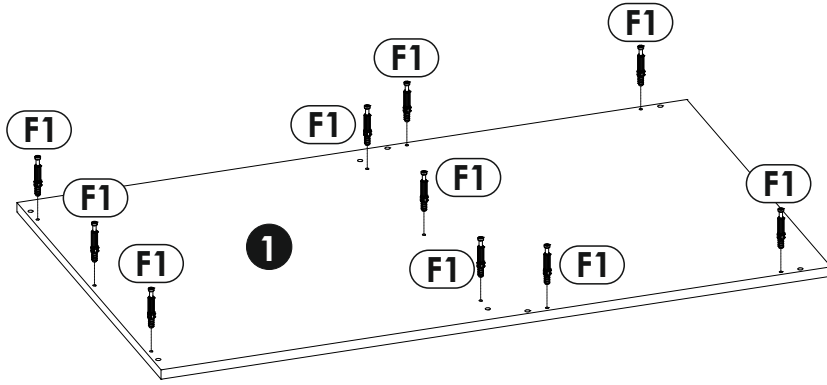
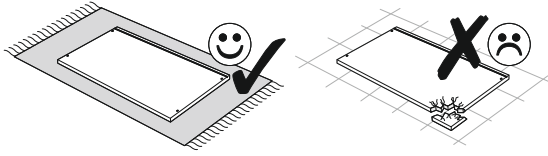
b.



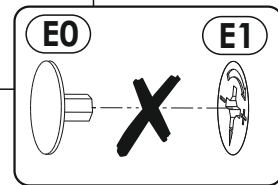
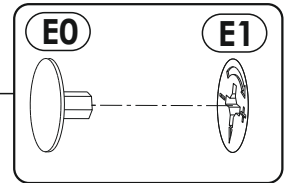
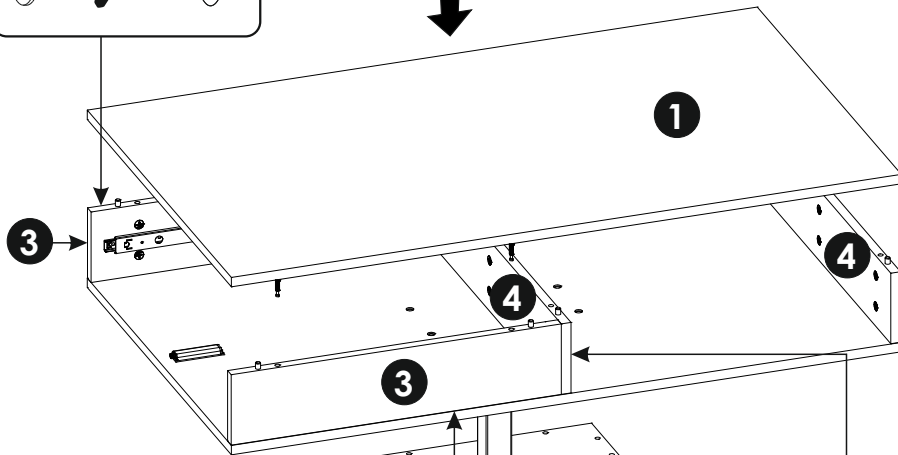
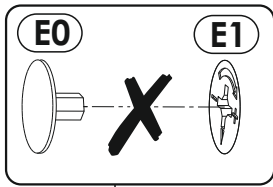
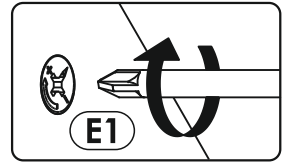
14▶



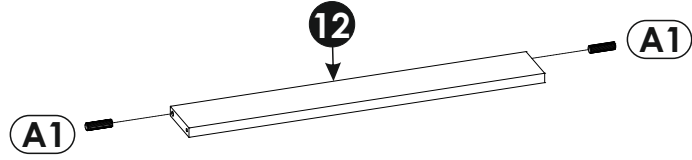
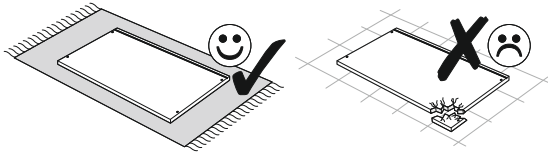
15▶



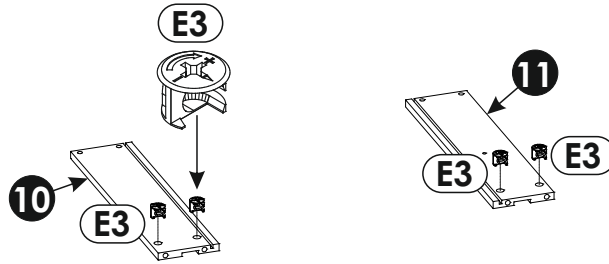
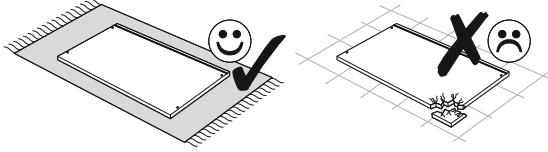
16▶



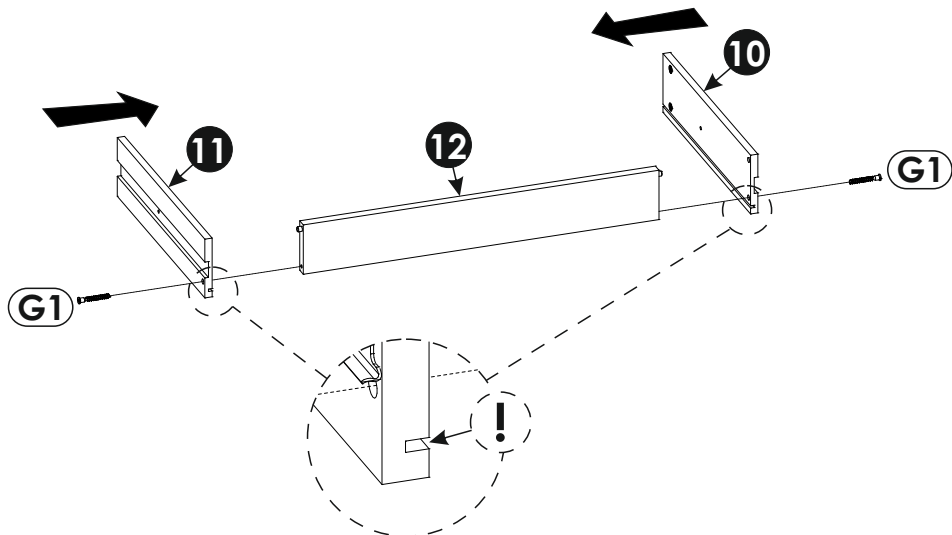
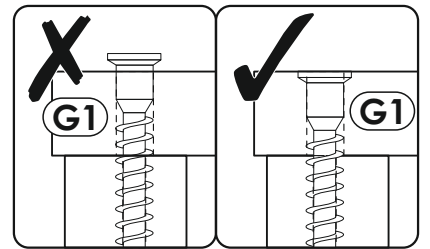
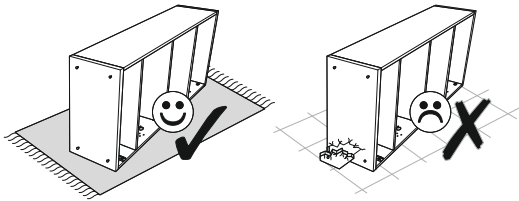
17▶



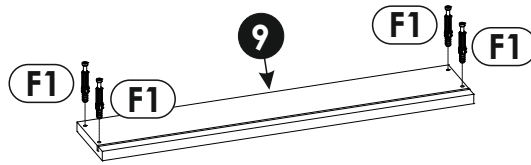
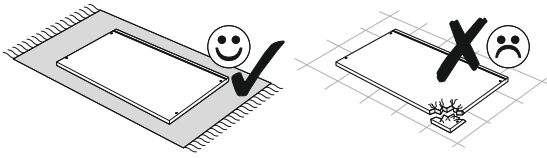
18▶



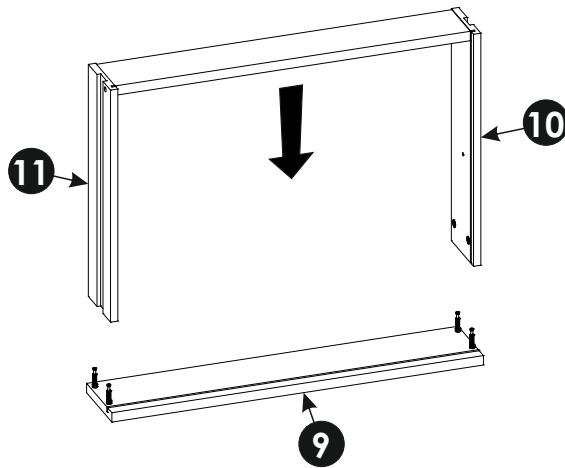
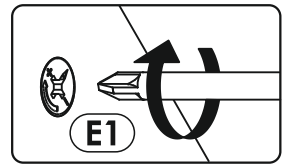
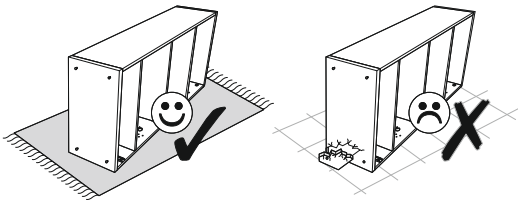
19▶



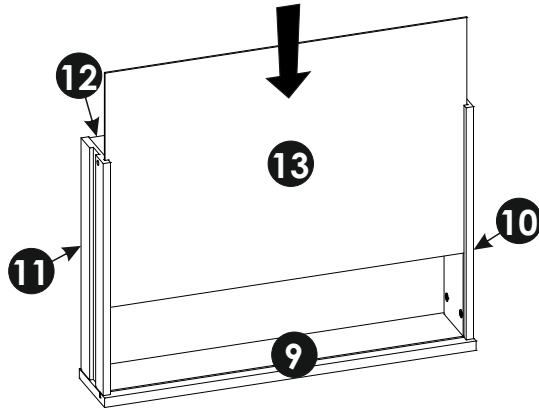
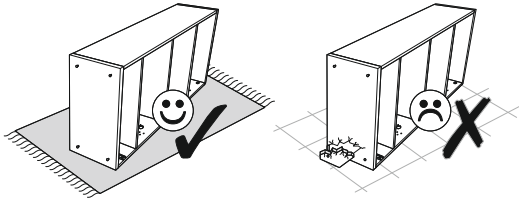
20 ▶



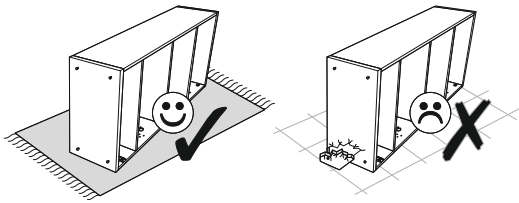
21 ▶



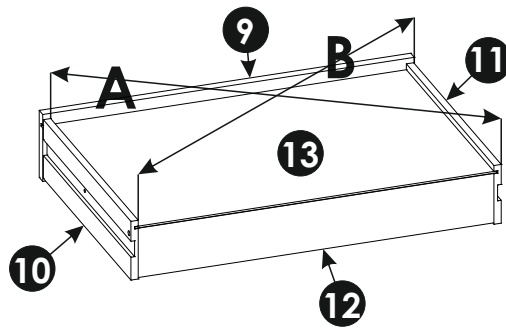
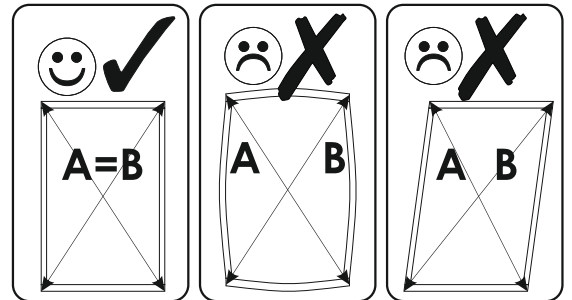
22 ▶



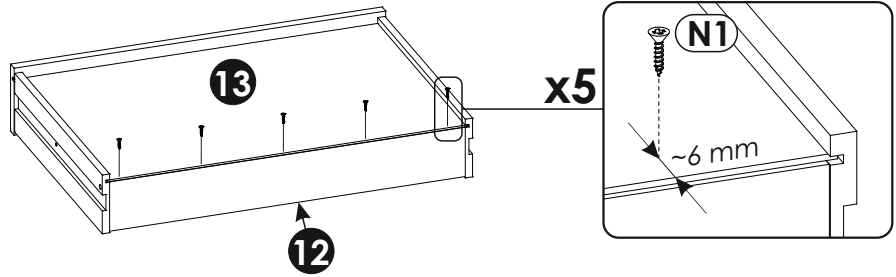
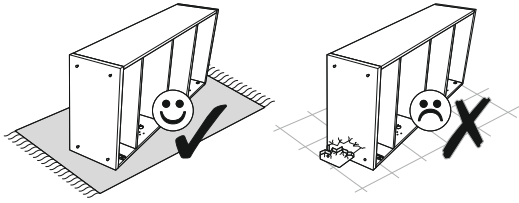
23 ▶



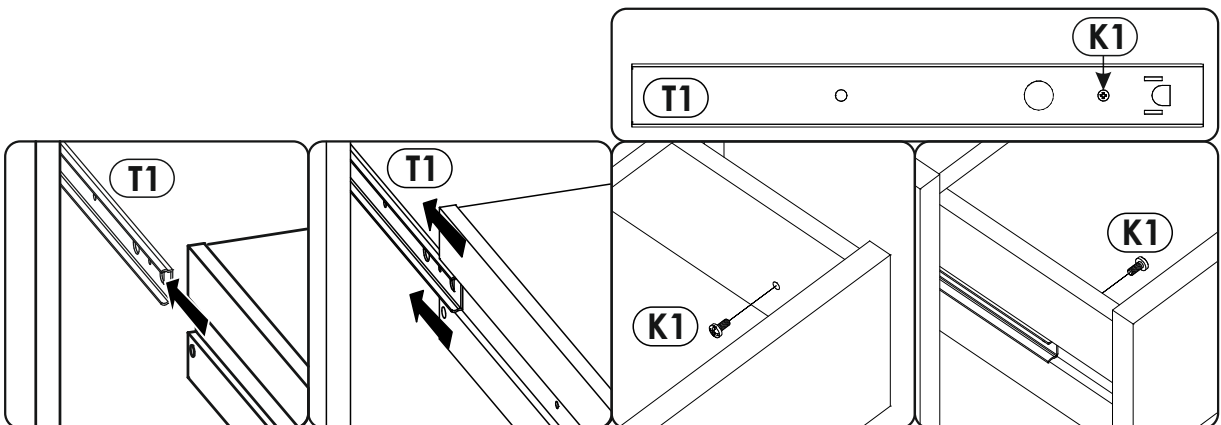
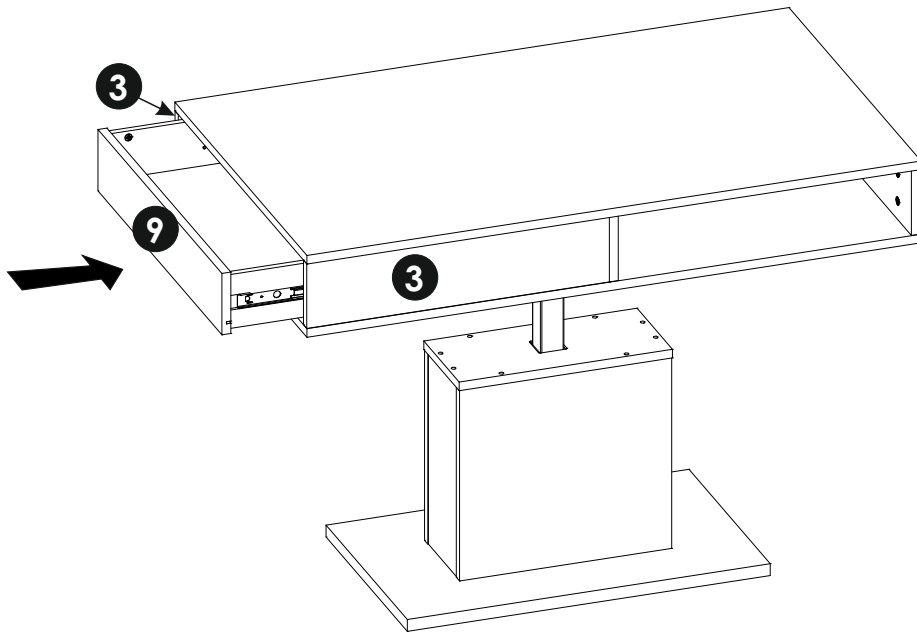
A=B

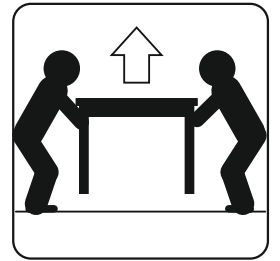


24 ▶



25 ▶





max
3kg

max
20kg

max
5kg

