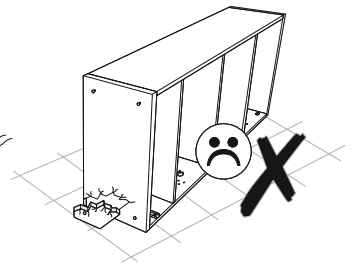
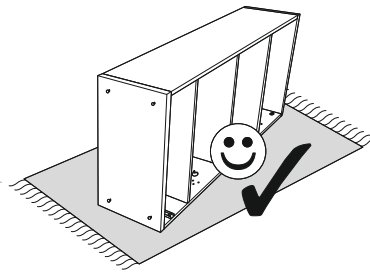
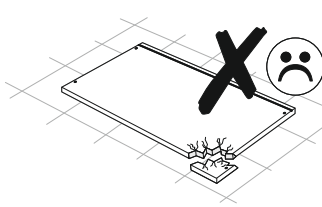
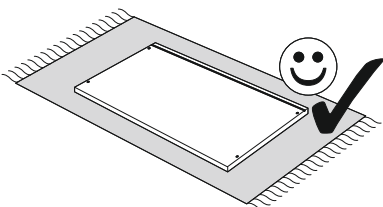
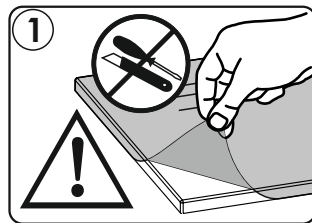
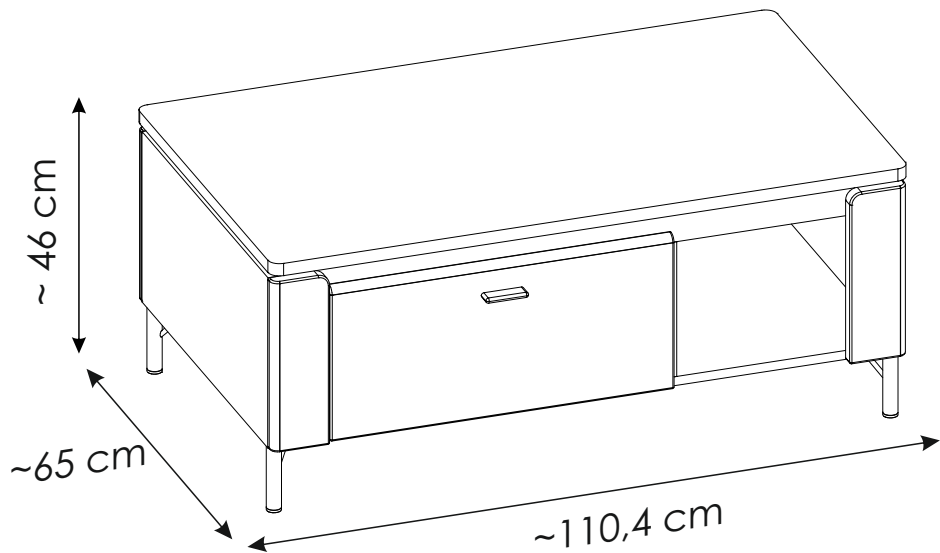
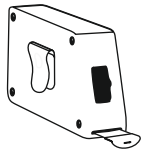
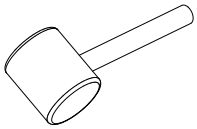


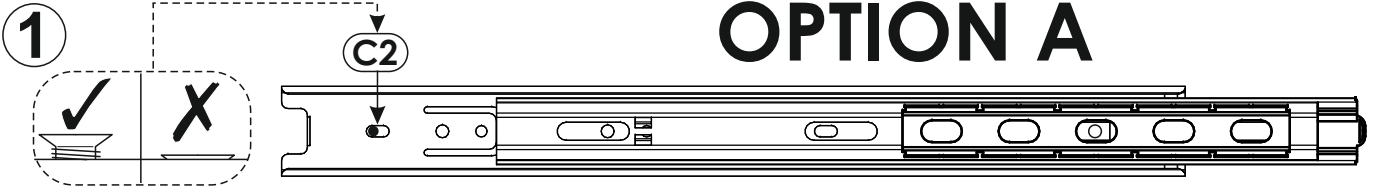
LAZT01



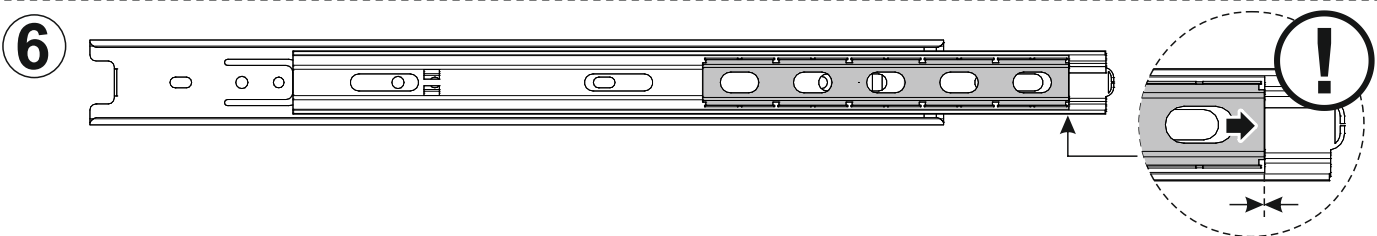
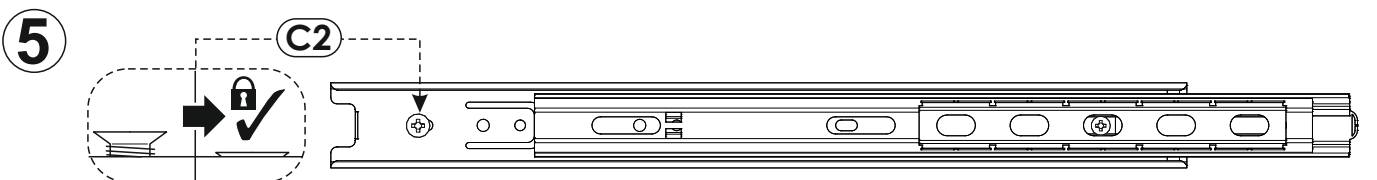
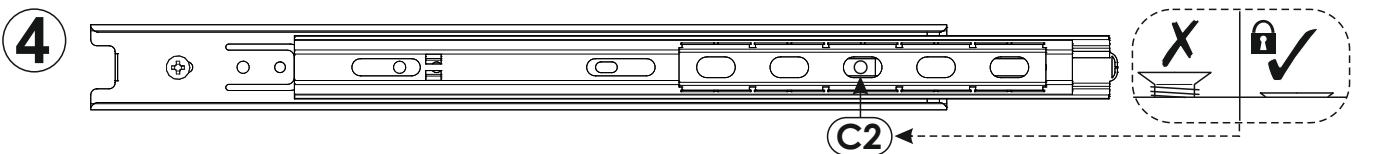
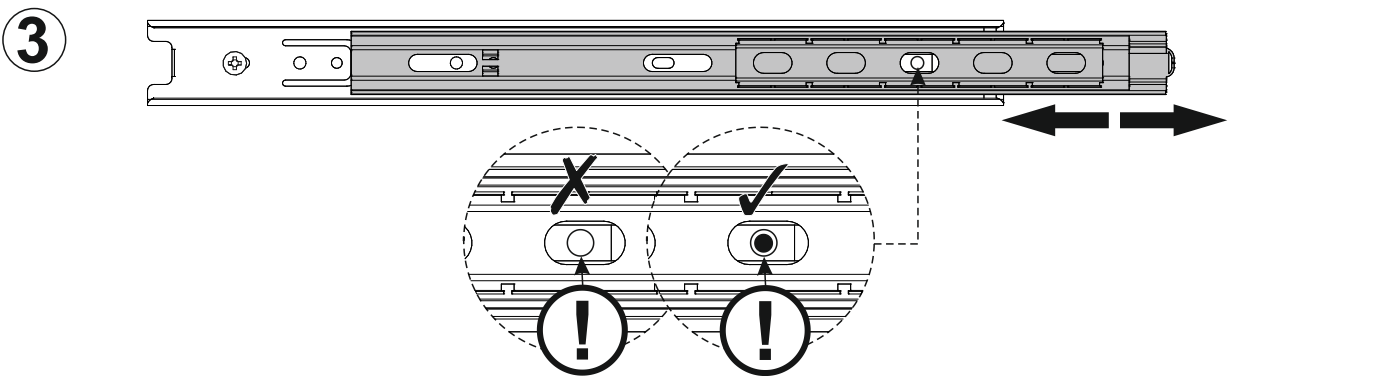
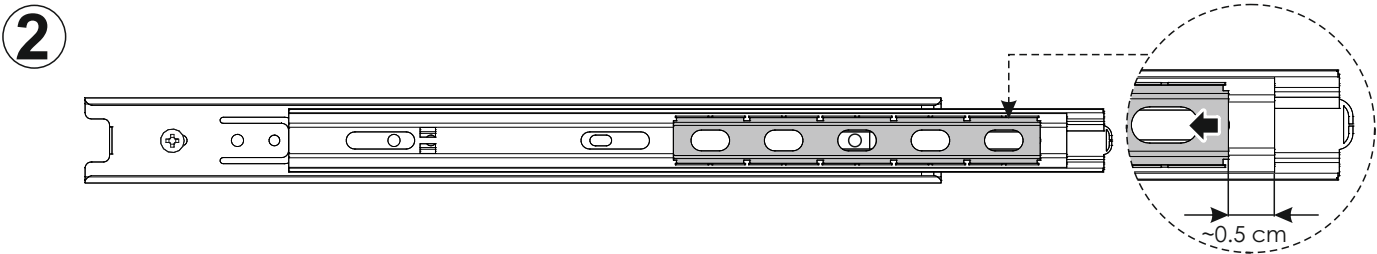


LAZT01

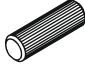

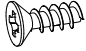
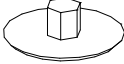

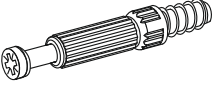


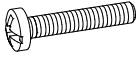
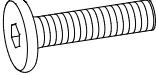
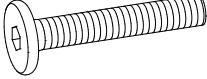
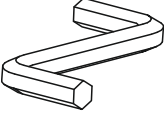




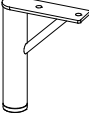

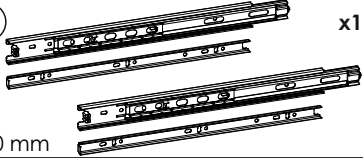
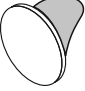
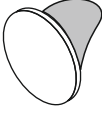
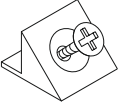
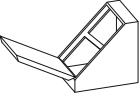
OPTION A

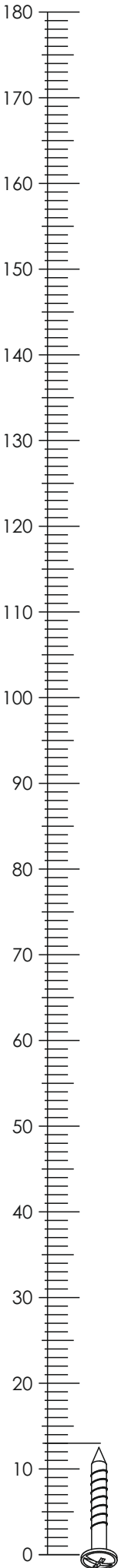


OPTION B

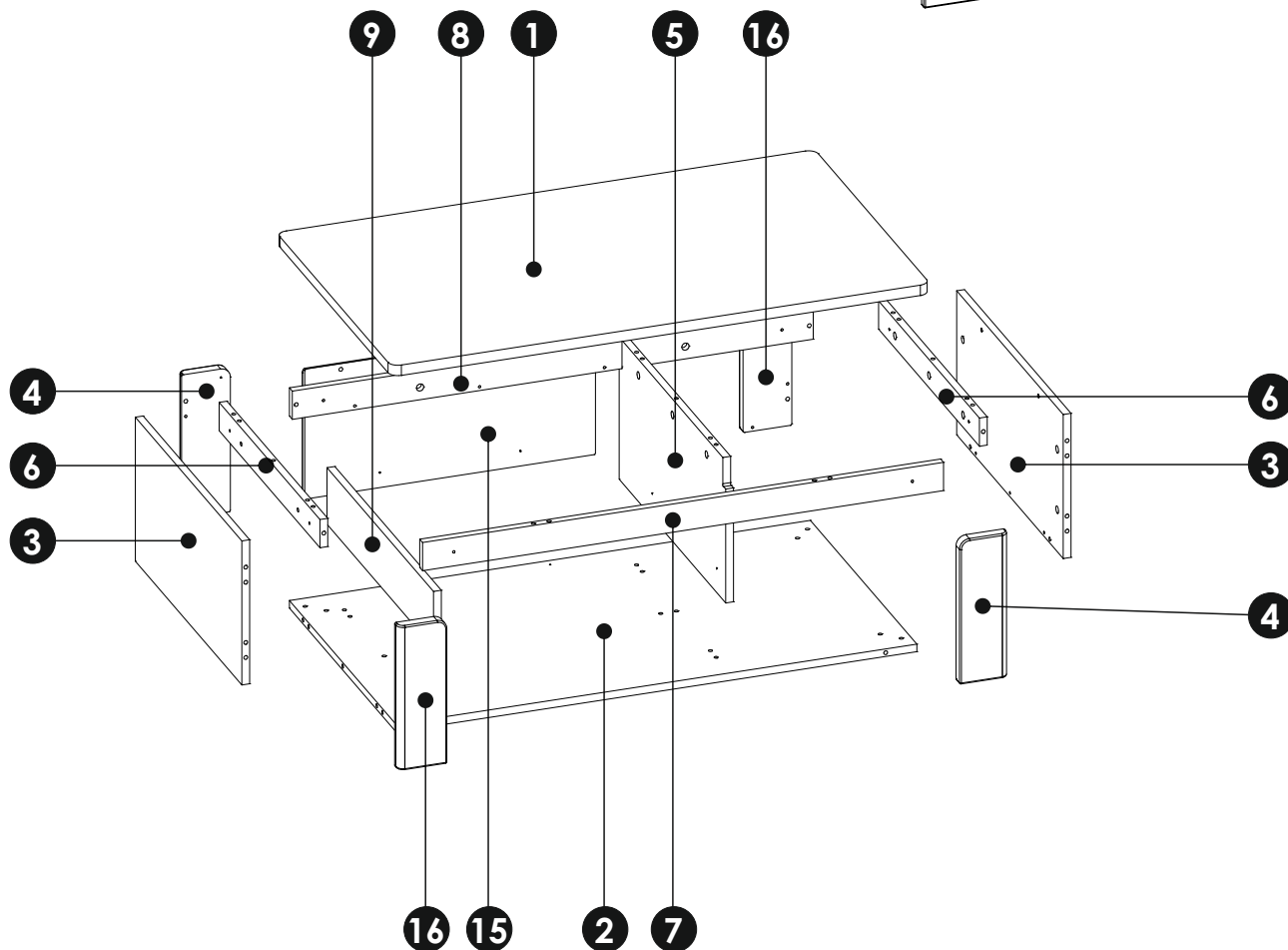
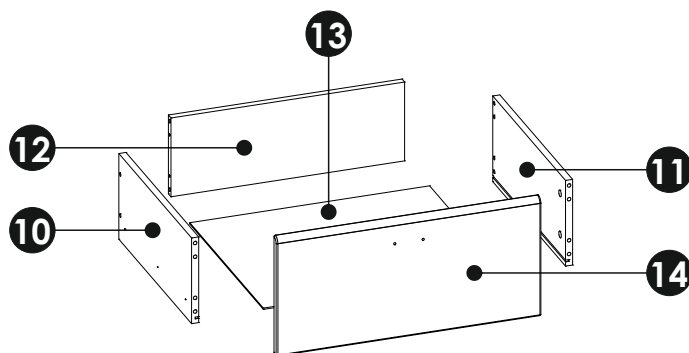
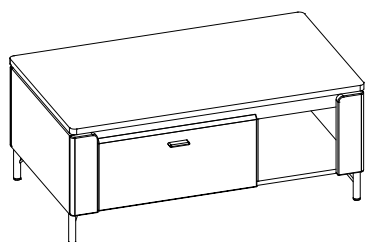


LAZT01

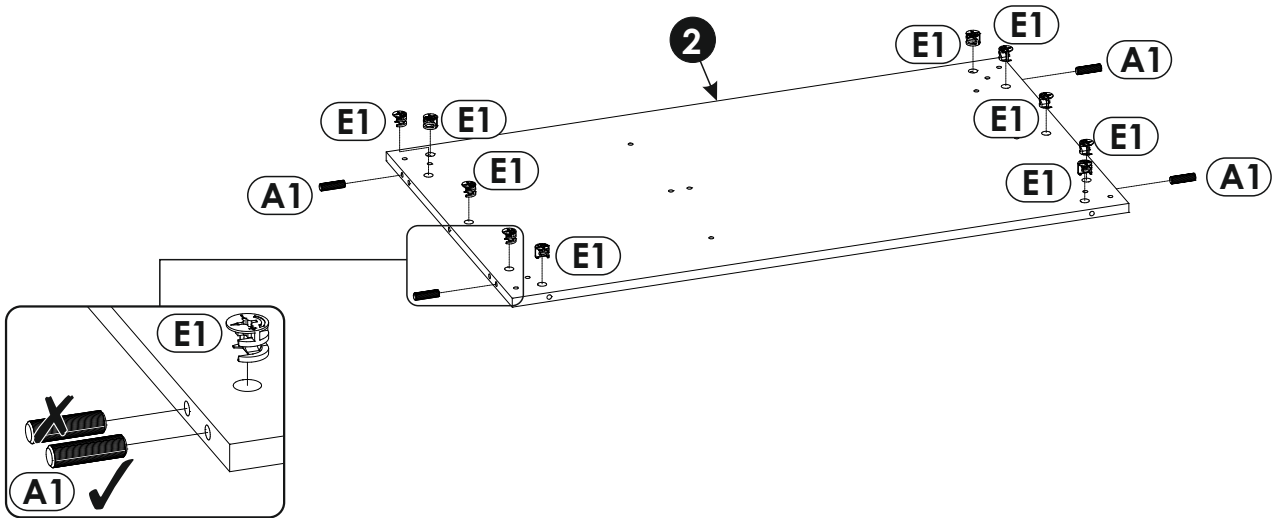
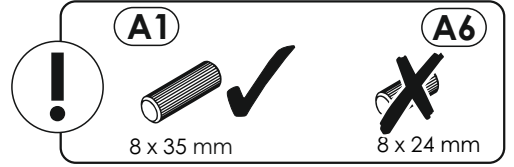
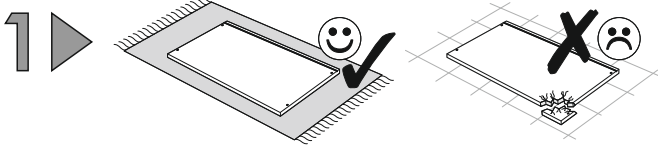
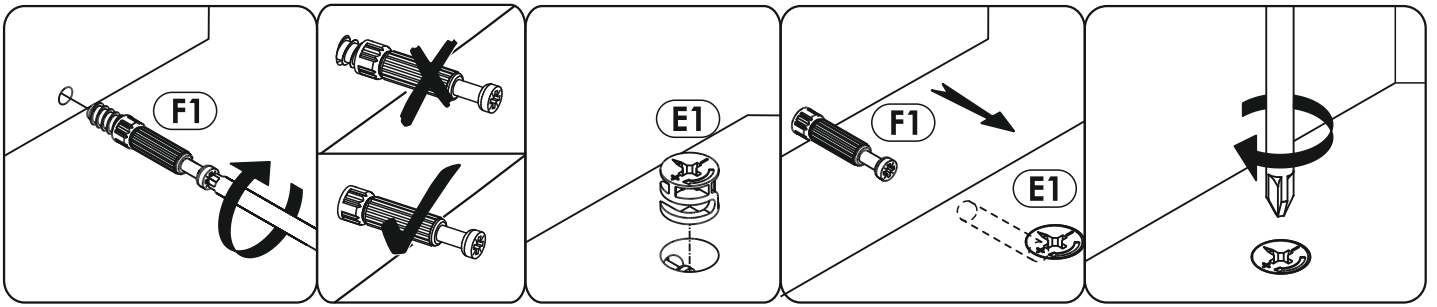
A1 8 x 35 mm x38 	A6 8 x 24 mm x6 	C2 5 x 13 mm x4 
E0 Ø16 x8 	E1 15 x 12 mm x35 	F1 6 x 34 mm x35 
G1 7 x 50 mm x10 	H1 L - 74 mm x1 	K7 4 x 22 mm x2 
K17 6 x 20 mm x8 	K18 6 x 35 mm x1 	M x1 
N1 3 x 16 mm x5 	N5 3,5 x 16 mm x10 	N13 4 x 25 mm x3 
N14 4 x 30 mm x9 	O12 x4 	O13 x1 
PW L - 450 mm x1 	P16 x4 Ø14 	P17 x5 Ø20 
R4 x1 	W x2 	

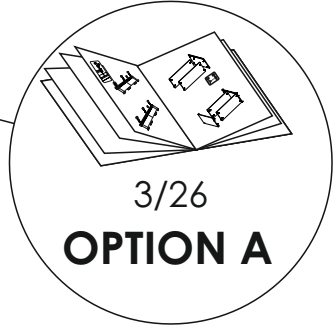
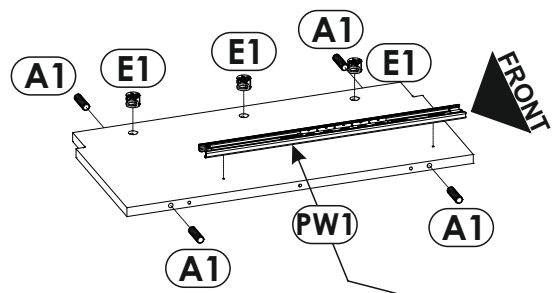
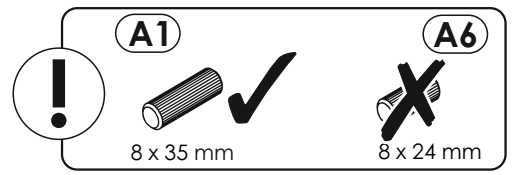
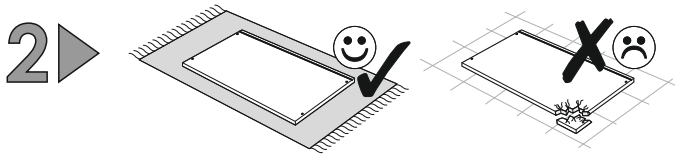
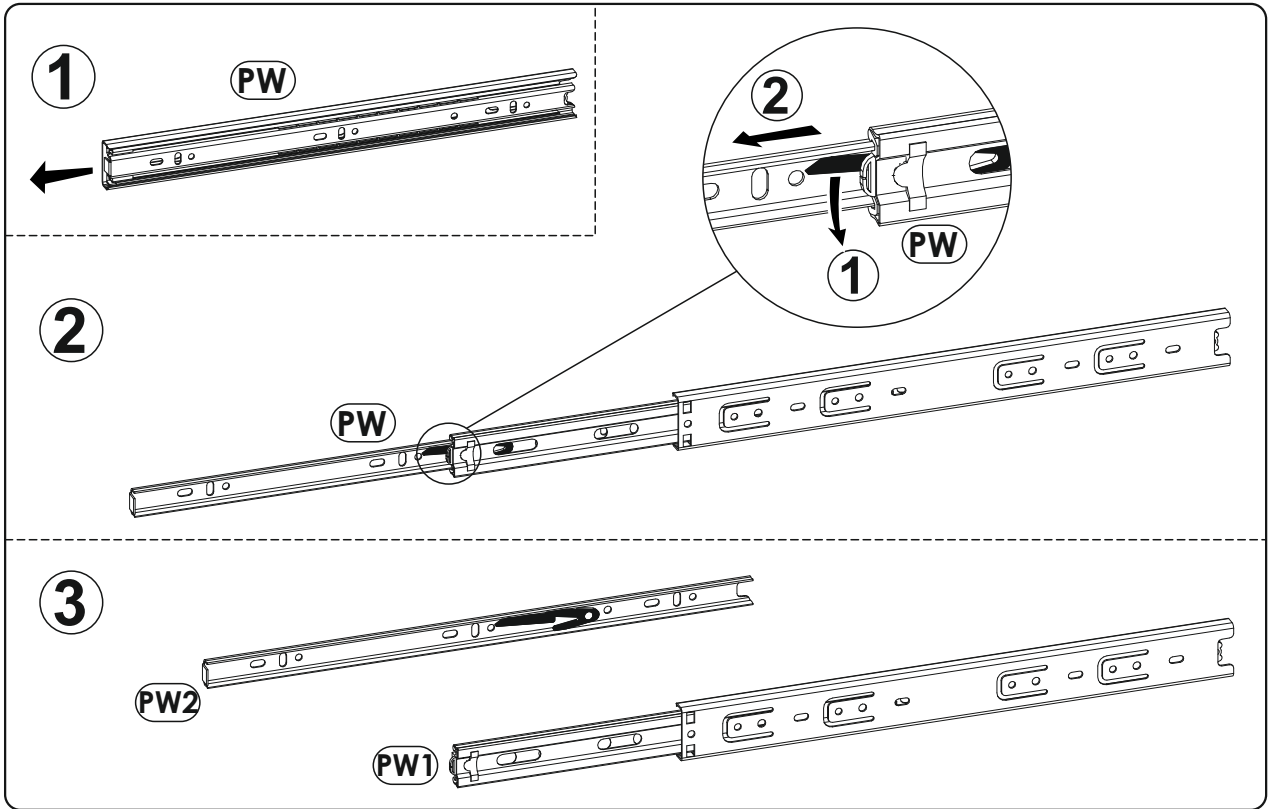


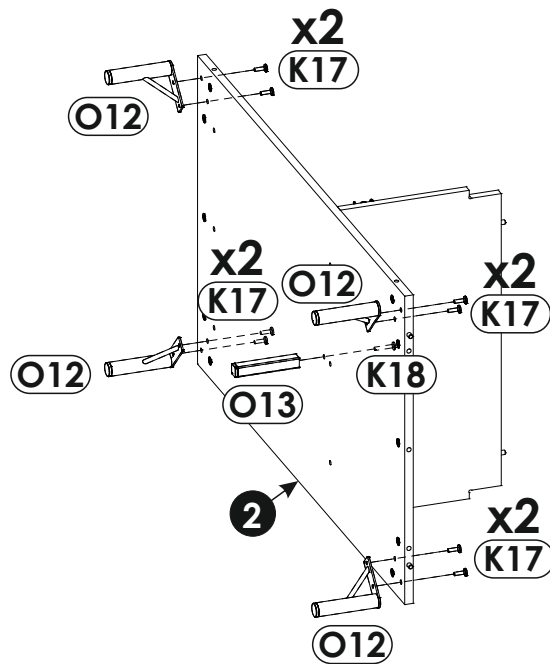
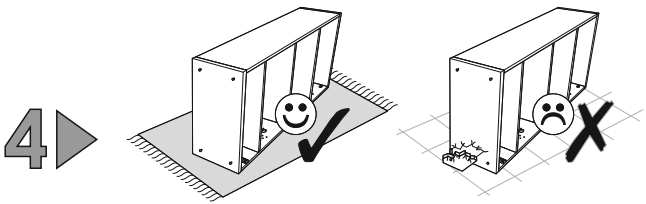
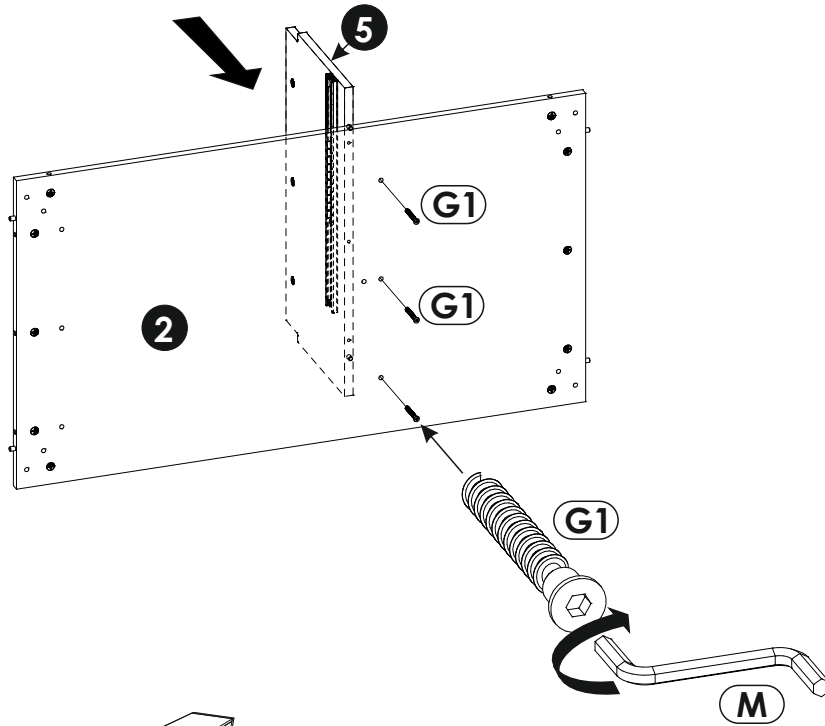
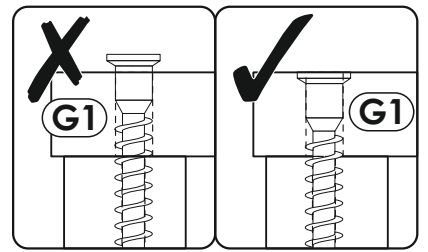
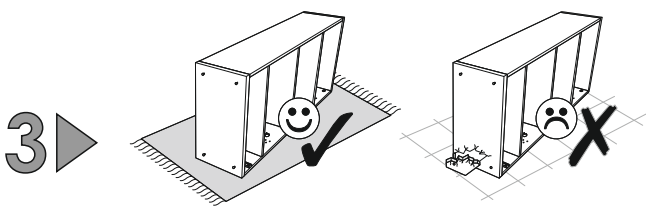
LAZT01



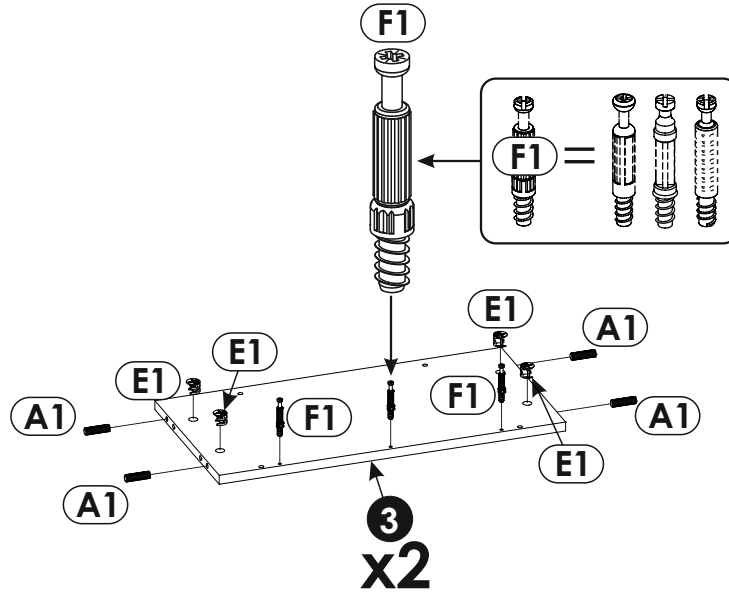
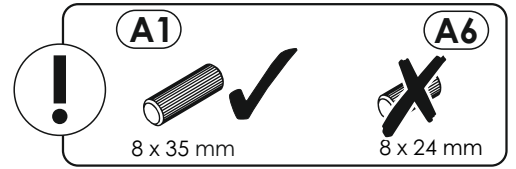
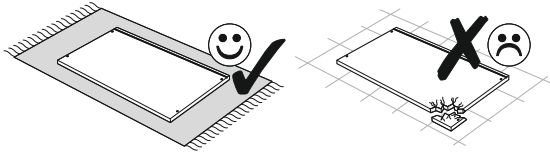
1	1104	650	22	x1	2/2	9	600	120	16	x1	1/2
2	1068	600	16	x1	2/2	10	450	200	16	x1	2/2
3	306	600	16	x2	1/2	11	450	200	16	x1	2/2
4	306	100	22	x2	1/2	12	526	184	16	x1	2/2
5	302	600	16	x1	1/2	13	540	455	3	x1	1/2
6	568	60	16	x2	2/2	14	596	276	16	x1	1/2
7	1068	60	16	x1	2/2	15	596	276	16	x1	1/2
8	1068	60	16	x1	2/2	16	306	100	22	x2	1/2



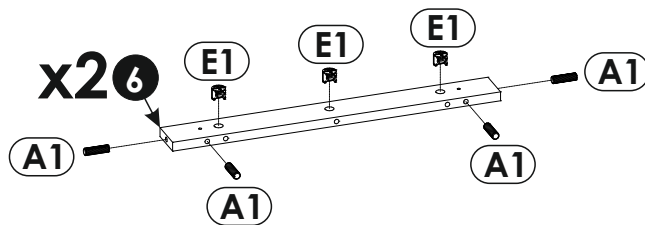
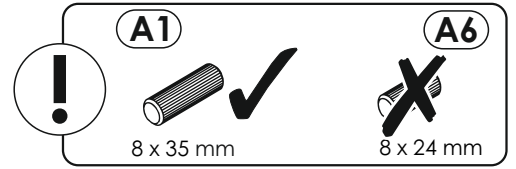
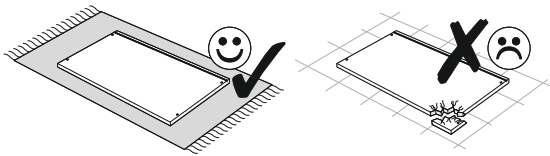


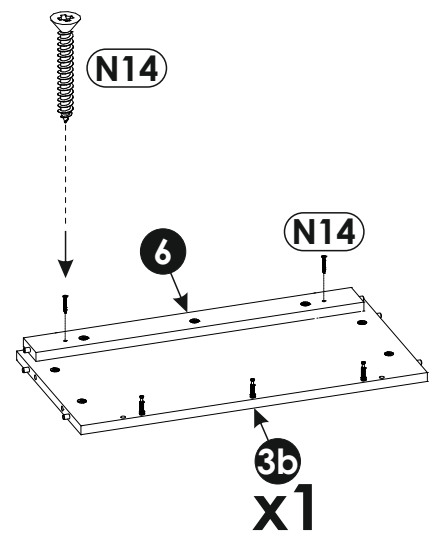
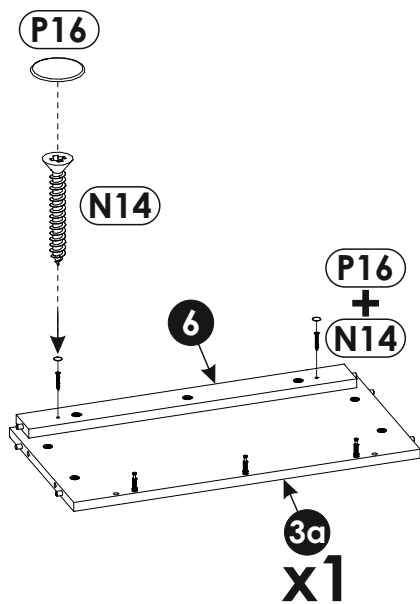
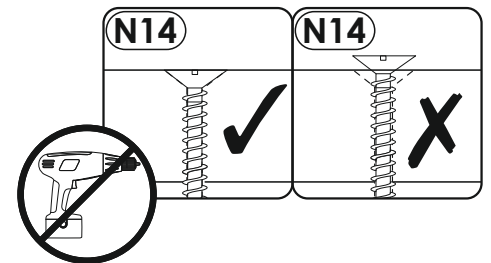
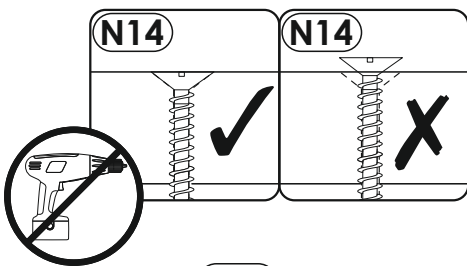
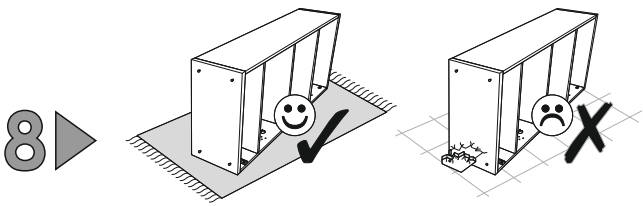
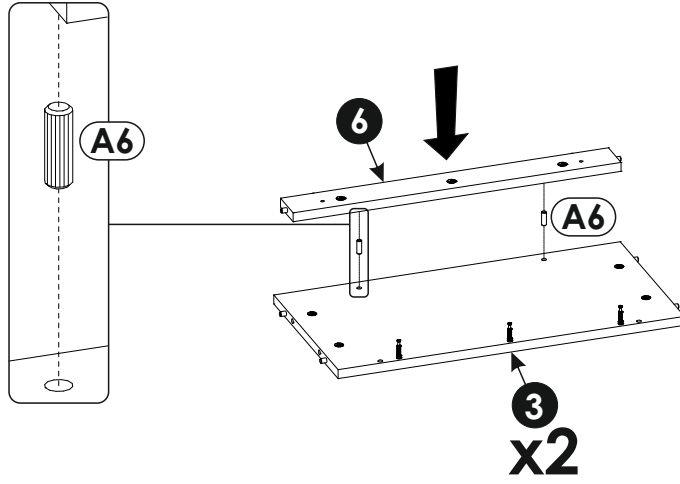
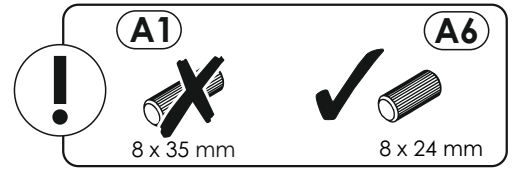
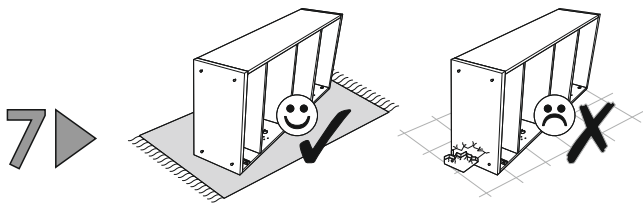


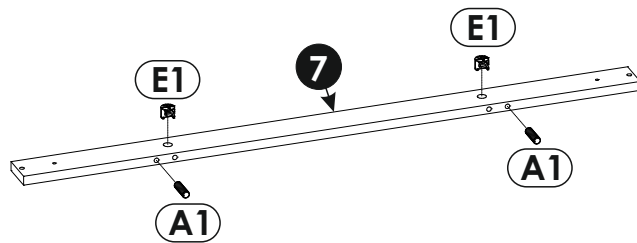
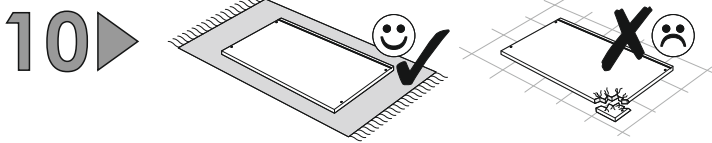
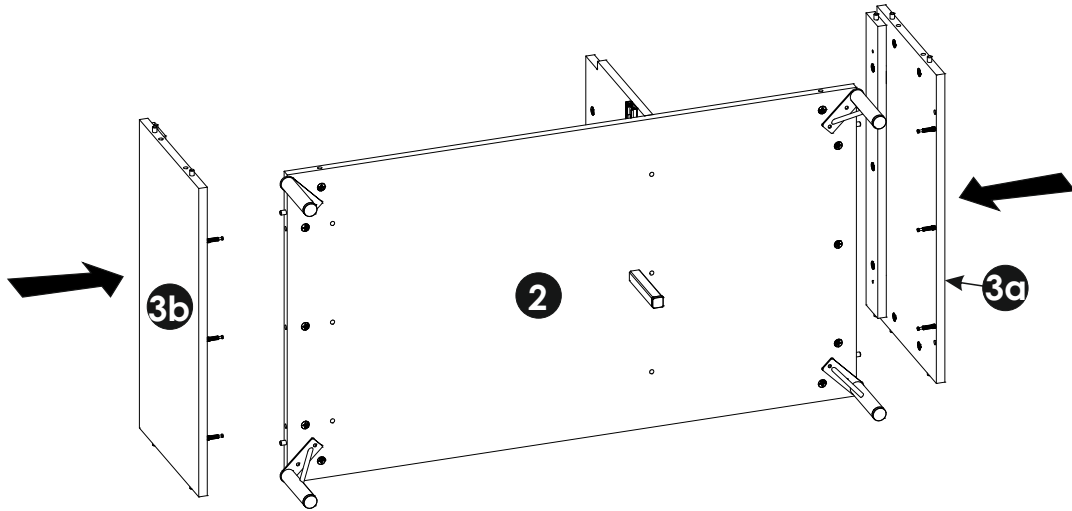
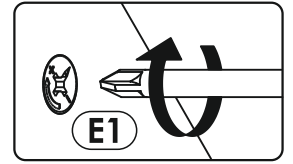
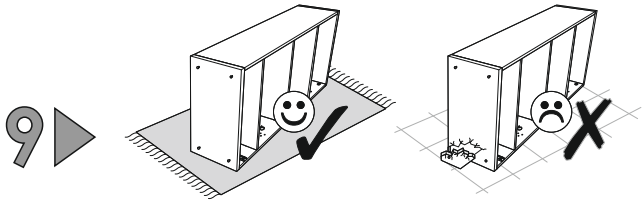
5 ▶



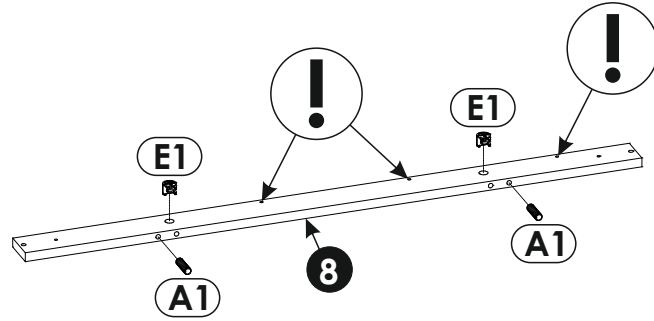
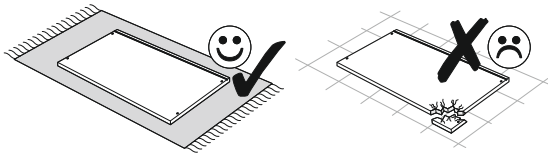
6 ▶



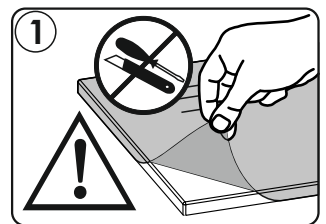
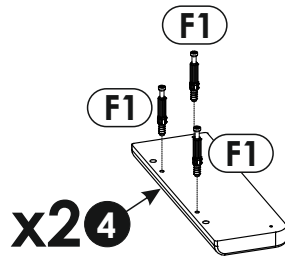
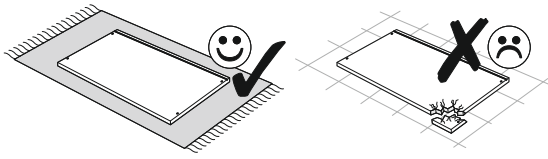




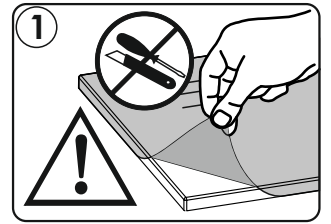
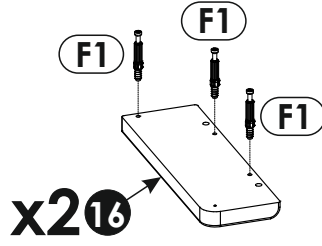
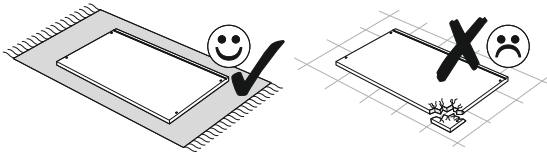
11 ▶



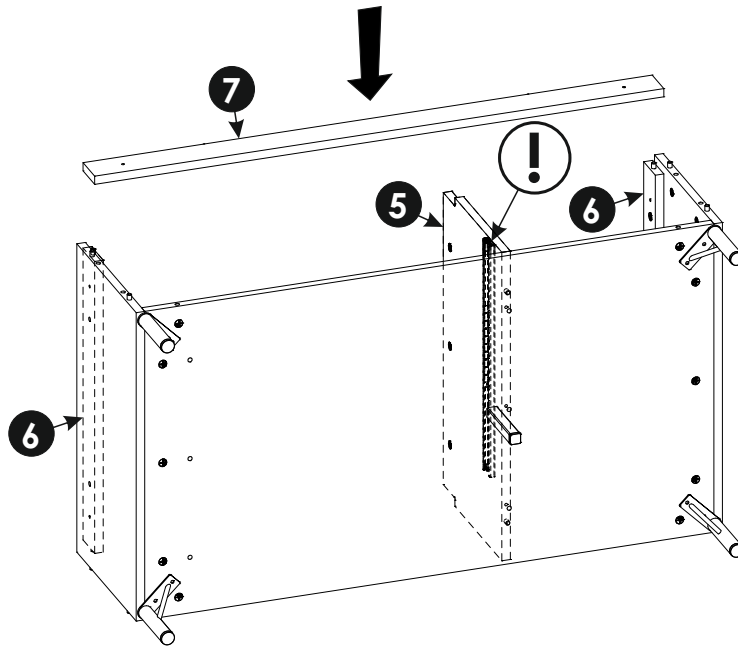
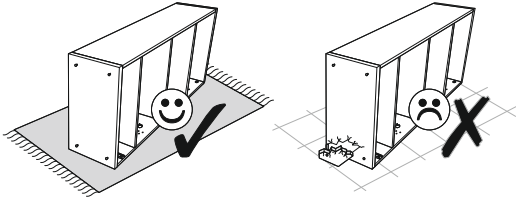
12 ▶



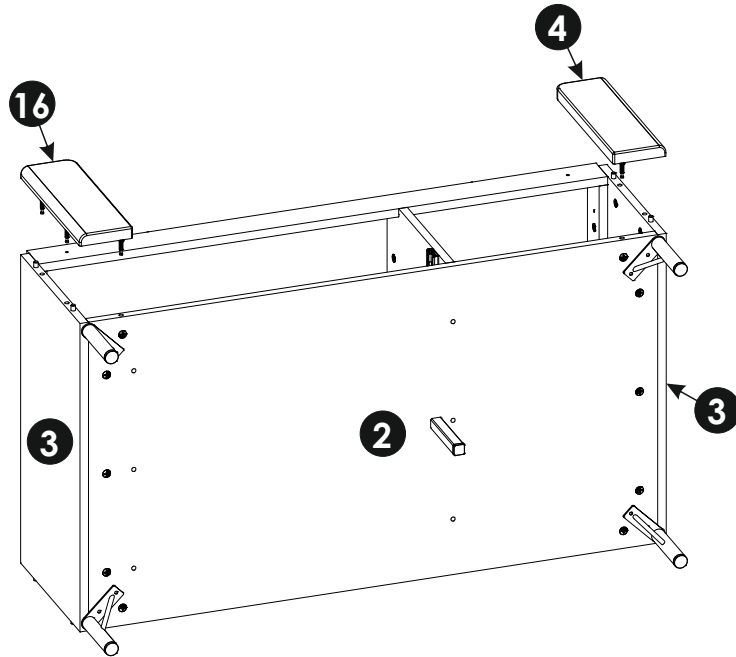
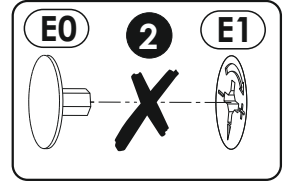
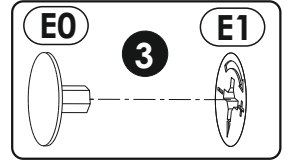
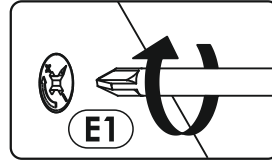
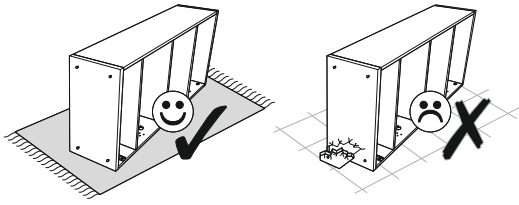
13▶



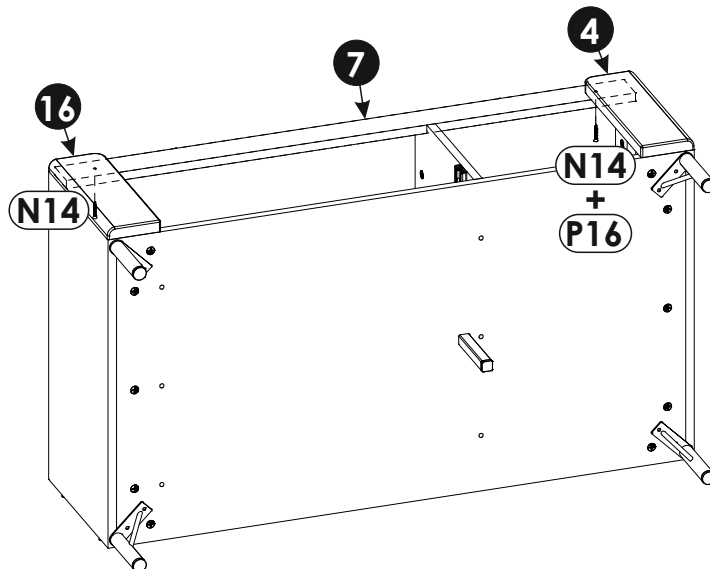
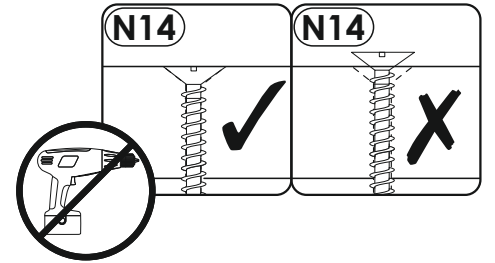
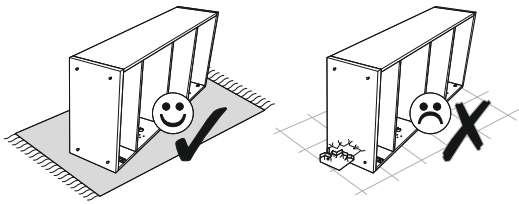
14▶

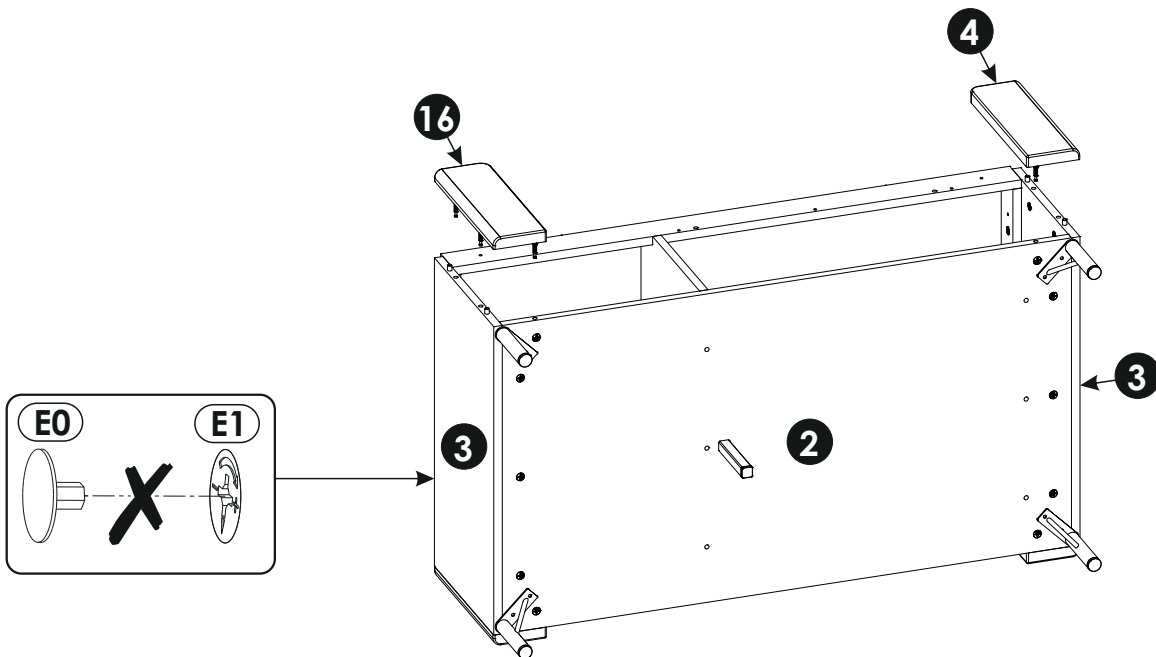
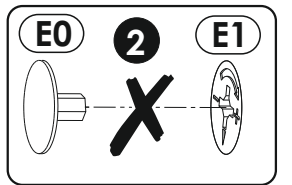
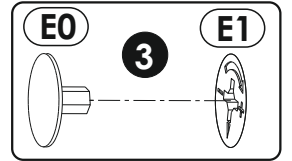
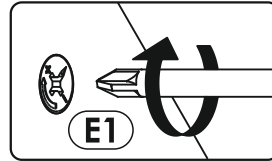
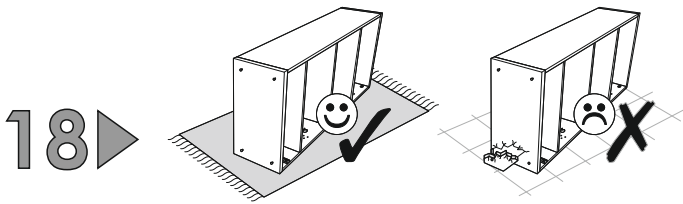
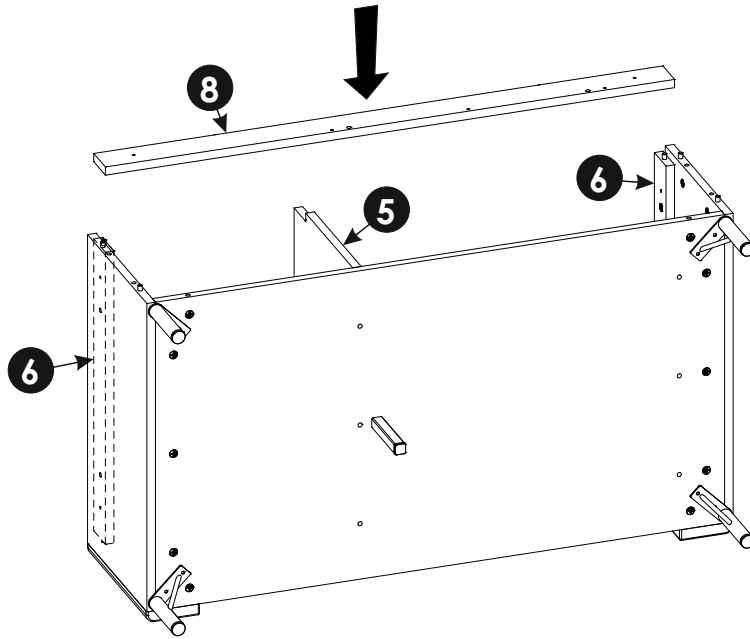
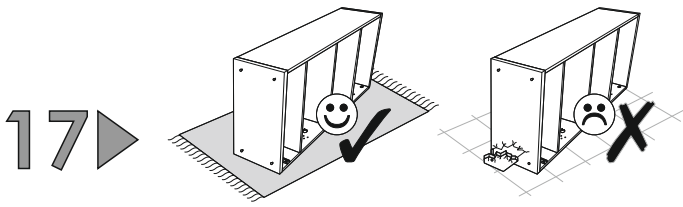


15 ▶

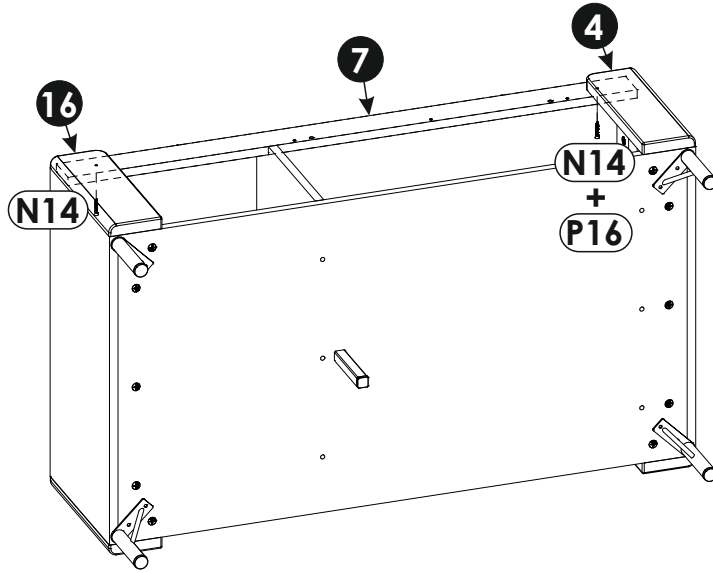
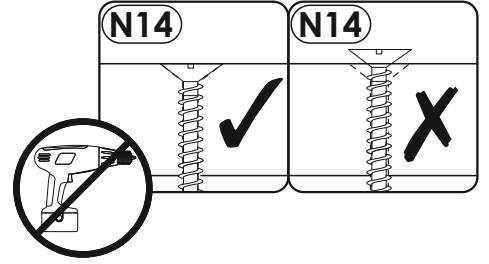
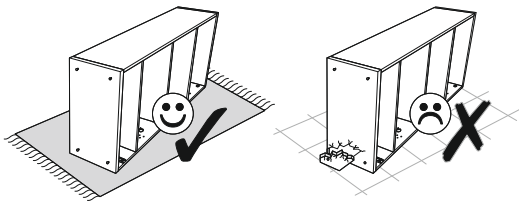


16 ▶

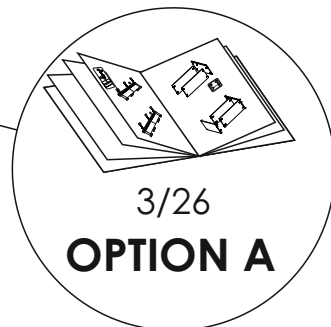
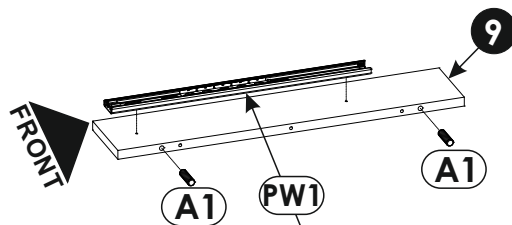
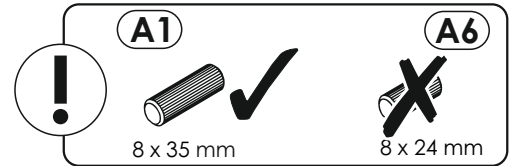
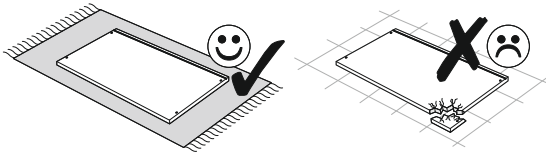




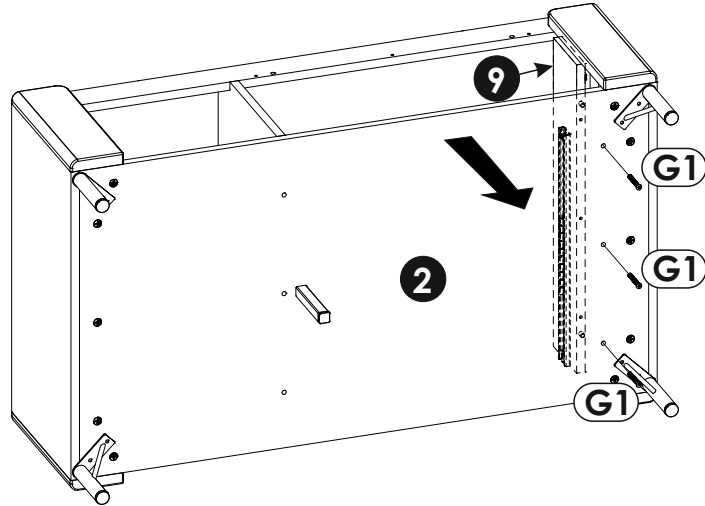
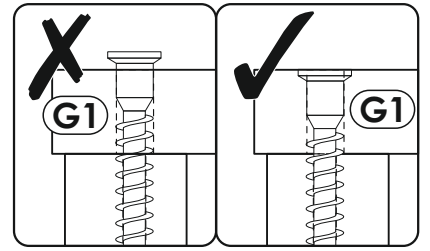
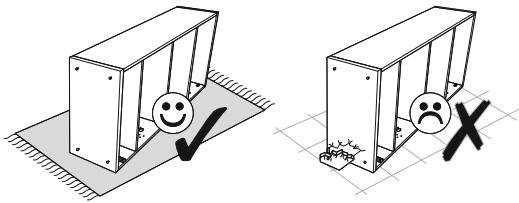
19 ▶



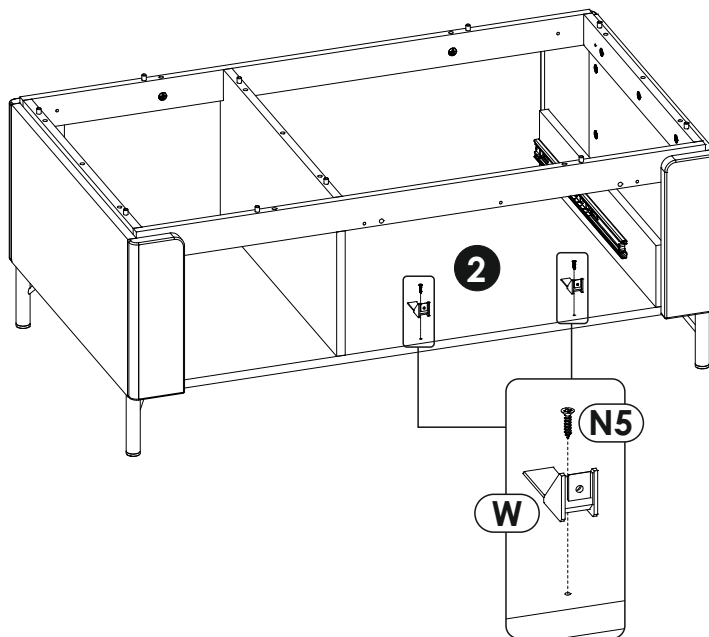
20 ▶



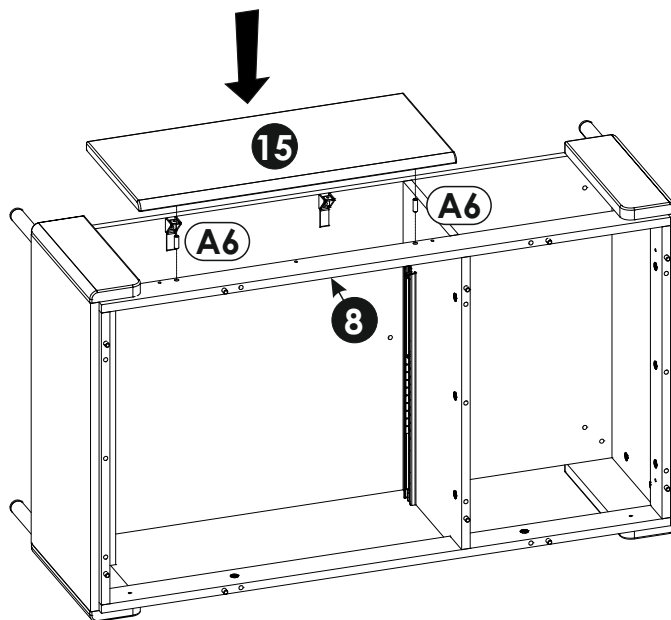
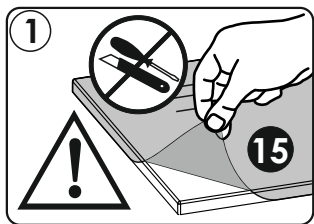
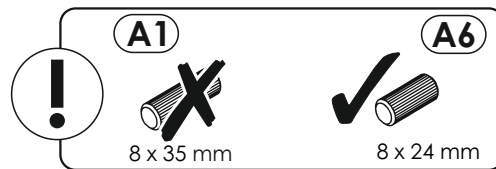
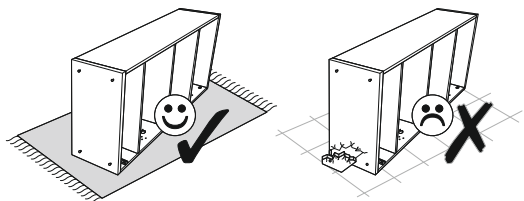
21 ▶



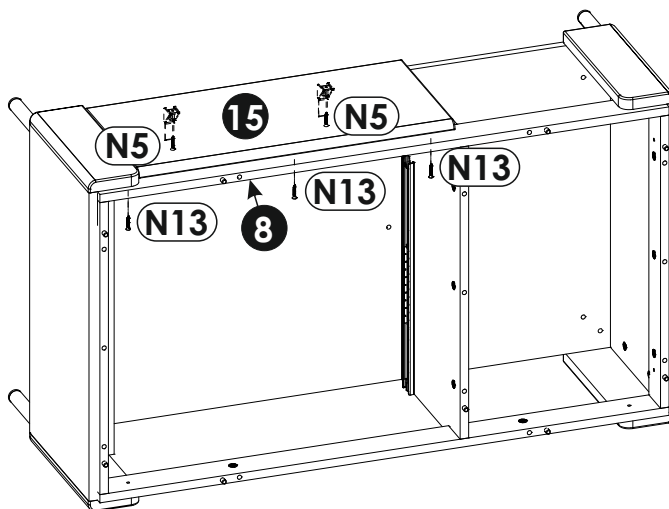
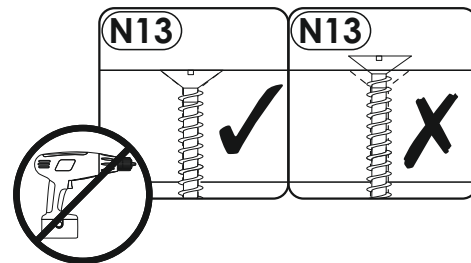
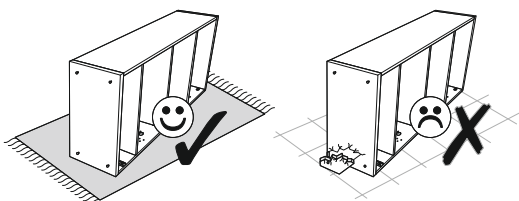
22 ▶



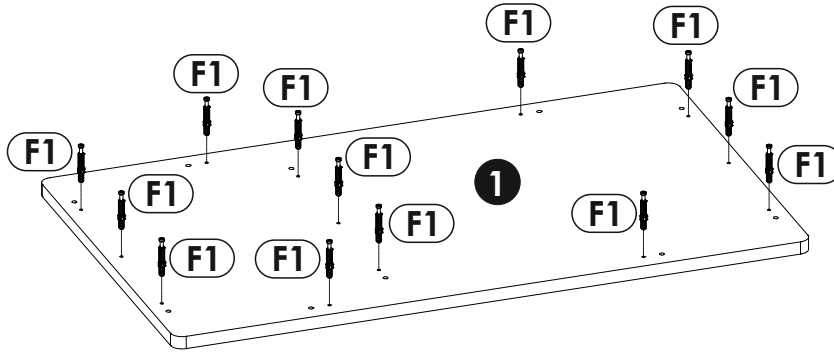
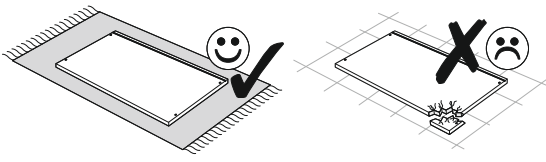
23 ▶



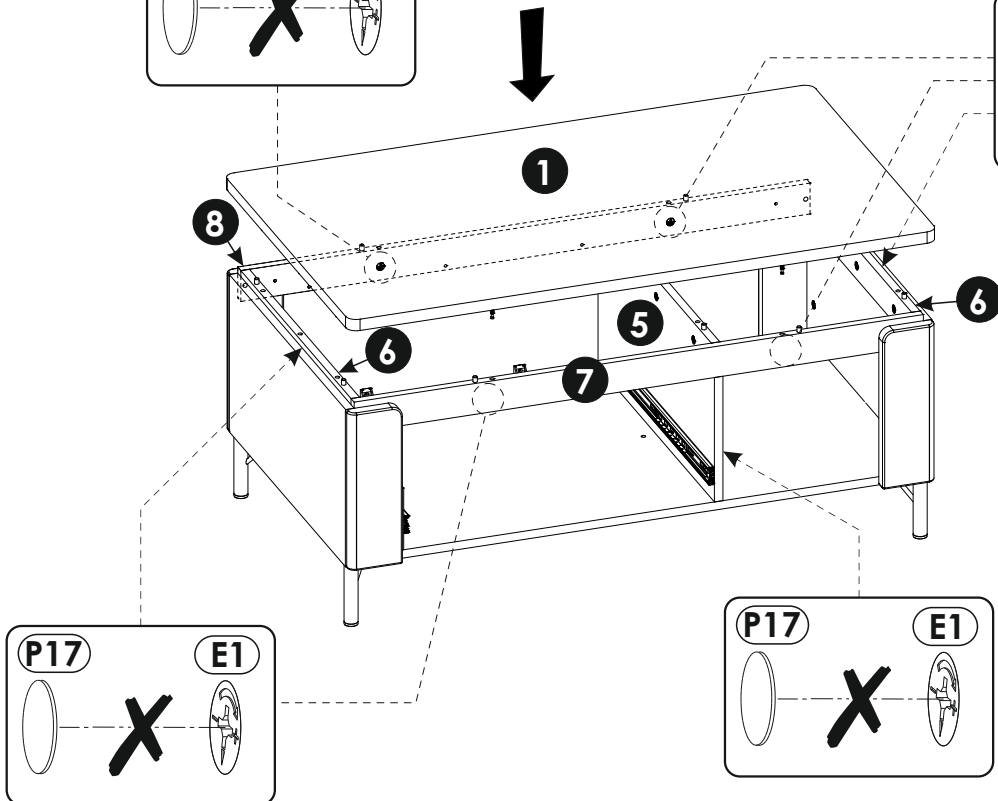
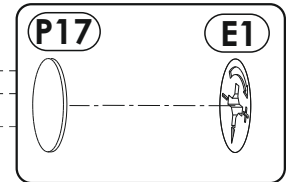
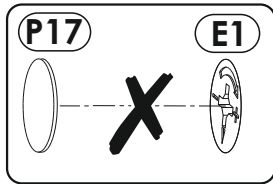
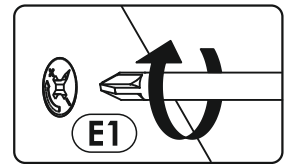
24 ▶



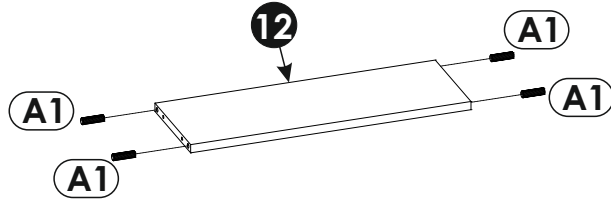
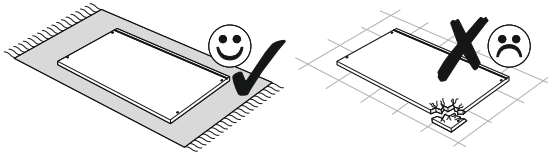
25 ▶



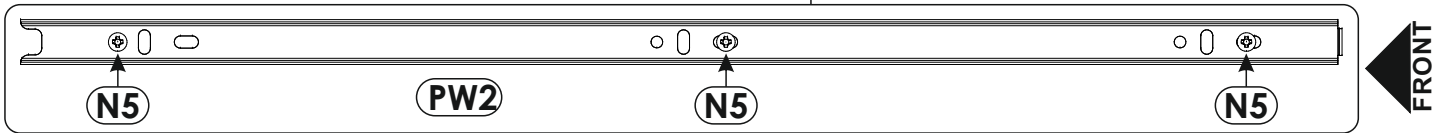
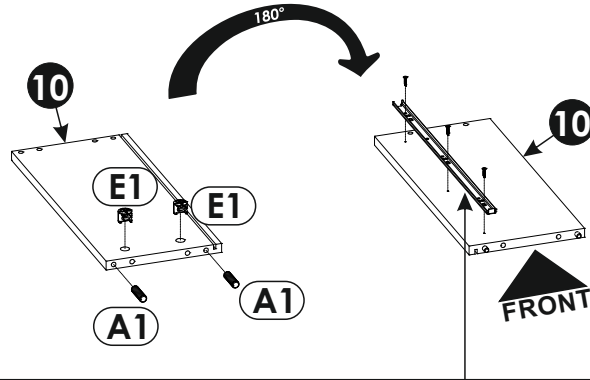
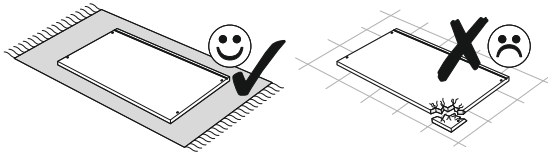
26 ▶



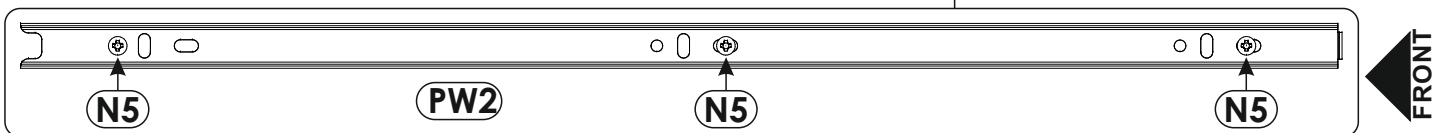
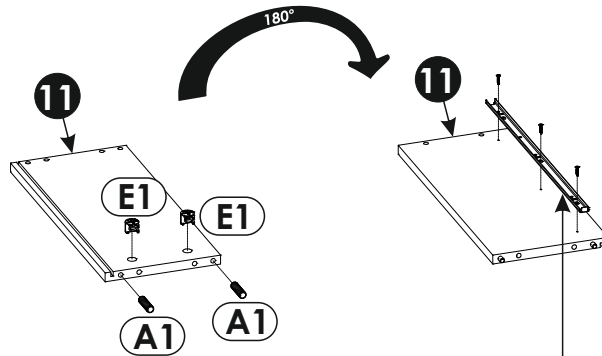
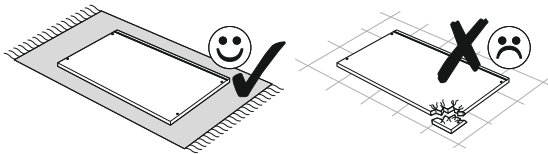
27 ▶



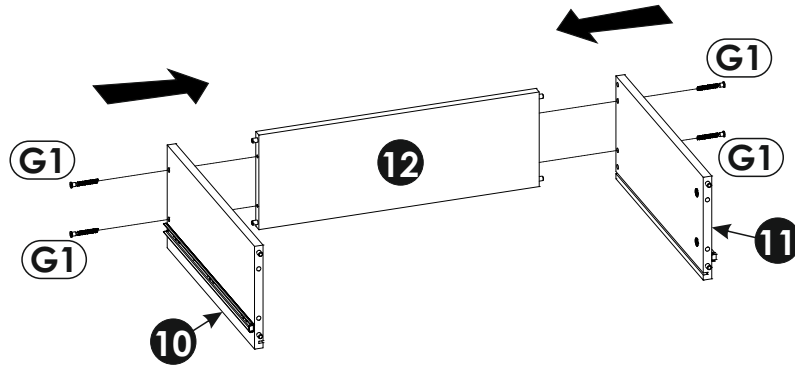
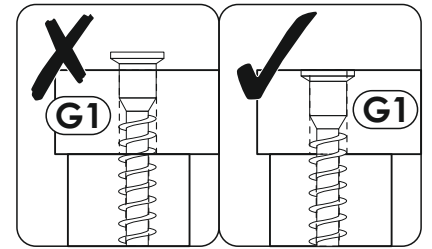
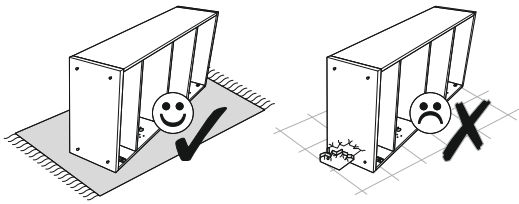
28 ▶



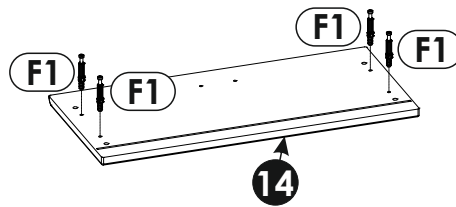
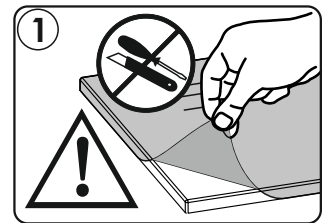
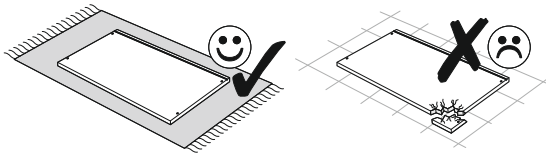
29 ▶



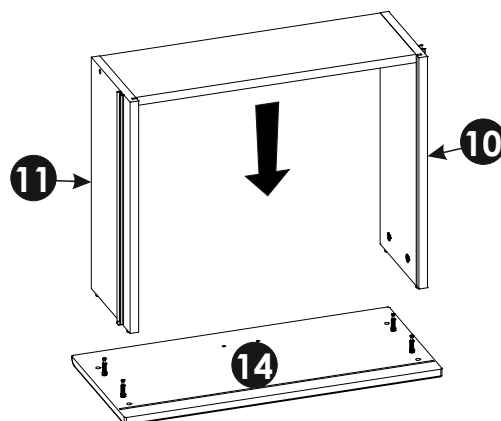
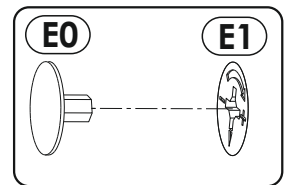
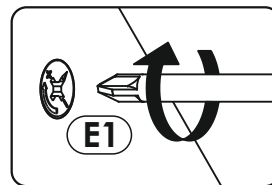
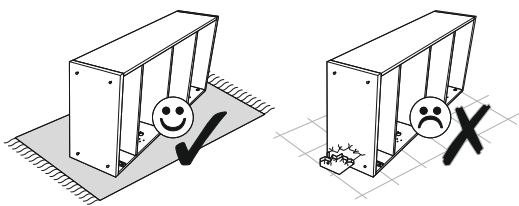
30 ▶



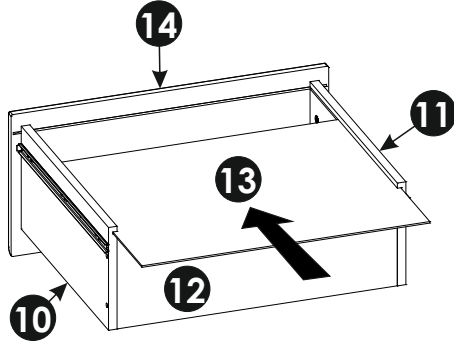
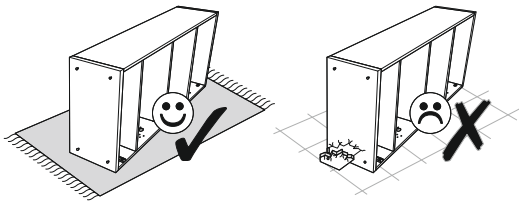
31 ▶



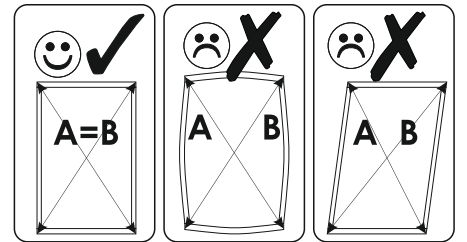
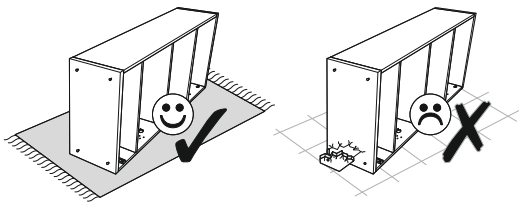
32 ▶



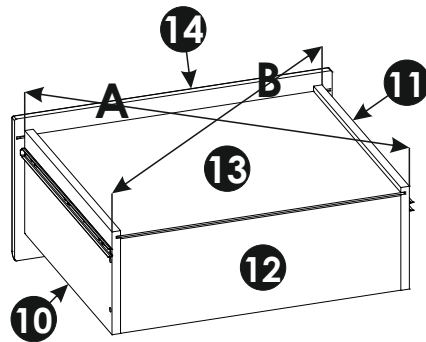
33 ▶



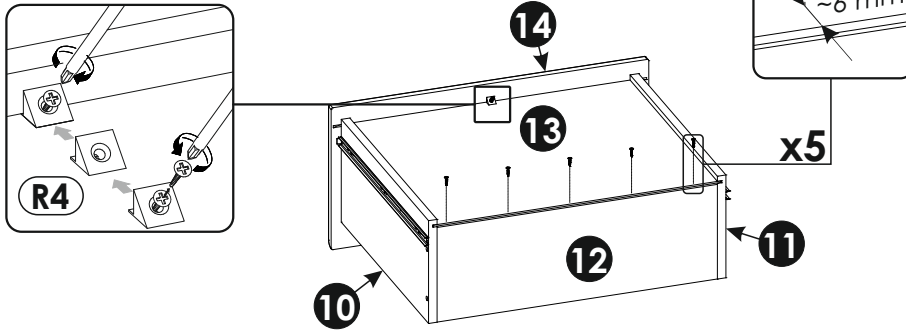
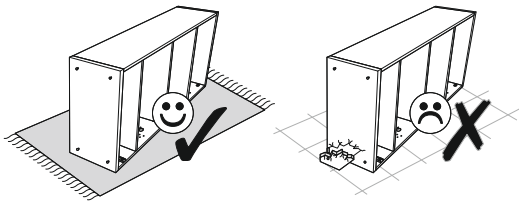
34 ▶



A=B



35 ▶



36 ▶

